

The Veritas® Small-Blade Holder allows you to effectively and safely sharpen small blades, such as those found on most spokeshaves (including the Veritas® Low-Angle Spokeshave, 05P32.01), instrument makers planes, etc. The blade is securely held in place by two powerful rare-earth magnets and an adjustable stop block. The small-blade holder transforms your small blade into a much larger one so it can be adequately held for sharpening, either by hand or by mounting in a honing guide. The included spacer and long machine screw allow it to be used with the Veritas® Angle Jig (part of the Veritas® Sharpening System, 05M02.10).

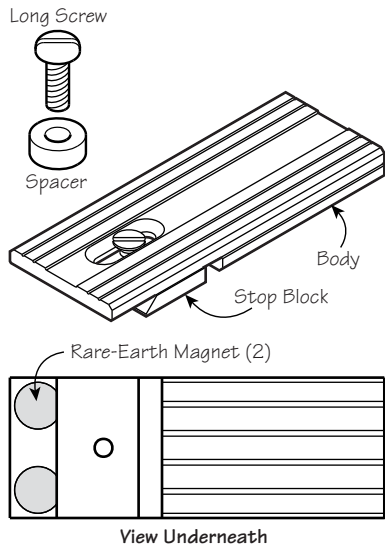


Figure 1: Small-blade holder.

Instructions

Position your blade on the holder as shown in **Figure 2**, with the bevel down and the cutting edge projecting approximately 1/8". Loosen the screw securing the stop block. Slide the stop block forward until it contacts the back edge of the blade and tighten the screw. Subsequent sharpening of the same blade will not require this set-up; just locate the blade on the holder and slide it back until it makes contact with the stop block.

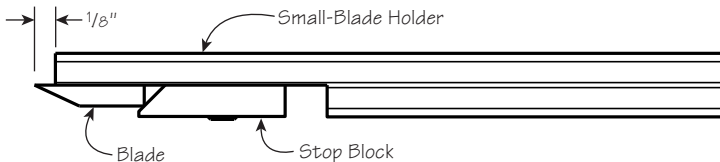


Figure 2: Positioning the blade.

Honing

When in the small-blade holder, the blade can be held either by hand or in a guide for sharpening. To use a honing guide, simply clamp the body of the small-blade holder in the guide as if it were a large blade.

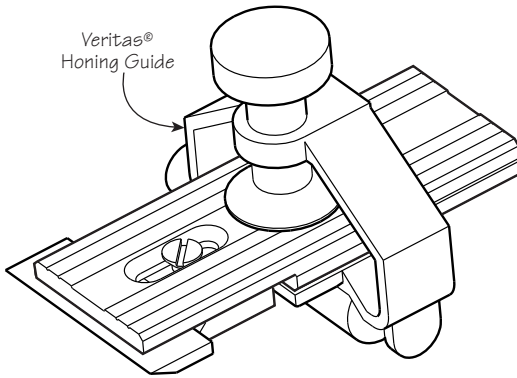


Figure 3: Clamping the small-blade holder in a honing guide.

Veritas® Sharpening System

The long machine screw and spacer provided allow the small-blade holder to be used with the Veritas® Sharpening System. Simply remove the knurled brass knob that clamps the pentagon wheel to the angle jig. Position the spacer between the angle jig base and the pentagon wheel and secure in place with the long machine screw. This arrangement will lift the pentagon wheel off the base to accommodate the thickness of the small-blade holder body so that the sharpening angle can be accurately set.

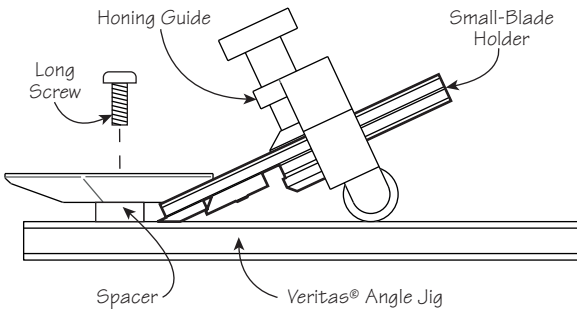


Figure 4: Using the small-blade holder with the sharpening system.

veritas® Tools Inc.

814 Proctor Avenue 1090 Morrison Drive
Ogdensburg NY 13669-2205 Ottawa ON K2H 1C2
United States Canada

customerservice@veritastools.com
www.veritastools.com