

**RECORD POWER**  
ESTABLISHED 1909®

## Original Instruction Manual

# PT310 12" x 8" Heavy Duty Planer Thicknesser

Version 3.1  
January 2020



To register this product please visit  
**[www.recordpower.info](http://www.recordpower.info)**

It is important to register your product as soon as possible in order to receive efficient after sales support and be entitled to the full **5 year guarantee**. Your statutory rights are not affected. Please see back cover for contact details.



Always wear safety glasses when using woodworking equipment.



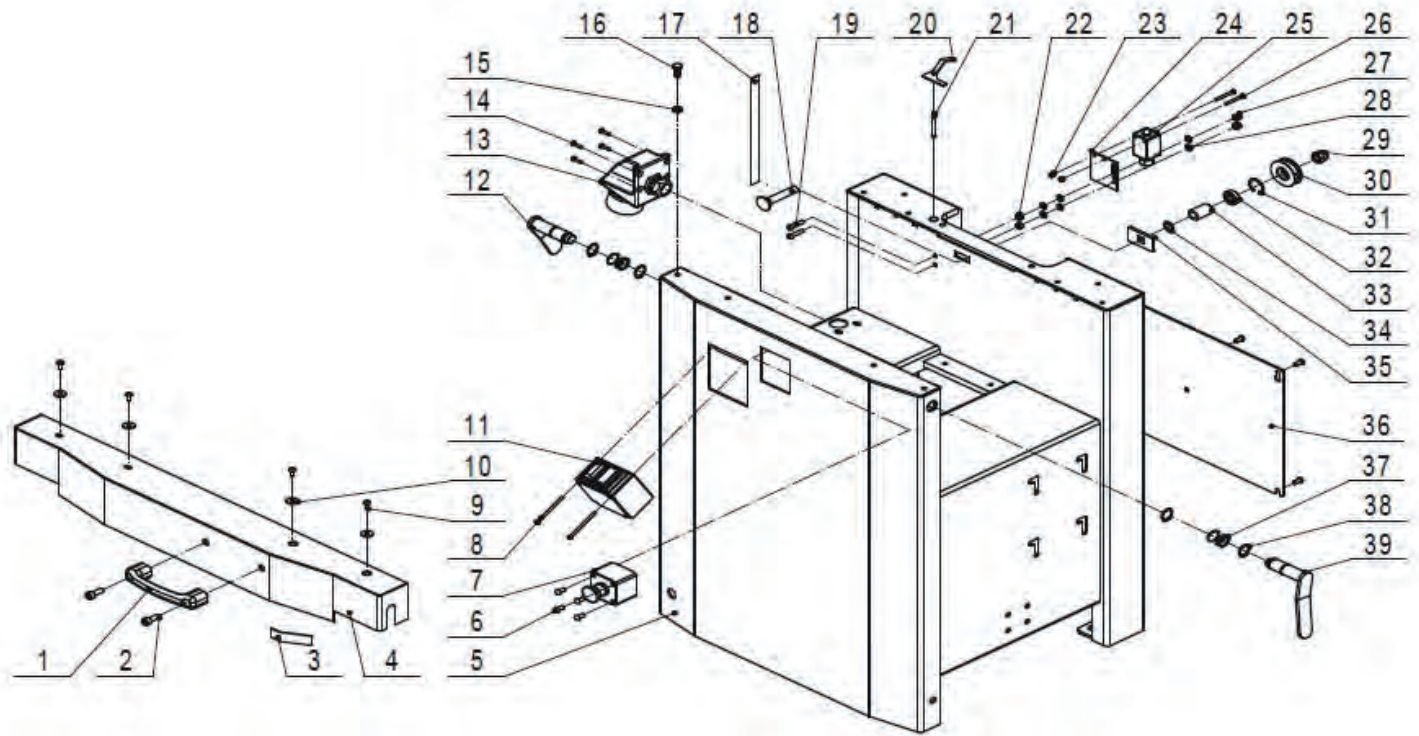
Always read the instructions provided before using woodworking equipment.

### Important

For your safety read instructions carefully before assembling or using this product.

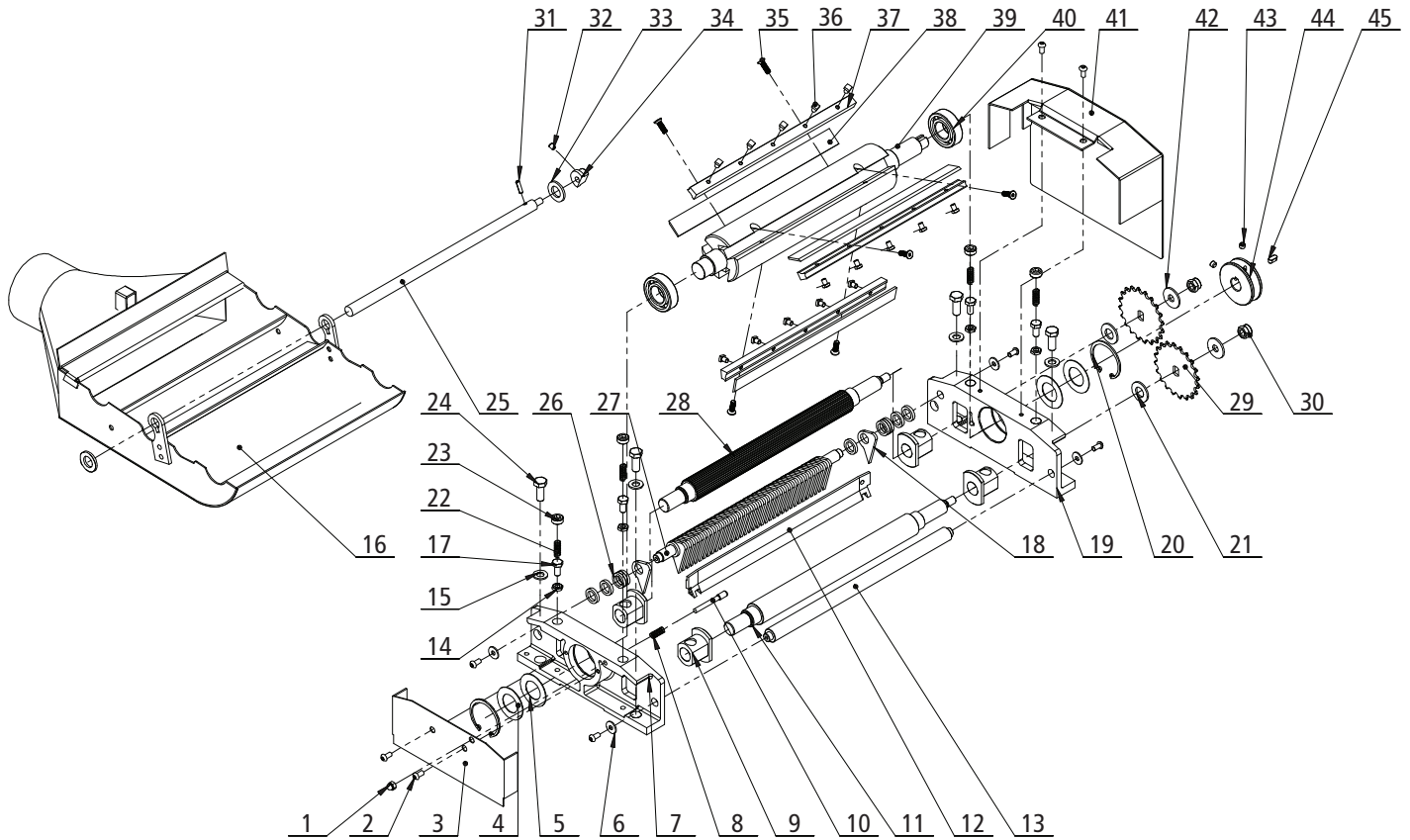
Save this manual for future reference.

# 15. Parts Lists & Diagrams



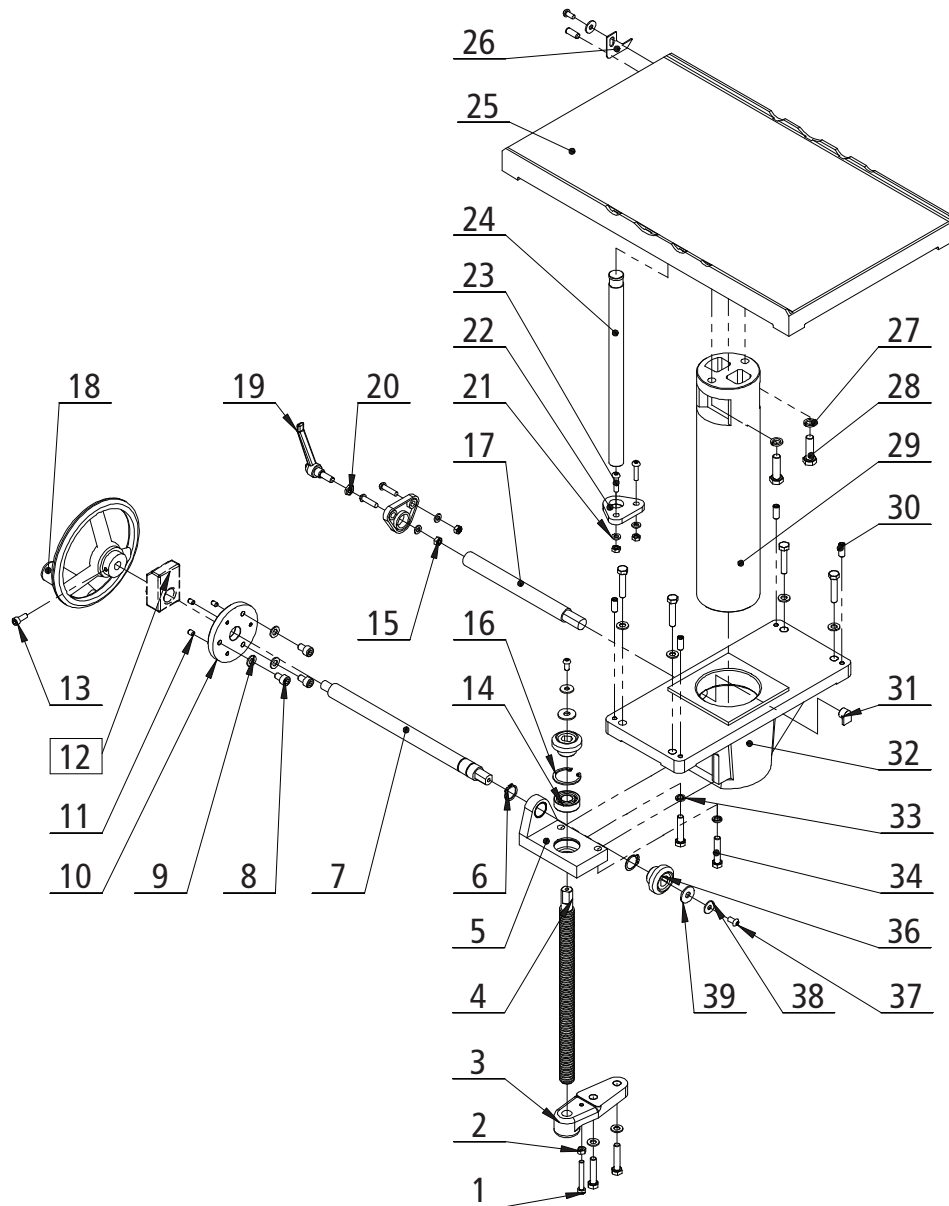
No.	Description	Part Number	Quantity	No.	Description	Part Number	Quantity
1	Handle	JL45030030A	1	21	Rod	JL45090005	1
2	Hex Screw.	M8X20GB70B	2	22	Nut	M6GB41Z	2
3	Label	JL45030031B	1	23	Locknut	M4GB889Z	2
4	Left cover	JL45032000B	1	24	Switch plate	JL45090004	1
5	Frame	JL45010000D	1	25	Switch	QKS7	1
6	Pan screw	M4X10GB818Z	4	26	Pan screw	M4X30GB818Z	2
7	Switch	LA42JQT-02Z-01	1	27	Locknut	M6GB889Z	2
8	Pan screw	M4X60GB818Z	2	28	Plat washer	WSH6GB97D1Z	6
9	Screw	M6X12GB70D2B	8	29	Hexagonal locknut	WSH6GB97D1Z	1
10	Large Washer	WSH6GB96B	4	30	Idle pulley	JL45052001	1
11	Switch	KOA8C-10ZF/230V	1	31	Ring	CLP28GB893D1B	1
12	Handle	JL45030026	1	32	Bearing	BRG6001-2ZGB276	1
13	Plug	P224E-13A	1	33	Tube	JL45052002	1
14	Pan screw	M4X16GB823Z	4	34	Adjust cushion	JL40020004	1
15	Nut	M8GB6172Z	4	35	Plate	JL45052003	1
16	Ball head bolt	JL45030016	4	36	Window plate	JL45010004	1
17	Scale	JL45040019	1	37	Handle spring	JL45030032	2
18	Square neck bolt	M12X65GB801Z	1	38	Circlip	CLP20GB894D1B	4
19	Hex. Screw	M6X25GB70D2B	2	39	Handle	JL45030014	1
20	Plate	JL45090003	1				

# 15. Parts Lists & Diagrams



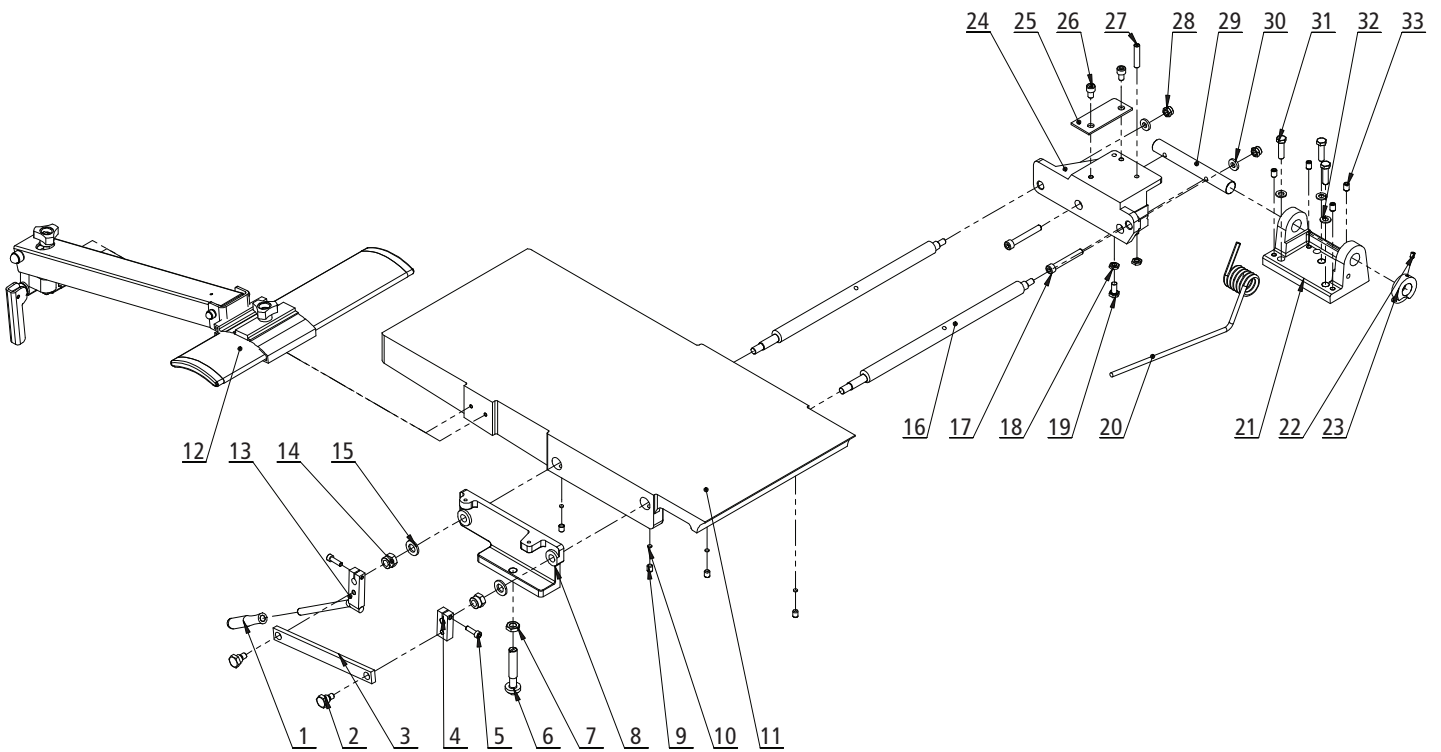
No.	Description	Part Number	Quantity	No.	Description	Part Number	Quantity
1	Cap nut	M6GB923Z	1	24	Hexagon bolt	M10X25GB5783B	4
2	Screw	M6X12GB70D2B	8	25	Rod	JL45020009	1
3	Inner guide	JL45030023	1	26	Bush	JL45020011	27
4	Wave washer	JL45020016	2	27	Rod	JL45020008	1
5	Washer	JL45020017	2	28	Infeed roller	JL45020005	1
6	Large washer	WSH6GB96B	4	29	Large chain wheel	JL45050003	2
7	Left cutter head bracket	JL45020002	1	30	Hexagonal self-locking nut	M10GB889Z	2
8	Spring	JL41025102	1	31	Pin	PIN5X18GB879B	1
9	Shaft sleeve	JL45020006	4	32	Set screw	M6X8GB77B	1
10	Location pin	JL45023001	1	33	Flat washer	WSH16GB97D1Z	2
11	Outfeed roller	JL45020007	1	34	Small eccentric wheel	JL45090002	1
12	Dust board	JL45020013	1	35	Hexagonal sunk screw	M6X20GB70D3B	6
13	Shaft	JL45020012	1	36	Square head screw	JL41010007	15
14	Nut	M8GB6172Z	4	37	Bar	JL45021003	3
15	Washer	WSH10GB97D1B	4	38	Knife	JL45021002	3
16	Dust collector	JL45022000	1	39	Cutter shaft	JL45021001	1
17	Hexagon bolt	M8X16GB5781Z	4	40	Bearing	BRG6205-DDUC3	2
18	Non-return block	JL45020010A	18	41	Right guard	JL45031000	1
19	Right cutter head bracket	JL45020001	1	42	Large washer	WSH10GB96Z	2
20	Retainer ring	CLP52GB893D1B	2	43	Set screw	M8X6GB77B	2
21	Washer	JL45051005	2	44	Belt pulley for cutter shaft	JL45050001	1
22	Spring	JL45020004	4	45	Flat key	PLN6X16GB1096	1
23	Screw	JL45020003	4				

# 15. Parts Lists & Diagrams



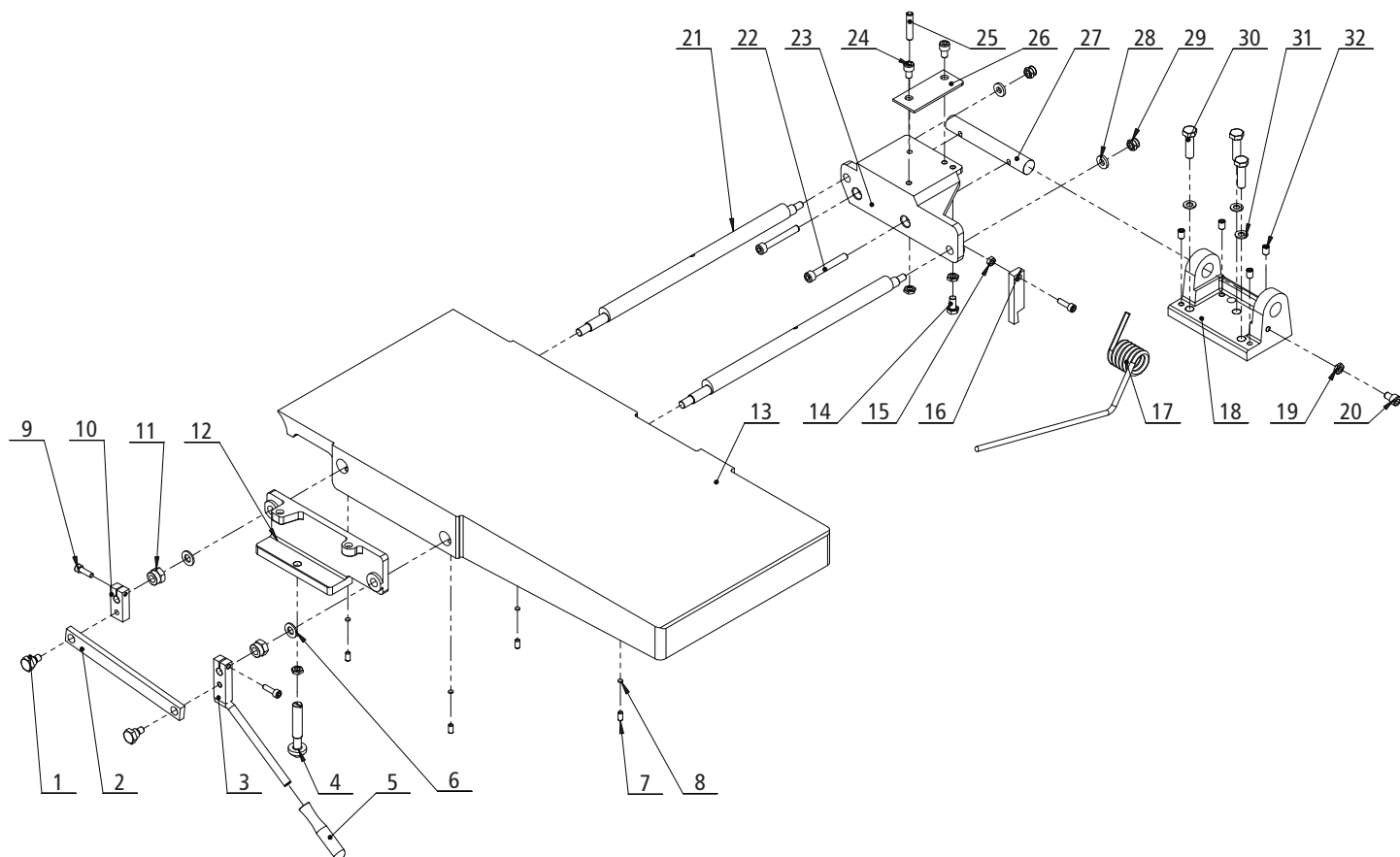
No.	Description	Part Number	Quantity	No.	Description	Part Number	Quantity
1	Hexagon socket cap screw	M6X45GB70Z	1	21	Flat washer	WSH6GB97D1Z	4
2	Nut	M6GB41Z	1	22	Rings	JL45040014	2
3	Thread Tube	JL45040006	1	23	Screw	M6X25GB70D2B	4
4	Thread rod	JL45040007	1	24	Rod	JL45040012	1
5	Bracket	JL45040004B	1	25	Thicknesser table	JL45040001A	1
6	Circlip	CLP20GB894D1B	2	26	Indicator	JL45040020	1
7	Lifting shaft	JL45040009A	1	27	Spring washer	WSH10GB93Z	2
8	Hexagon socket cap screw	M8X12GB70Z	3	28	Hexagonal head screw	M10X35GB5783B	2
9	Flat washer	WSH8GB97D1Z	9	29	Tube	JL45040002A	1
10	Flange plate	JL45040028	1	30	Set screw	M8X20GB77B	5
11	Set screw	M6X8GB77B	3	31	Locking plate	JL45040005	1
12	Position indicator	JL09124D0E20	1	32	Locating sleeve	JL45040003A	1
13	Hexagon socket cap screw	M6X16GB70Z	1	33	Spring washer	WSH8GB93Z	2
14	Bearing	BRG6202-2Z-P5GB276	1	34	Hexagon bolt	M8X40GB5783Z	8
15	Nut	M6GB6170Z	4	35	Shaft sleeve	P23X20X15GB12613	1
16	Circlip ring	CLP35GB893D1B	1	36	Gear	JL45040010	2
17	Locking lever	JL45040008	1	37	Screw	M6X12GB70D2B	3
18	Hand wheel	SGSL-D160-d12A1	1	38	Large washer	WSH6GB96Z	3
19	Adjustable handle	KTSB-1-B-M8X63X20	1	39	Large washer	WSH8GB96Z	2
20	Thin nut	M8GB6172Z	1				

# 15. Parts Lists & Diagrams



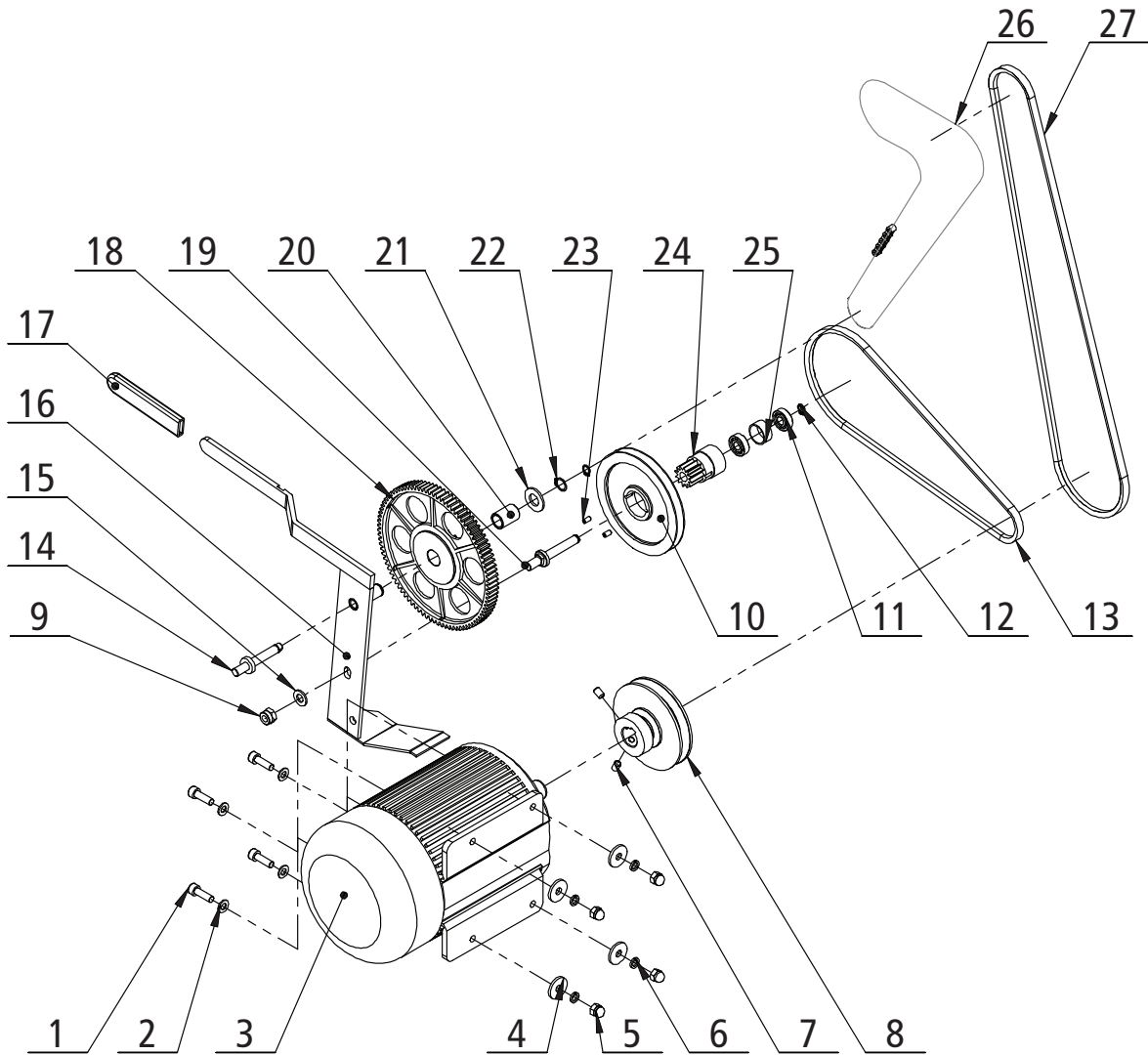
No.	Description	Part Number	Quantity	No.	Description	Part Number	Quantity
1	Handle sleeve	JL45030028	1	18	Thin nut	M8GB6172Z	2
2	Shoulder bolt	JL45030017	1	19	Hexagon bolt	M8X16GB5781Z	1
3	Rod	JL45030013	1	20	Torsional spring	JL45030009	1
4	Small lever	JL45030011	1	21	Support	JL45030005	1
5	Hexagon socket cap screw	M6X20GB70Z	2	22	Set screw	M6X8GB77B	1
6	Tighten rod	JL45030008	1	23	Large deflection wheel	JL45090001	1
7	Nut	M12GB6172Z	1	24	Back rack	JL45030004	1
8	Back rack	JL45030007	1	25	Guide plate	JL45060028	1
9	Hex. screw	M8X10GB77B	4	26	Screw	M8X10GB70B	2
10	Washer	JL45030029	4	27	Hex. screw	M8X40GB77B	1
11	Planer table	JL45030001B	1	28	Hexagon self-locking nut	M8GB889B	2
12	Cutter head guard	FDPT1202070000	1	29	Back support bar	JL45030027	1
13	Hand shank	JL45030012	1	30	Washer	JL45030020	2
14	Locknut	M12GB889B	2	31	Bolt	M8X30GB5783Z	3
15	Flat washer	WSH12GB97D1Z	2	32	Flat washer	WSH8GB97D1Z	3
16	Eccentric shaft	JL45030015	2	33	Hex. screw	M8X12GB80B	4
17	Screw	M8X60GB70B	2				

# 15. Parts Lists & Diagrams



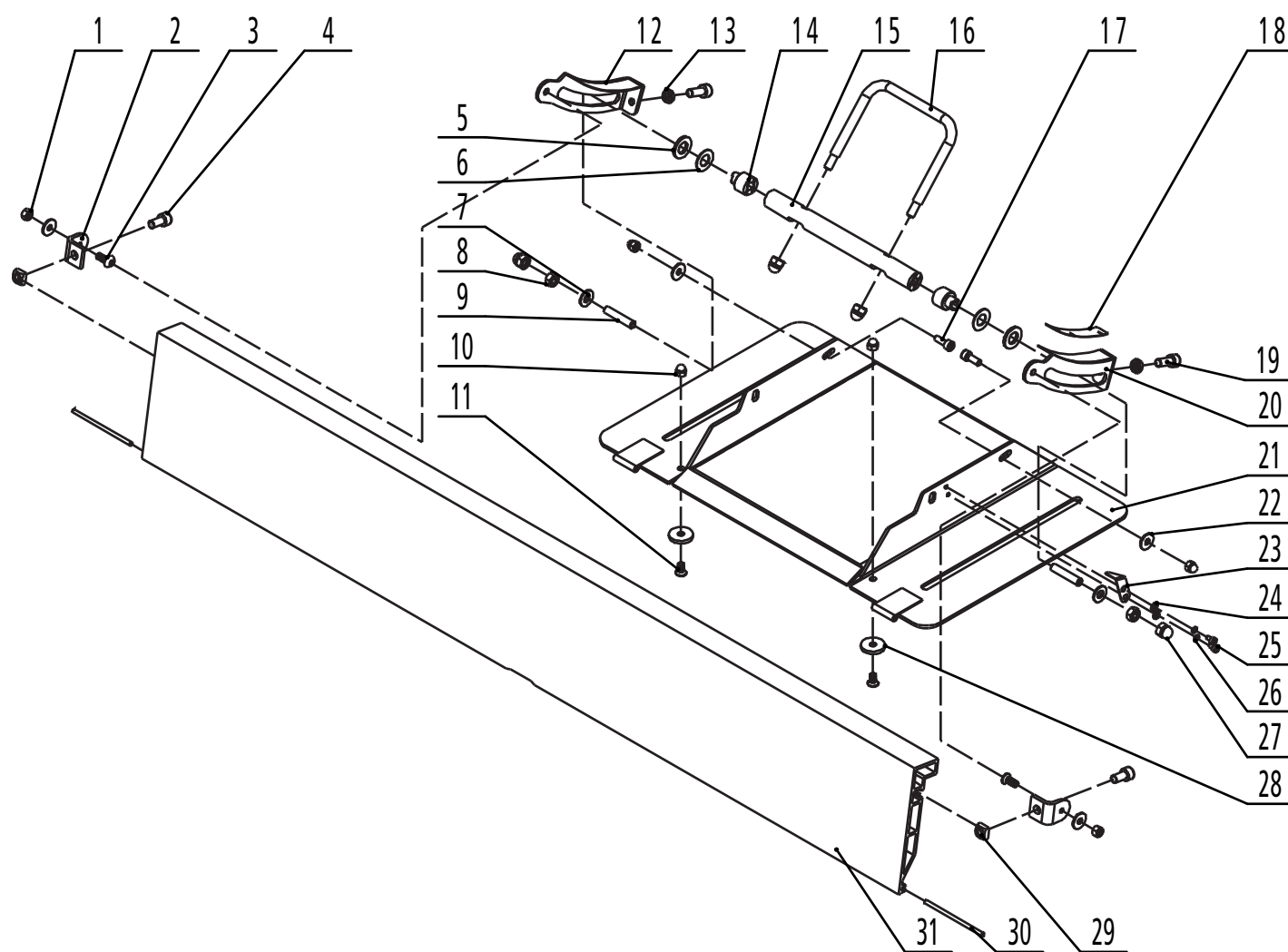
No.	Description	Part Number	Quantity	No.	Description	Part Number	Quantity
1	Shoulder bolt	JL45030017	2	17	Spring	JL45030009	1
2	Rod	JL45030013	1	18	Support base	JL45030005	1
3	Hand shank	JL45030012	1	19	Nut	M8GB6172Z	4
4	Tighten rod	JL45030008	1	20	Hex. screw	M8X12GB70Z	1
5	Handle tube	JL45030028	1	21	Eccentric shaft	JL45030015	2
6	Plate washer	WSH12GB97D1Z	2	22	Screw	M8X60GB70B	2
7	Hex. screw	M8X10GB77B	4	23	Front Rack	JL45030003	1
8	Washer	JL45030029	4	24	Screw	M8X10GB70B	2
9	Hex. screw	M6X20GB70Z	3	25	Hex. screw	M8X40GB77B	1
10	Rod	JL45030011	1	26	Guide plate	JL45060028	1
11	Lock nut	M12GB889B	2	27	Support bar	JL45030010	1
12	Rising rack	JL45030006	1	28	Washer	JL45030020	2
13	Planer table	JL45030001B	1	29	Lock nut	M8GB889Z	2
14	Screw	M8X16GB5781Z	1	30	Blot	M8X30GB5783Z	3
15	Nut	M8GB6170Z	1	31	Plate washer	WSH8GB97D1Z	3
16	Block	JL45030018	1	32	Hex. screw	M8X12GB80B	4

# 15. Parts Lists & Diagrams



No.	Description	Part Number	Quantity	No.	Description	Part Number	Quantity
1	Hexagon socket cap screw	M8X25GB70B	4	15	Washer	WSH10GB97D1Z	1
2	Washer	WSH8GB97D1Z	4	16	Panel assembly	JL45051300	1
3	Motor	YSKA905222A	1	17	Handle sleeve	JL45050013	1
4	Large washer	WSH8GB5287Z	4	18	Large gear wheel	JL45051001	1
5	Cap nut	M8GB923Z	4	19	Belt wheel spindle	JL45051301	1
6	Spring washer	WSH8GB93Z	4	20	Minor sprocket bush	JL45051003	1
7	Socket head cap screw	M8X12GB77Z	2	21	Washer	JL45051005	1
8	Motor pulley	JL45050002	1	22	Circlip ring	CLP15GB894D1B	1
9	Self-locking nut	M10GB889Z	1	23	Set screw	M5X10GB77B	2
10	Belt wheel	JL45051101	1	24	Small gear wheel	JL45051102	1
11	Bearing	BRG6000-2ZGB276	2	25	Bush	JL45051103	1
12	Circlip ring	CLP10GB894D1B	2	26	Chain	JL45050008	1
13	V-belt	JL45050007	1	27	V-belt	JL45050009	1
14	Chain wheel spindle	JL45051004	1				

# 15. Parts Lists & Diagrams



No.	Description	Part Number	Quantity	No.	Description	Part Number	Quantity
1	Nut	M6GB889Z	2	17	Hex. Screw	M6X16GB70Z	2
2	Support base	JL45060002	2	18	Angle label	JL45060007B	1
3	Hex. Screw	M6X16GB70D3Z	2	19	Hex. Screw	M8X20GB70Z	2
4	Hex. Screw	M8X16GB70Z	2	20	Left support arm	JL45060021	1
5	Washer	WSH12GB97D1Z	2	21	Support plate	JL45063000A	1
6	Disc spring washer	JL46062006	2	22	Large washer	WSH6GB96Z	6
7	Washer	WSH8GB97D1Z	2	23	Indicator	JL45060026	1
8	Nut	M8GB6170Z	2	24	Washer	WSH4GB97D1Z	2
9	Lock nut	M8X60GB80B	2	25	Hex. Screw	M4X5GB70Z	2
10	Cap nut	M6GB923Z	4	26	Spring washer	WSH4GB93Z	2
11	Hex. Screw	M6X12GB70D3Z	2	27	Cap nut	M8GB923Z	2
12	Right support arm	JL45060020	1	28	Thick washer	FDPT1202060016	2
13	Nut	M8GB6172Z	2	29	Square nut	M8GB39Z	2
14	Lock tube	JL45060024	2	30	Long pin	JL45060011	2
15	Lock rod	JL45060023	1	31	Rip fence	JL45060001	1
16	Lock handle	JL45060027	1				