

ARBORTECH™

MULTI PURPOSE TOOL

MINI CARVER MIN.FG.900.60

MINI GRINDER TRADE MIN.FG.910.60

OWNER'S INSTRUCTION MANUAL



Double
Insulated



Nos produits et emballages se
recyclent, ne les jetez pas!
Trouvez où les déposer sur le site
www.quefairedemesdechets.fr



PAP
Raccolta differenziata.
Verifica le disposizioni
del tuo Comune

Fig. A

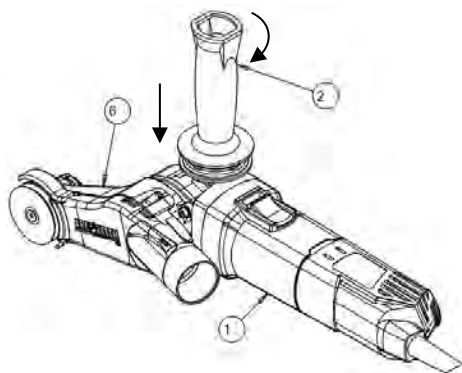


Fig. B

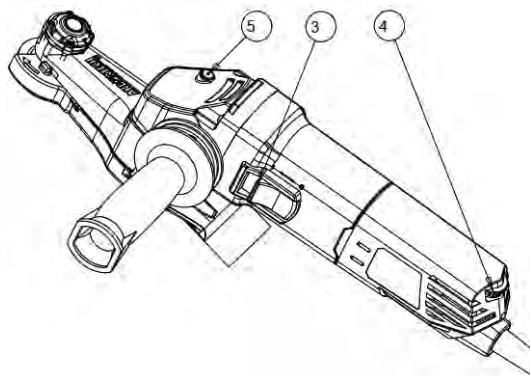
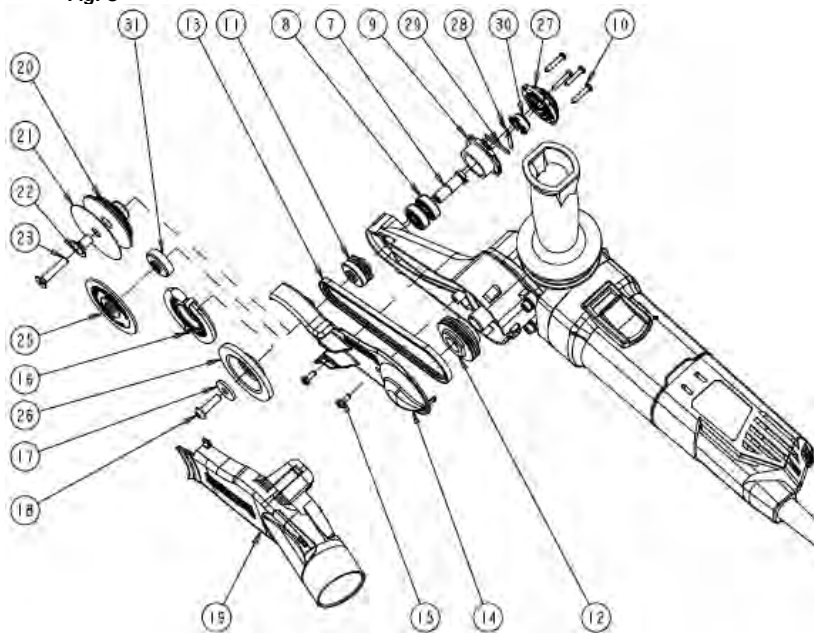


Fig. C



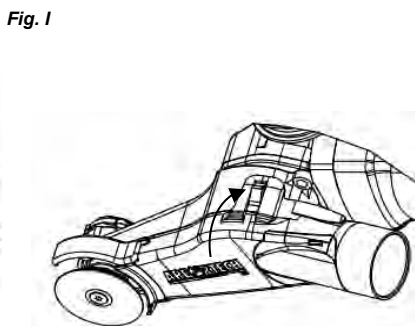
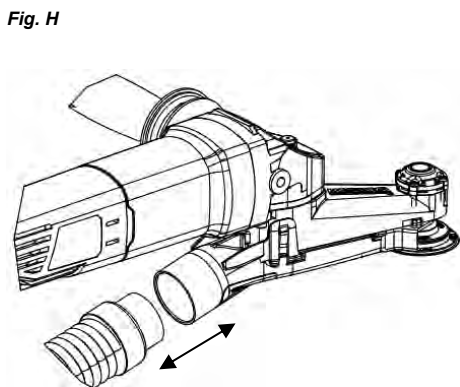
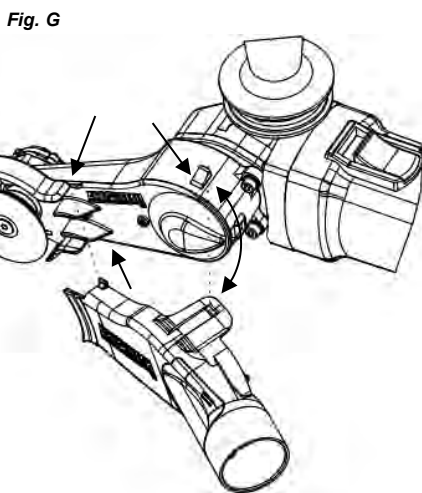
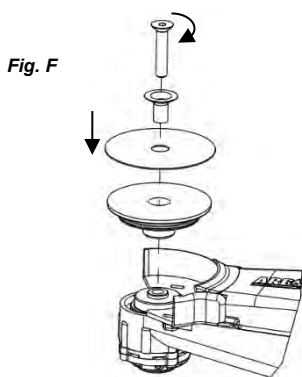
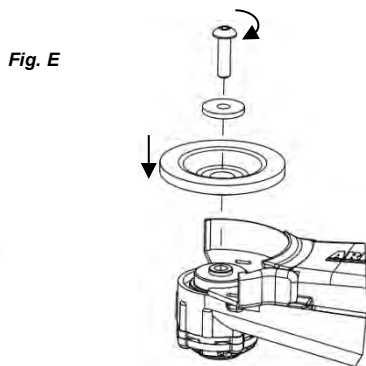
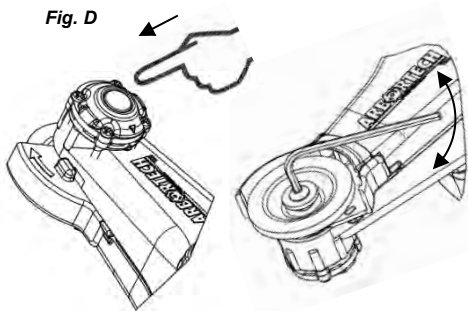


Fig. J

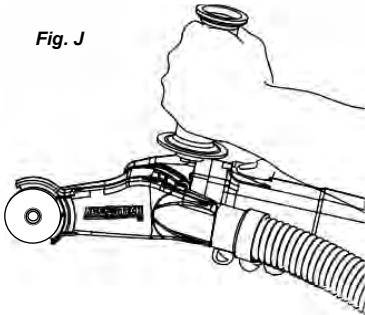


Fig. K

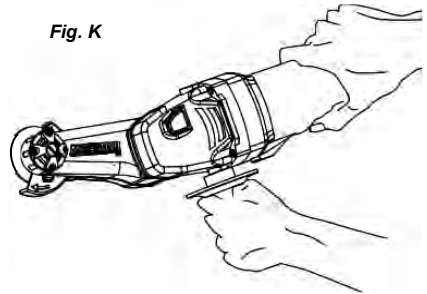


Fig. L

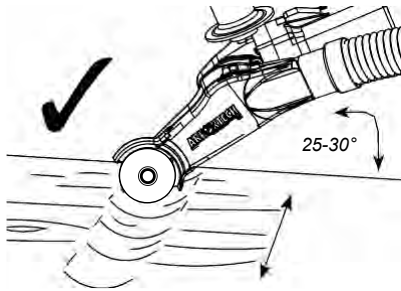


Fig. M

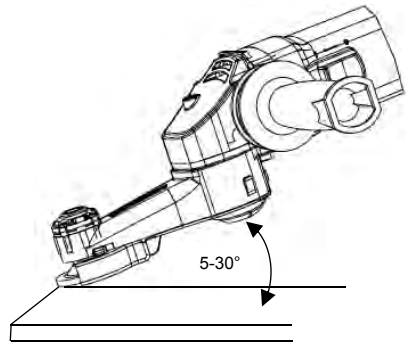


Fig. N

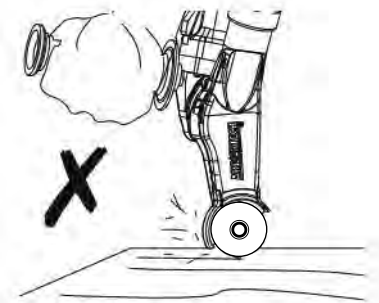


Fig. O

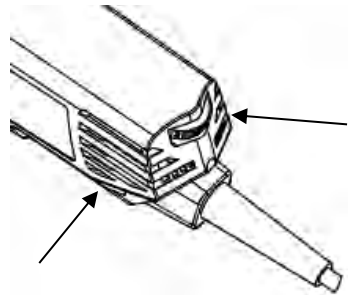


Fig. P

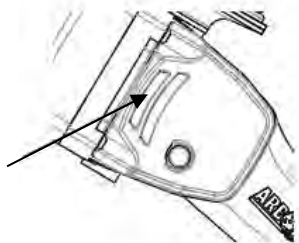


Fig. Q

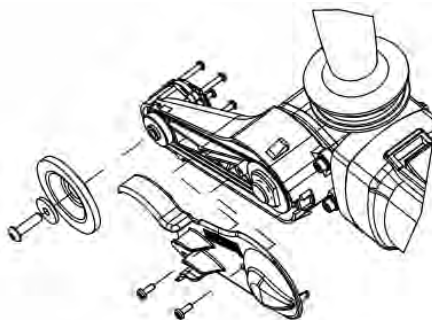


Fig. R

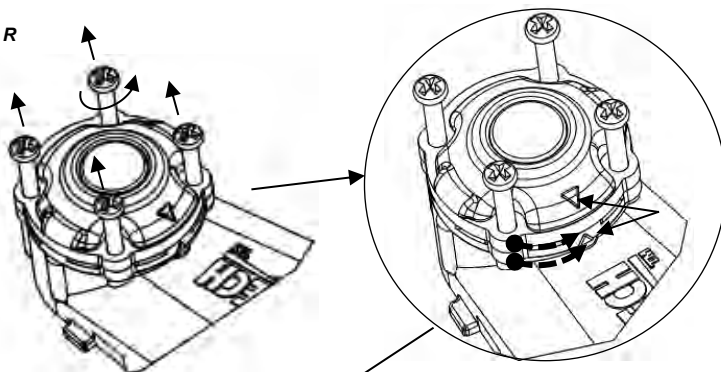


Fig. S

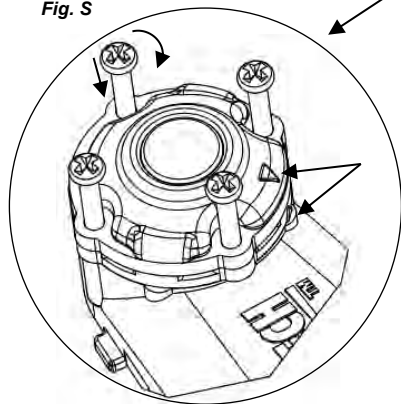
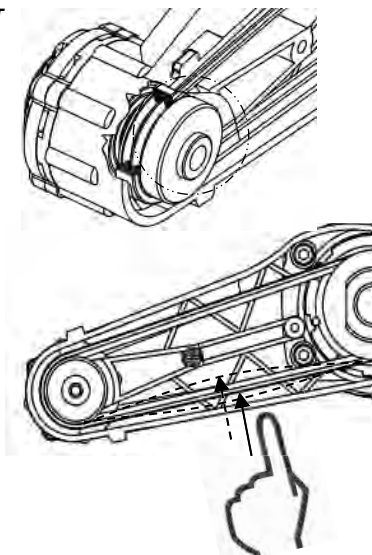


Fig. T





GENERAL POWER TOOL SAFETY WARNINGS



**WARNING - READ ALL
SAFETY WARNINGS,
INSTRUCTIONS,
ILLUSTRATIONS AND
SPECIFICATIONS PROVIDED
WITH THIS POWER TOOL.**

Failure to follow all instructions listed below, may result in electric shock, fire and/or personal injury.

SAVE ALL WARNINGS AND INSTRUCTIONS FOR FUTURE REFERENCE.

The term "power tool" in the warnings refers to your mains-operated (corded) power tool or battery-operated (cordless) power tool.

1) WORK AREA SAFETY

- Keep work area well ventilated, clean and well lit.** Cluttered or dark areas invite accidents.
- Do not operate power tools in explosive atmospheres, such as in the presence of flammable liquids, gases or dust.** Power tools create sparks which may ignite the dust or fumes.
- Keep children and bystanders away while operating a power tool.** Distractions can cause you to lose control.

2) ELECTRICAL SAFETY

- Power tool plugs must match the outlet.** Never modify the plug in any way. Do not use any adapter plugs with earthed (grounded) power tools. Unmodified plugs and matching outlets will reduce risk of electric shock.
- Avoid body contact with earthed or grounded surfaces, such as pipes, radiators, ranges and refrigerators.** There is an increased risk of electric shock if your body is earthed or grounded.
- Do not expose power tools to rain or wet conditions. Water entering a power tool will increase the risk of electric shock.**
- Do not abuse the cord. Never use the cord for carrying, pulling, or unplugging the power tool. Keep cord away from heat, oil, sharp edges or moving parts.** Damaged or entangled cords increase the risk of electric shock.

- When operating a power tool outdoors, use an extension cord suitable for outdoor use.** Use of a cord suitable for outdoor use reduces the risk of electric shock.
- If operating a power tool in a damp location is unavoidable, use a residual current device (RCD) protected supply.** Use of an RCD reduces the risk of electric shock.

3) PERSONAL SAFETY

- Stay alert, watch what you are doing and use common sense when operating a power tool. Do not use a power tool while you are tired or under the influence of drugs, alcohol or medication.** A moment of inattention while operating power tools may result in serious personal injury.
- Use personal protective equipment. Always wear eye protection.** Protective equipment such as dust mask, non-skid safety shoes, hard hat or hearing protection used for appropriate conditions will reduce personal injuries.
- Prevent unintentional starting. Ensure the switch is in the off-position before connecting to a power source and/or battery pack, picking up or carrying the tool.** Carrying power tools with your finger on the switch or energizing power tools that have the switch on invites accidents.
- Remove any adjusting key or wrench before turning the power tool on.** A wrench or a key left attached to a rotating part of the power tool may result in personal injury.
- Do not overreach. Keep proper footing and balance at all times.** This enables better control of the power tool in unexpected situations.
- Dress properly. Do not wear loose clothing or jewellery. Keep your hair, clothing and gloves away from moving parts.** Loose clothes, jewellery or long hair can be caught in moving parts.
- If devices are provided for the connection of dust extraction and collection facilities, ensure these are connected and properly used.** Use of dust collection can reduce dust-related hazards.
- Do not let familiarity gained from frequent use of tools allow you to become complacent and ignore tool safety.** A careless action can cause severe injuries within a fraction of a second.

4) POWER TOOL USE AND CARE

- Do not force the power tool. Use the correct tool for your application.** The correct power tool will do the job better and safer at the rate for which it was designed.

- b. **Do not use the tool if the switch does not turn it on and off.** Any power tool that cannot be controlled with the switch is dangerous and must be repaired.
 - c. **Disconnect the plug from the power source and/or the battery pack from the power tool before making any adjustments, changing accessories, or storing power tools.** Such preventative safety measures reduce the risk of starting the power tool accidentally.
 - d. **Store idle power tools out of the reach of children and do not allow persons unfamiliar with the power tool or these instructions to operate the power tool.** Power tools are dangerous in the hands of untrained users.
 - e. **Maintain power tools and accessories. Check for misalignment or binding of moving parts, breakage of parts and any other condition that may affect the power tools operation. If damaged, have the power tool repaired before use.** Many accidents are caused by poorly maintained power tools.
 - f. **Keep cutting tools sharp and clean.** Properly maintained cutting tools with sharp edges are less likely to bind and are easier to control.
 - g. **Use the power tool, accessories and tool bits etc. in accordance with these instructions, taking into account the working conditions and the work to be performed.** Use of the power tool for operations different from those intended could result in a hazardous situation.
 - h. **Keep handles and grasping surfaces dry, clean and free from oil and grease.** Slippery handles and grasping surfaces do not allow for safe handling and control of the tool in unexpected situations.
- b. **Operations such as polishing wire brushing or cut-off are not recommended to be performed with this power tool.** Operations for which the power tool was not designed may create a hazard and cause personal injury.
 - c. **Do not use accessories which are not specifically designed and recommended by the tool manufacturer.** Just because the accessory can be attached to your power tool, it does not assure safe operation.
 - d. **The rated speed of the accessory must be at least equal to the maximum speed marked on the power tool.** Accessories running faster than their rated speed can break and fly apart.
 - e. **The outside diameter and the thickness of your accessory must be within the capacity rating of your power tool.** Incorrectly sized accessories cannot be adequately guarded or controlled.
 - f. **Threaded mounting of accessories must match the grinder spindle thread.** For accessories mounted by flanges, the arbour hole of the accessory must fit the locating diameter of the flange. Accessories that do not match the mounting hardware of the power tool will run out of balance, vibrate excessively and may cause loss of control.
 - g. **Do not use a damaged accessory. Before each use inspect the accessory such as abrasive wheels for chips and cracks, backing pad for cracks, tear or excess wear, wire brush for loose or cracked wires. If power tool or accessory is dropped, inspect for damage or install an undamaged accessory. After inspecting and installing a wire brush for loose or cracked wires. If power tool or accessory is dropped, inspect for damage or install an undamaged accessory. After inspecting and installing an accessory, position yourself and bystanders away from the plane of the rotating accessory and run the power tool at maximum no-load speed for one minute.** Damaged accessories will normally break apart during this test time.
 - h. **Wear personal protective equipment. Depending on application, use face shield, safety goggles or safety glasses. As appropriate, wear dust mask, hearing protectors, gloves and workshop apron capable of stopping small abrasive or workpiece fragments.** The eye protection must be capable of stopping flying debris generated by various operations. The dust mask or respirator must be capable of filtering particles generated by your operation. Prolonged exposure to high intensity noise may cause hearing loss.
 - i. **Keep bystanders a safe distance away from work area. Anyone entering the work area must wear personal protective equipment.** Fragments of workpiece or of a broken accessory may fly away and cause injury beyond immediate area of operation.

5) SERVICE

- a. **Have your power tool serviced by a qualified repair person using only identical replacement parts. This will ensure that the safety of the power tool is maintained.**



MINI CARVER/MINI GRINDER TRADE SAFETY WARNINGS

SAFETY WARNINGS COMMON FOR GRINDING, SANDING OR WOOD CARVING OPERATIONS:

- a. **This power tool is intended to function as a grinder, sander or wood carver tool. Read all safety warnings, instructions, illustrations and specifications provided with this power tool.** Failure to follow all instructions listed below may result in electric shock, fire and/or serious injury.

- j. **Hold the power tool by insulated gripping surfaces only, when performing an operation where the cutting accessory may contact hidden wiring or its own cord.** Cutting accessory contacting a “live” wire may make exposed metal parts of the power tool “live” and could give the operator an electric shock.
- k. **Position the cord clear of the spinning accessory.** If you lose control, the cord may be cut or snagged and your hand or arm may be pulled into the spinning accessory.
- l. **Never lay the power tool down until the accessory has come to a complete stop.** The spinning accessory may grab the surface and pull the power tool out of your control.
- m. **Do not run the power tool while carrying it at your side.** Accidental contact with the spinning accessory could snag your clothing, pulling the accessory into your body.
- n. **Regularly clean the power tool’s air vents.** The motor’s fan will draw the dust inside the housing and excessive accumulation of powdered metal may cause electrical hazards.
- o. **Do not operate the power tool near flammable materials.** Sparks could ignite these materials.
- p. **Do not use accessories that require liquid coolants.** Using water or other liquid coolants may result in electrocution or shock.
- b. **Never place your hand near the rotating accessory.** Accessory may kickback over your hand.
- c. **Do not position your body in the area where power tool will move if kickback occurs.** Kickback will propel the tool in direction opposite to the wheel’s movement at the point of snagging.
- d. **Use special care when working corners, sharp edges etc. Avoid bouncing and snagging the accessory.** Corners, sharp edges or bouncing have a tendency to snag the rotating accessory and cause loss of control or kickback.
- e. **Do not attach a saw chain wood carving blade or toothed saw blade.** Such blades create frequent kickback and loss of control.
- f. **Do not attach reinforced abrasive cut-off wheel.** Such tools can break-off and cause injuries.

SAFETY WARNINGS SPECIFIC FOR GRINDING OPERATIONS:

- a. **Use only wheel types that are recommended for your power tool and the specific guard designed for the selected wheel.** Wheels for which the power tool was not designed cannot be adequately guarded and are unsafe.
- b. **The grinding surface of centre depressed wheels must be mounted below the plane of the guard lip.** An improperly mounted wheel that projects through the plane of the guard lip cannot be adequately protected.
- c. **The guard must be securely attached to the power tool and positioned for maximum safety, so the least amount of wheel is exposed towards the operator.** The guard helps to protect the operator from broken wheel fragments, accidental contact with wheel and sparks that could ignite clothing.
- d. **Wheels must be used only for recommended applications. For example: do not grind with the side of cut-off wheel.** Abrasive cut-off wheels are intended for peripheral grinding, side forces applied to these wheels may cause them to shatter.
- e. **Always use undamaged wheel flanges that are of correct size and shape for your selected wheel.** Proper wheel flanges support the wheel thus reducing the possibility of wheel breakage. Flanges for cut-off wheels may be different from grinding wheel flanges.
- f. **Do not use worn down wheels from larger power tools.** Wheel intended for larger power tool is not suitable for the higher speed of a smaller tool and may burst.

KICKBACK AND RELATED WARNINGS

Kickback is a sudden reaction to a pinched or snagged rotating wheel, backing pad, brush or any other accessory.

Pinching or snagging causes rapid stalling of the rotating accessory which in turn causes the uncontrolled power tool to be forced in the direction opposite of the accessory’s rotation at the point of the binding. For example, if an abrasive wheel is snagged or pinched by the workpiece, the edge of the wheel that is entering into the pinch point can dig into the surface of the material causing the wheel to climb out or kick out. The wheel may either jump toward or away from the operator, depending on direction of the wheel’s movement at the point of pinching. Abrasive wheels may also break under these conditions. Kickback is the result of power tool misuse and/or incorrect operating procedures or conditions and can be avoided by taking proper precautions as given below.

- a. **Maintain a firm grip on the power tool and position your body and arm to allow you to resist kickback forces. Always use auxiliary handle, if provided, for maximum control over kickback or torque reaction during start-up.** The operator can control torque reactions or kickback forces, if proper precautions are taken.

ADDITIONAL SAFETY WARNINGS SPECIFIC FOR SANDING OPERATIONS:

- Do not use excessively oversized sanding disc paper.** Follow manufacturers recommendations, when selecting sanding paper. Larger sanding paper extending beyond the sanding pad presents a laceration hazard and may cause snagging, tearing of the disc or kickback.
- Adjust the speed as recommended for sanding applications.** High speed sanding presents laceration and burning hazard.

ADDITIONAL SAFETY WARNINGS



Wear hearing protection; Wear eye protection; Wear dust mask; Wear protective gloves.

- Use suitable detectors to determine if utility lines are hidden in the work area or call the local utility company for assistance.** Contact with electric lines can lead to fire and electric shock. Damaging a gas line can lead to explosion. Penetrating a water line causes property damage or may cause an electric shock.
- Release the On/Off switch and set it to the off position when the power supply is interrupted, e. g., in case of a power failure or when the mains plug is pulled.**
- Do not touch grinding and cutting discs before they have cooled down.** The discs can become very hot while working.
- Secure the workpiece.** A workpiece clamped with clamping devices or in a vice is held more secure than by hand.

KNOWING YOUR TOOL

PRODUCT DESCRIPTION AND SPECIFICATIONS



Read all safety warnings and all instructions. Failure to follow the warnings and instructions may result in electric shock, fire and/or serious injury.

CE - Declaration of conformity:

Arbortech declares that the product MIN.FG.900.60 and MIN.FG.910.60 described in this manual under "Technical Specifications" is manufactured in compliance with EN 60745 standardised documents, EMC 2014/30/EU and RoHS 2011/65/EU directives.

Technical file in conformity with Machinery Directive 2006/42/EC at: Arbortech PTY LTD | 67 Westchester Road, Malaga, WA 6090

Sven Blinks
General Manager


INTENDED USE

The Mini Carver/Mini Grinder Trade is intended for grinding, carving, and sanding of metal, stone and wood without use of water.

Note: Text, diagrams and data are correct at time of printing. In the interests of continuous improvement of our products, technical specifications are subject to alteration without prior notice.

For working with applications on materials that create dust use dust extraction accessories.

Voltage	230	V
Power rating	1000	W
Frequency	50	Hz
Protection class	II	II
Rated speed	6000-19500	Rpm
Tool diameter	54	mm
Mounting bore size	9.5	mm
Mounting screw size	M5	mm
Weight	2.35	kg
Vibration emission (k=1.5)	7.31	m/sec ²
Noise emission (k=3.0)	96	dB(A)

 **WARNING:** The declared vibration emission level represents the main applications of the tool. However if the tool is used for different applications, with different accessories or insertion tools or is poorly maintained, the vibration emission may differ. This may significantly increase the exposure level over the total working period.

An estimation of the level of exposure to vibration should also take into account the times when the tool is switched off or when it is running but not actually doing the job. This may significantly reduce the exposure level over the total working period. Identify additional safety measures to protect the operator from the effects of vibration.

UNPACKING AND ASSEMBLY

Inspect to ensure that no damage has occurred to the tool and accessories during transport. If damaged, report to the retailer immediately.

Remove the auxiliary handle from the box and attach to the tool. (Fig. A)

Ensure that the clamping screw (18) is always fully tightened before use.

PRODUCT FEATURES AND LIST OF COMPONENTS

ITEM	Features and components
1	Mini Carver/Mini Grinder Trade Body
2	Auxiliary handle
3	ON/OFF Switch
4	Speed control
5	Drive Lock button
6	Extension arm
7	Mini shaft
8	Bearings
9	Bearing cap
10	Pan screw 4g
11	Small Pulley
12	Large Pulley
13	Belt
14	Guard cover
15	Pan screw 6g
16	Mini Pro Blade ¹
17	Clamping Washer
18	Clamping screw M5
19	Dust extraction cover
20	Sanding Pad
21	Sandpaper
22	Clamping Bush
23	Countersunk screw
24	Diamond Cutting Disc ²
25	Grinding Wheel ²
26	Spindle lock - cover
27	Leaf spring
28	Locking bar
29	Locking button


¹ Included with Mini Carver

² Included with Mini Grinder Trade

PRODUCT FEATURES AND LIST OF COMPONENTS

Fig. A, Fig. B, Fig. C


MOUNTING TOOLS AND ACCESSORIES

 **WARNING:** To reduce the risk of serious personal injury, turn the tool off and disconnect from the power source before making any adjustments or removing/ installing tools or accessories.

1. REPLACING CARVING AND GRINDING DISCS

Insert a flat screw driver into the mini shaft (7) to prevent rotation, then remove the clamping screw (18) using the Allen Key provided with the tool (Fig. D). Replace the blade with other Arbortech recommended product as shown on the following diagrams.

Place the new disc over the small pulley, ensuring it is properly centered and seated flat against the pulley face. Place the clamping washer (17) over the disc then insert and tighten the clamping screw (18) in order as shown (Fig. E). Ensure the marks on the disc are visible and arrow of rotation is pointing in the same direction as the arrow on the back of the guard.

 **WARNING:** Failure to properly mount the discs over the pulley could result in serious injuries or damage the tool.

2. MOUNTING THE SANDING PAD

Follow the steps to remove the disc prescribed above (step 1).

First position the sand paper (21) over the sanding pad (20) then insert countersunk screw (23) into the clamping bush (22) and together insert them into the sanding pad centre hole. Next insert the sanding pad over the small pulley (11) (Fig. F) and tighten the screw onto the mini shaft.

3. MOUNTING THE DUST EXTRACTION

To fit-on the dust extraction, first insert the front lugs of the Dust Extraction Cover (19) under the Guard Cover cut-outs, then push down the rear end to snap the latches over the Extension Arm side lugs as shown in Fig.G. Fit the vacuum cleaner hose into the Dust extraction hole (Fig. H). Dust extraction fits hose size Ø35mm.

To remove the Dust Extraction Cover pull the dust extraction latch sideways from the extension arm and then pull out in reverse direction.

WARNING:

- To reduce the risk of personal injury always use dust extraction.
- Provide for sufficient dust extraction when cutting masonry materials.
- The vacuum cleaner must be approved for vacuuming masonry dust
- Wear a dust respirator .
- The machine may be used only for dry cutting/ grinding.



WARNING: ALWAYS WEAR CORRECT SAFETY CLOTHING, INCLUDING EAR, EYE AND LUNG PROTECTION.

DO NOT use under the wet conditions or in presence of flammable liquids and gasses.

CAUTION: Use correct personal protection equipment when working on materials treated or containing toxic substances and follow local government safety regulations.

OPERATION

Always use two hands to operate the Mini Carver/Mini Grinder Trade placing the left hand on the auxiliary handle and the right on the tool body (Fig. J)

Ensure the machine is running BEFORE contacting the material, to be worked on. To sand, grind or woodcarving, hold the Mini Carver/Mini Grinder Trade as shown in Fig. K

CUTTING GRIP

Use the Mini Industrial Blade to cut or remove wood and plastics.

Use the Mini Sanding Pads for cleaning and sanding wood, plastics, metal, paint and much more.

Use the diamond blade for cutting and recessing any masonry based material.

Use the grinding disc to grind metal.

STARTING OPERATION

Observe correct mains voltage! The voltage of the power source must agree with the voltage specified on the nameplate of the machine. Power tools marked with 230-240V can also be operated with 220 V.

SHOWING ANGLE & DIRECTION OF CUT

25-30° is a comfortable working angle.

Use the bottom edge of the blade (as shown in Fig.L / M) and not as in Fig.N.

SWITCHING ON AND OFF

To start the power tool, push the On/Off switch 3 forwards.

To lock the On/Off switch 3, press the On/Off switch 3 down at the front until it latches.

To switch off the power tool, release the On/Off switch 3, or if it is locked, briefly push down the back of the On/Off switch 3 and then release it.

- Check grinding tools before using. The grinding tool must be mounted properly and be able to move freely.

Test run the grinder with no load prior use. Do not use damaged, out-of-centre or vibrating tools.



CAUTION:

Restarting protection – The restarting protection feature prevents uncontrolled restarting of the machine after an interruption in the power supply. To restart the operation, switch the On/Off switch 3 to the off position and start the machine again.



WARNING:

- **Always read the safety instructions and applicable regulations**
- **Support and secure the work piece to prevent movement and loss of control.**
- **Do not exert pressure or strain the machine so heavily that it comes to a standstill.**
- **After heavily straining the power tool, continue to run it at no-load for several minutes to cool down the accessory.**
- **Do not touch grinding and cutting discs before they have cooled down. The discs can become very hot while working.**

TOOL	POWER SETTINGS	APPLICATION
Mini Pro Blade ¹	5-6	Wood carving
Diamond Disc ²	5-6	Grinding masonry material
Grinding Disc ²	5-6	Grinding metal
Sanding Pad	1-3	Sanding wood, metal and other materials. Use lower speed for higher grit sandpaper

¹ Included with Mini Carver

² Included with Mini Grinder Trade

MAINTENANCE



WARNING: BEFORE ANY ADJUSTMENT, CLEANING OR WORK ON THE MACHINE ITSELF, DISCONNECT FROM THE POWER SUPPLY.

CLEANING THE GRILLS AND SWITCH

Regularly check to see if any dust or foreign matter has entered the grills positioned on the front and back of the motor (fig. O and P) or under ON/OFF switch (Fig. A).

If so use a soft brush to remove any accumulated dust. to clean grills and switch.

TENSIONING OR REPLACING THE BELT

Unplug the Mini Carver/Mini Grinder Trade.

Remove the blade and the guard cover (14) then lift the back side of the guard cover and slide the cover back and lift off (Fig.Q). Unscrew the 4 screws (10) (fig. R), until the bearing cap (9) and spindle lock cover (26) can rotate inside the arm.

Rotate the components 9 and 26 together anticlockwise (Fig R) until the screws align with the next hole position in the arm (Fig S). This will make the small pulley to move and create tension in the belt. Ensure the belt is correctly positioned over the pulleys as shown in (Fig. T) and the small pulley is fully inserted onto the spindle.

When tensioning is finished tighten the screws. Then secure the guard cover onto the arm and install the blade.

DO NOT OVER TENSION THE BELT

Note: clean surroundings with a soft cloth or small brush.

**Accessories & spare parts
visit www.arbortechtools.com**

VŠEOBECNÁ BEZPEČNOSTNÍ VAROVÁNÍ PRO ELEKTRICKÉ NÁŘADÍ



**UPOZORNĚNÍ -
PROSTUDUJTE SI
VŠECHNA BEZPEČNOSTNÍ
UPOZORNĚNÍ, POKYNY,
ILUSTRACE A SPECIFIKACE
DODÁVANÉ S TÍMTO
ELEKTRICKÝM NÁSTROJEM.**

Nedodržení všech níže uvedených pokynů může mít za následek úraz elektrickým proudem, požár anebo zranění osob.

USCHOVEJTE SI VŠECHNA VAROVÁNÍ A POKYNY PRO BUDOUCÍ POUŽITÍ

Termín "elektrické nářadí" ve varováních se týká elektrického nářadí napájeného ze sítě (pomocí napájecího kabelu) nebo elektrického nářadí napájeného prostřednictvím bateriového modulu (bez kabelu).

1) BEZPEČNOST PRACOVNÍHO PROSTORU

- Pracovní prostor udržujte dobře větraný, čistý a dobře osvětlený.** Tam, kde je nepořádek nebo neosvětlená místa, dochází často k úrazům.
- Nepracujte s elektrickým nářadím ve výbušném prostředí, například v přítomnosti hořlavých kapalin, plynů nebo prachu.** Elektrické nářadí vytváří jiskry, které mohou zapálit prach nebo výpary.
- Při práci s elektrickým nářadím dávejte pozor, aby děti a okolostojící osoby byly v bezpečné vzdálenosti.** Rozptýlení může způsobit, že ztratíte kontrolu

2) ELEKTRICKÁ BEZPEČNOST

- Zástrčky elektrického nářadí musí odpovídat zásuvce. Nikdy zástrčku žádným způsobem neupravujte. U uzemněného (ukostřeného) elektrického nářadí nepoužívejte zásuvkové adaptéry (rozbočovací zásuvky).** Neupravené zástrčky a odpovídající zásuvky snižují riziko úrazu elektrickým proudem.

- Vyhnete se kontaktu těla s uzemněnými povrchy, jako jsou potrubí, radiátory, sporáky a chladničky.** Existuje zvýšené riziko úrazu elektrickým proudem, pokud je vaše tělo uzemněno.
- Nevystavujte elektrické nářadí dešti ani vlhkému prostředí.** Vniknutí vody do elektrického nářadí zvýší riziko úrazu elektrickým proudem
- Nepoužívejte kabel k jinému účelu. Kabel nikdy nepoužívejte k přenášení, tahání nebo odpojování elektrického nářadí. Chrňte kabel před horkem, olejem, ostrými hranami nebo pohyblivými díly.** Poškozené nebo zapletené kabely zvyšují riziko úrazu elektrickým proudem.
- Při práci s elektrickým nářadím ve venkovním prostředí používejte prodlužovací kabel vhodný pro venkovní použití.** Použití kabelu vhodného pro venkovní použití snižuje riziko úrazu elektrickým proudem.
- Pokud je použití elektrického nářadí ve vlhkém prostředí nevyhnutelné, použijte napájecí zdroj chráněný proti zbytkovému proudu (RCD).** Použití zdroje chráněného proti zbytkovému proudu (RCD) snižuje riziko úrazu elektrickým proudem.

3) OSOBNÍ BEZPEČNOST

- Při používání elektrického nářadí buďte opatrní, sledujte, co děláte a používejte zdravý rozum. Nepoužívejte elektrické nářadí, pokud jste unaven/a nebo pod vlivem drog, alkoholu nebo léků.** Chvilka nepozornosti při používání elektrického nářadí může způsobit vážné zranění.
- Použijte osobní ochranné pomůcky. Vždy používejte ochranu očí.** Ochranné prostředky, jako je ochranná maska proti prachu, protiskluzová bezpečnostní obuv, ochranný klobouk nebo ochrana sluchu používaná pro vhodné podmínky, snižují riziko poranění.
- Zabraňte náhodnému spuštění. Před připojením k napájecímu zdroji a/nebo bateriovému modulu, zvedáním nebo přenášením nářadí se ujistěte, že je přepínač nářadí v poloze vypnuto.** Přenášení elektrického nářadí s prstem na přepínači nebo napájení elektrického nářadí se zapnutým spínačem může způsobit úraz.
- Před zapnutím elektrického nářadí z něho odstraňte všechny seřizovací nebo utahovací klíče.** Klíč, který zůstává připevněn k rotující části elektrického nářadí, může způsobit zranění.
- Nesnažte se pracovat s nářadím na příliš vzdáleném místě. Stále udržujte správný postoj a rovnováhu.** To umožňuje lepší kontrolu nad nářadím v nečekaných situacích.

- f. **Vhodně se oblékejte. Nenoste volné oblečení nebo šperky. Snažte se, aby se vaše vlasy, oděv a rukavice nedostaly do pohyblivých částí.**
Volné oblečení, šperky nebo dlouhé vlasy mohou být zachyceny pohyblivými díly.
- g. **Pokud jsou k nářadí připojena zařízení na odsávání a sběr prachu, ujistěte se, že jsou správně připojena a používána.** Použití zařízení k odsávání prachu může snížit nebezpečí související s prachem.
- h. **Nedopustěte, abyste vlivem častého používání nářadí přestal/a být tak obezřetný/á a ignoroval/a bezpečnost při používání nářadí.**
Neopatrná akce může způsobit vážná zranění během zlomku sekundy.

4) POUŽÍVÁNÍ A OŠETŘOVÁNÍ NÁŘADÍ

- a. **Nepřetěžujte elektrické nářadí. Pro danou aplikaci použijte správné nářadí.** Svou práci provedete lépe a bezpečněji, když budete používat nářadí pouze v tom rozsahu, pro který je určeno.
- b. **Nepoužívejte nářadí, pokud jej není možno spínačem zapnout a vypnout.** Každé elektrické nářadí, které nelze ovládat přepínačem, je nebezpečné a musí být opraveno.
- c. **Před provedením jakýchkoli úprav/seřizování, výměnou příslušenství nebo ukládáním elektrického nářadí vytáhněte zástrčku od napájecího zdroje a/nebo bateriového modulu elektrického nářadí.** Tato preventivní bezpečnostní opatření snižují riziko náhodného spuštění nářadí.
- d. **Nepoužívané elektrické nářadí uložte mimo dosah dětí a nedovoďte osobám, které nejsou obeznámeny s tímto nářadím, ani s těmito pokyny, aby s elektrickým nářadím pracovaly.** Elektrické nářadí je v rukou nekvalifikovaných uživatelů nebezpečné.
- e. **Provádějte údržbu elektrického nářadí a příslušenství. Kontrolujte nesouosost nebo spoje pohyblivých částí, poškození dílů a jiné okolnosti, které mohou ovlivnit funkci elektrického nářadí. Pokud je nářadí poškozeno, nechte jej před použitím opravit.** Mnoho úrazů je způsobeno špatně udržovaným elektrickým nářadím
- f. **Udržujte řezné nástroje ostré a čisté.** Správně udržované řezné nástroje s ostrými hranami se tak snadno nezadrhají a lépe se s nimi pracuje.
- g. **Elektrické nářadí, příslušenství a břitové destičky/nože/vrtáky apod. používejte v souladu s těmito pokyny, s přihlédnutím k pracovním podmínkám a práci, která má být provedena.** Použití elektrického nářadí pro jiné než určené činnosti může vést k nebezpečným situacím.

5) SERVIS

- a. **Opravu vašeho elektrického nářadí svěřte kvalifikovanému servisnímu technikovi, který používá pouze originální náhradní díly.**
Tím se zajistí, že bude zachována bezpečnost elektrického nářadí.

BEZPEČNOSTNÍ VAROVÁNÍ PRO ÚHLOVOU BRUSKU

BEZPEČNOSTNÍ UPOZORNĚNÍ SPOLEČNÁ PRO BROUŠENÍ, SMIRKOVÁNÍ A ŘEZÁNÍ DŘEVA:

- a. Tento elektrický nástroj je určen pro použití jako bruska, smirkovací bruska a řezačka dřeva. Prostudujte si všechna bezpečnostní upozornění, pokyny, ilustrace a specifikace dodávané s tímto elektrickým nástrojem. Nedodržení níže uvedených pokynů může vést k elektrickému šoku, požáru a/ nebo vážnému zranění.
- b. **S tímto elektrickým nářadím se nedoporučuje provádět operace jako například broušení drátěným kartáčem nebo odřezávání.** Pracovní operace, které pro které toto nářadí nebylo navrženo, může představovat riziko a může mít za následek zranění osob.
- c. **Nepoužívejte příslušenství, které není konkrétně navrženo a doporučeno výrobcem nářadí.** Jen proto, že příslušenství lze připojit k elektrickému nářadí, není zárukou bezpečného provozu.
- d. **Jmenovité otáčky příslušenství se musí alespoň rovnat maximálním otáčkám vyznačeným na elektrickém nářadí.** Příslušenství, které by se otáčelo rychlostí vyšší než jsou jeho jmenovité otáčky, by mohlo prasknout a rozletět se.
- e. **Vnější průměr a tloušťka vašeho příslušenství musí odpovídat jmenovitému výkonu vašeho elektrického nářadí.** Nesprávně dimenzované příslušenství nemůže být dostatečně chráněno nebo kontrolováno.
- f. **Závitové montážní díly příslušenství musí odpovídat závitů vřeten brusky. U příslušenství namontovaném pomocí příruby musí být otvor na příslušenství odpovídat upevňovacímu průměru příruby.** Příslušenství, která neodpovídá upevňovacímu dílu elektrického nářadí, je při chodu nevyvážené, nadměrně vibruje a může způsobit ztrátu kontroly.

- g. **Nepoužívejte poškozené příslušenství.** Před každým použitím zkontrolujte příslušenství, jako například naštipnutí nebo trhliny brusného kotouče, trhliny nebo známky nadměrného opotřebení opěrného kotouče, nebo uvolněné nebo ulomené drátky drátěného kartáče. Pokud vám elektrické nářadí nebo příslušenství spadne na zem, zkontrolujte, zda nedošlo k jeho poškození, popřípadě nainstalujte nepoškozené příslušenství. Zkontrolujte, zda nejsou uvolněné nebo ulomené drátky na drátěném kartáči. Pokud vám elektrické nářadí nebo příslušenství spadne na zem, zkontrolujte, zda nedošlo k jeho poškození, popřípadě nainstalujte nepoškozené příslušenství. Jakmile provedete kontrolu a nasadíte příslušenství, musíte vy i ostatní přítomné osoby zaujmout polohu mimo rovinu otáčení příslušenství. Pak zapněte elektrické nářadí na maximální volnoběžné otáčky na dobu jedné minuty. Poškozené příslušenství se v průběhu této testovací doby obvykle rozpadne.
- h. **Používejte osobní ochranné pomůcky.** V závislosti na konkrétní aplikaci používejte ochranný obličejový štít, ochranné brýle nebo bezpečnostní ochranné brýle. Podle potřeby používejte protiprašnou masku, chránič sluchu, rukavice a zástěru schopnou zastavit drobné částice brusiva nebo úlomky obrobku. Ochrana očí musí být schopná zastavit letící úlomky vznikající při různých operacích. Protiprašná maska nebo respirátor musí být schopné odfiltrovat částice vznikající při vaší práci. Dlouhá expozice vysoce intenzivnímu hluku může způsobit ztrátu sluchu.
- i. **Okolostojící osoby musí být bezpečně vzdálené od pracoviště.** Každý, kdo vstupuje do pracovního prostoru, musí být vybaven osobními ochrannými pomůckami. Úlomky obrobku nebo prasklého příslušenství mohou odletnout a způsobit zranění i mimo bezprostřední místo provozu.
- j. **V případech, kdy se může řezný nástroj dostat do kontaktu se skrytým elektrickým vedením nebo vlastním napájecím kabelem, držte elektrické nářadí při provádění pracovních operací pouze za izolované části rukojeti.** Kontakt řezných nástrojů s „živým“ vodičem může způsobit, že neizolované kovové části elektrického nářadí budou pod napětím a způsobí obsluze úraz elektrickým proudem.
- k. **Prívodní kabel ved'te v dostatečné vzdálenosti od rotujícího příslušenství.** Pokud byste ztratili/a kontrolu nad nářadím, mohl/a byste kabel přefříznout nebo zachytit a vaše ruka nebo rameno by se mohla přitáhnout k rotujícímu příslušenství.
- l. **Nikdy neodkládejte elektrické nářadí, dokud se příslušenství úplně nezastaví.** Otáčející se příslušenství se může zakousnout do povrchu a způsobit, že ztratíte kontrolu nad elektrickým nářadím.
- m. **Při přenašení elektrického nářadí po svém boku jej nenechávejte běžet.** Při náhodném kontaktu s rotujícím příslušenstvím by mohlo dojít k zachycení vašeho oblečení a přitážení příslušenství k vašemu tělu.
- n. **Pravidelně čistěte větrací otvory elektrického nářadí.** Ventilátor motoru nasává prach dovnitř skříně motoru a nadměrná akumulace kovového prášku může způsobit úraz elektrickým proudem
- o. **Elektrické nářadí nepoužívejte v blízkosti hořlavých materiálů.** Jiskry by mohly tyto materiály zapálit.
- p. **Nepoužívejte příslušenství, která vyžadují použití chladicí kapaliny.** Použití vody nebo jiných chladících kapalin může mít za následek usmrcení nebo úraz elektrickým proudem.

ZPĚTNÝ RÁZ A ODPOVÍDAJÍCÍ VAROVÁNÍ

Zpětný ráz je náhlá reakce na sevření nebo zaseknutí otáčejícího se kotouče, opěrného kotouče, brusného kartáče nebo jiného příslušenství. Sevření nebo zaseknutí způsobí prudké zastavení rotujícího nástroje příslušenství, což má za následek vynucený pohyb nekontrolovaného elektrického nářadí proti směru otáčení nástroje příslušenství v místě uvíznutí. Například, pokud dojde k zaseknutí nebo sevření brusného kotouče obrobkem, okraj kotouče, který vnikne do místa sevření, se může zaseknout do povrchu materiálu a způsobit vylétnutí nebo vyskočení kotouče. Kotouč může vyskočit směrem k obsluze nebo od obsluhy, v závislosti na směru pohybu kotouče v místě sevření. Za těchto podmínek může také dojít k prasknutí brusných kotoučů. Zpětný ráz je výsledkem nesprávného použití elektrického nářadí a/nebo nesprávných pracovních postupů nebo podmínek a lze mu zamezit pomocí níže uvedených vhodných opatření.

- a. **Elektrické nářadí při práci pevně držte a zaujměte takovou polohu těla a paží, abyste mohli vzdorovat silám zpětnému rázu.** Pro maximální zvládnutí zpětného rázu nebo reakce krotivého momentu při rozběhu vždy používejte pomocnou rukojeť, pokud je k dispozici. Při zajištění vhodných opatření může obsluha reakční momenty a síly zpětného rázu zvládnout.
- b. **Nikdy nedávejte ruce do blízkosti rotujícího příslušenství.** Příslušenství může odskočit zpět přes vaše ruce.
- c. **Nestůjte svým tělem v místě, kam se elektrické nářadí v případě zpětného rázu posune.** Zpětný ráz nástroj vystřelí opačným směrem, než je otáčení kotouče v místě zaseknutí.
- d. **Nestůjte svým tělem v místě, kam se elektrické nářadí v případě zpětného rázu posune.** Zpětný ráz nástroj vystřelí opačným směrem, než je otáčení kotouče v místě zaseknutí.

- e. **Nenasazuje pilový řetěz na dřevo nebo ozubený pilový kotouč.** Takové kotouče způsobují zpětný ráz a ztrátu kontroly.
- f. **Nepřipojujte vyztužený odřezávací brusný kotouč.** Tyto nástroje se mohou odломit a způsobit zranění.

BEZPEČNOSTNÍ VAROVÁNÍ SPECIFICKÉ PRO BROUŠENÍ:

- a. **Používejte pouze takové typy kotoučů, které jsou doporučeny pro vaše elektrické nářadí, a speciální kryt určený pro zvolený kotouč.** Kotouče, pro které nebylo elektrické nářadí určeno, nelze odpovídajícím způsobem zabezpečit, a proto jsou nebezpečné.
- b. **Brusný povrch středově stlačených kotoučů musí být namontován pod rovinou ochranné lišty.** Nesprávně namontovaný kotouč, které vyčnívá přes rovinu ochranné lišty, nemůže být dostatečně chráněn.
- c. **Ochranný kryt musí být bezpečně upevněn k elektrickému nářadí a pro maximální bezpečnost umístěn tak, aby co nejmenší část kotouče byla odkryta směrem k obsluze.** Ochranný kryt pomáhá chránit obsluhu před úlomky prasklého kotouče, náhodným dotykem s kotoučem a před jiskrami, které by mohly způsobit vznícení oděvu.
- d. **Kotouče mohou být používány pouze pro doporučené aplikace. Například: Neprovádějte broušení boční stranou řezacího kotouče.** Abrazivní rozbrušovací kotouče jsou určeny k obvodovému broušení, boční síly působící na tyto kotouče mohou způsobit jejich roztržení.
- e. **Vždy používejte nepoškozené příruby, které mají správný rozměr a tvar pro váš vybraný kotouč.** Správné příruby podepírají kotouče a tím snižují možnost prasknutí kotouče. Příruby pro abrazivní rozbrušovací kotouče se mohou lišit od přírub pro brusné kotouče.
- f. **Nepoužívejte opotřebené kotouče z většího elektrického nářadí.** Kotouče určené pro větší elektrické nářadí nejsou vhodné pro vyšší otáčky menšího nářadí a mohou se roztrhnout.

BEZPEČNOSTNÍ VAROVÁNÍ SPECIFICKÉ PRO BROUŠENÍ DŘEVA BRUSNÝM PAPIREM:

- a. **Nepoužívejte brusné kotouče s nadměrnou velikostí zrna. Při výběru brusného papíru postupujte podle doporučení výrobce. Brusný papír přechýlující přes přítláčný brusný talíř představuje riziko tržného poranění a může způsobit zaseknutí, roztržení kotouče nebo zpětný ráz.**
- b. **Nastavte rychlost na rychlost doporučenou pro smirkování. U vysokorychlostního smirkování je nebezpečí tržných ran a popálenin.**

DALŠÍ BEZPEČNOSTNÍ UPOZORNĚNÍ



Používejte ochranu sluchu; Používejte ochranu očí; Používejte ochrannou masku; Používejte ochranné rukavice.

- a. **Pro zjištění přítomnosti vedení v pracovní oblasti používejte vhodné detektory nebo kontaktujte místní provozovatele infrastruktury.** Kontakt s elektrickým vedením může způsobit požár a elektrický šok. Poškození plynového vedení může vést k výbuchu. Poškození vodovodního řádu vede k poškození majetku nebo může způsobit elektrický šok.
- b. Při přerušení napájení uvolněte hlavní vypínač a nastavte jej do polohy vypnuto, např. při přerušení dodávky proudu nebo při vytažení hlavní zástrčky.
- c. Brusných a řezacích disků se nedotýkejte dokud nevychladnou. Při práci se disky mohou zahřát na velmi vysokou teplotu.
- d. Upevněte pracovní materiál. Materiál upevněný ve svorkách nebo ve svěráku je bezpečněji upevněný než v ruce.

SEZNÁMENÍ S VAŠÍM NÁSTROJEM

POPIS A SPECIFIKACE PRODUKTU



Prostudujte si všechna bezpečnostní upozornění a pokyny. Nedodržení těchto upozornění a pokynů může vést k elektrickému šoku, požáru a/nebo vážnému zranění.

CE - Prohlášení o shodě:

Společnost Arbortech prohlašuje, že produkt MIN.FG.900.60 a MIN.FG.910.60 popsány v „Technických specifikacích“ tohoto manuálu se vyrábí v souladu s dokumenty podle normy EN 60745 EMC 2014/30/EU and RoHS 2011/65/EU směrnice

Technický soubor podle Směrnice o strojních zařízeních 2006/42/ES je k dispozici na: Arbortech PTY LTD | 67 Westchester Road, Malaga, WA 6090



Sven Blicks

Generální ředitel

URČENÉ POUŽITÍ

Mini řezačka je určená pro broušení, řezání a smirkování kovů, kamene a dřeva bez použití vody.

Poznámka: Text, diagramy a údaje jsou správné k datu tisku. Z důvodu neustálého zlepšování našich produktů se mohou technické specifikace změnit bez předchozího upozornění.

Při práci na materiálech, které vytvářejí prach, použijte příslušenství pro sběr prachu.

Výkon	230	V
Klasifikace výkonu	1000	W
Frekvence	50	Hz
Třída ochrany	II	II
Udaná rychlost	6000-19500	Rpm
Průměr nástroje	54	mm
Velikost upevňovacího vrtáku	9.5	mm
Velikost upevňovacího šroubu	M5	mm
Váha	2.35	kg
Vibrace (k=1.5)	7.31	m/sec ²
Hluk (k=3.0)	96	dB(A)

UPOZORNĚNÍ: Uvedené vibrace se vztahují k hlavnímu použití tohoto nástroje. Nicméně, pokud je nástroj používán pro jiné účely s jiným příslušenstvím, nebo pokud jsou přídatné nástroje špatně udržovány, úroveň vibrační může být jiná. Tím se může úroveň vystavení vibracím průběhu práce výrazně zvýšit.

Odhad úrovně vystavení vibracím by měl rovněž brát v potaz čas, kdy je nástroj vypnutý, nebo kdy je zapnutý, ale nepracuje. Tím se může úroveň vystavení vibracím v průběhu práce výrazně snížit. Hledejte doplňující bezpečnostní opatření, abyste tak chránili uživatele před účinky vibrace.

VYBALENÍ A SLOŽENÍ

Nástroj zkontrolujte, abyste se přesvědčili, že při jeho přepravě nedošlo k poškození nástroje nebo jeho příslušenství. Pokud je nástroj poškozený, bez prodlení to nahlaste prodejci.

Přídavný držák vyjměte z krabice a připevňte jej na nástroj. (Obr. A)

Ujistěte se, že upevňovací šroub (18) je před použitím vždy plně dotažený.

VLASTNOSTI PRODUKTU A SEZNAM SOUČÁSTÍ

ITEM	Vlastnosti a součásti nástroje
1	Tělo Mini Carver/Mini Grinder Trade
2	Přídavný držák
3	Hlavní vypínač
4	Nastavení rychlosti
5	Tlačítko pro uzamčení pohonu
6	Prodlužovací rameno
7	Mini hřídel
8	Ložiska
9	Kryt ložisek
10	Šroub s kulatou hlavíčkou 4g
11	Malá řemenice
12	Velká řemenice
13	Řemen
14	Bezpečnostní kryt
15	Šroub s kulatou hlavíčkou 6g
16	Mini Pro Čepel ¹
17	Podložka svorky
18	Upevňovací šroub M5
19	Kryt sběru prachu
20	Smirková podložka
21	Smirkový papír
22	Pouzdro svorky
23	Zapuštěný šroub
24	Diamantový řezný kotouč ²
25	Brusný kotouč ²
26	Zámek vřetena - kryt
27	Listová pružina
28	Zamykací lišta
29	Zamykací tlačítko

¹ Zahrnuty s Mini Carver

² Zahrnuty s Mini Grinder Trade

VLASTNOSTI PRODUKTU A SEZNAM SOUČÁSTÍ

Obr A, Obr. B, Obr. C

UPEVNŮVACÍ NÁSTROJE A PŘÍSLUŠENSTVÍ

UPOZORNĚNÍ: Pro minimalizaci rizika zranění před jakýmkoli nastavením nebo odstraňováním/připojováním nástrojů či příslušenství nástroj vypněte a odpojte od napájení.

1. VÝMĚNA ŘEZNÝCH A BRUSNÝCH KOTOUČŮ

Do mini hřídele (7) vložte rovný šroubovák, abyste tak zabránili otáčení, a poté odstraňte upevňovací šroub (18) s použitím imbusu dodávaného s nástrojem (Obr. D). Čepel nahrad'te jiným produktem doporučeným společností Arbortech tak, jak je ukázáno na následujících diagramech.

Nový kotouč umístěte přes malou řemenici tak, aby byl správně vycentrován a seděl přesně proti povrchu řemenice. Podložku svorky (17) umístěte na kotouč a poté přiložte a utáhněte upevňovací šroub (18) v ukázaném pořadí (Obr. E). Ujistěte se, že značení na kotouči je vidět a šipka naznačující směr otáčení ukazuje stejným směrem jako šipka na zadní straně krytu.

! **UPOZORNĚNÍ:** Nesprávné upevnění kotouče na řemenici může mít za následek vážná zranění nebo poškození nástroje.

2. UPEVNĚNÍ SMIRKOVÉ DESTIČKY

Pro odstranění kotouče postupujte podle výše uvedených kroků (krok 1).

Nejprve nastavte do správné polohy na smirkové destičce (20) smirkový papír (21). Poté vložte zapuštěný šroub (23) do pouzdra svorky (22) a společně je vložte do středního otvoru v smirkové destičce. Smirkovou destičku vložte na malou řemenici (11) (Obr. F) a utáhněte šroub na mini hřídeli.

PEVNĚNÍ SBĚRU PRACHU

Pro připevnění sběru prachu nejprve vložte přední přichytky krytu sběru prachu (19) pod otvory v ochranném krytu, poté přitlačte zadní konec tak, aby úchytky zaklaply do bočních přichytek prodlouženého ramene tak, jak to ukazuje obr.G. Hadici vysavače nasad'te na otvor pro sběr prachu (Obr. H). Sběr prachu lze připojit na hadice o průměru 35 mm.

Pro odstranění krytu sběru prachu odsuňte západku sběru prachu stranou od prodlouženého ramene a vytáhněte ji v opačném směru

UPOZORNĚNÍ:

- Pro snížení rizika zranění vždy používejte sběr prachu.
- Při řezání kamene vždy zajistěte dostačující odsávání prachu.
- Vysavač musí být schválený pro odsávání prachu z kamene
- Používejte prachovou masku.
- Nástroj lze používat pouze pro řezání/broušení za sucha.



UPOZORNĚNÍ: VŽDY POUŽÍVEJTE SPRÁVNÝ OCHRANNÝ ODĚV VČETNĚ OCHRANY SLUCHU, ZRAKU A PLIC.

NEPOUŽÍVEJTE nástroj ve vlhku nebo v blízkosti hořlavých kapalin či plynů.

POZOR: Při práci s materiály ošetřenými jedovatými látkami nebo s materiály, které tyto látky obsahují, používejte správné osobní ochranné prostředky a dodržujte příslušné místní bezpečnostní předpisy.

PROVOZ

Při práci s Mini Carver/Mini Grinder Trade vždy používejte obě ruce. Levou rukou držte přídavný držák a pravou rukou držte tělo nástroje (Obr. J)

Ujistěte se, že nástroj běží, **PŘEDTÍM**, než přijde do kontaktu s materiálem, na kterém pracujete. Při smirkování, broušení nebo řezání dřeva držte Mini Carver/Mini Grinder Trade tak, jak je to ukázáno na Obr. K.

ŘEZÁNÍ

Pro řezání nebo odstraňování dřeva či plastů použijte mini průmyslovou čepel.

Mini smirkové destičky použijte při čištění a smirkování dřeva, plastů, kovu, barev a dalších materiálů.

Pro řezání či odbrušování jakéhokoli zednického materiálu používejte diamantovou čepel.

Použijte brusný kotouč k broušení kovu.

ZAHÁJENÍ PROVOZU

Dodržujte správné napětí! Napětí napájení musí být shodné s napětím uvedeným na štítku nástroje. Elektrické nástroje označené 230-240V se rovněž mohou používat s napětím 220 V.

ÚHEL A SMĚR ŘEZÁNÍ

25-30° je pohodlný úhel řezání.

Používejte spodní hranu čepel (tak, jak ukazuje Obr. L/M) a ne tak, jak je to ukázáno na Obr. N.

ZAPÍNÁNÍ A VYPÍNÁNÍ

Pro zapnutí elektrického nástroje stiskněte hlavní vypínač 3 směrem dopředu.

Pro uzamčení hlavního vypínače 3 stiskněte hlavní vypínač 3 ve směru tak, aby se uzamkl.

Pro zapnutí elektrického nástroje uvolněte hlavní vypínač 3 nebo pokud ne uzamčený krátce stiskněte zadní část hlavního vypínače 3 a uvolněte jej.

- Před použitím zkontrolujte brusné nástroje. Brusný nástroj musí být řádně upevněn a musí se volně pohybovat.

Před použitím brusku vyzkoušejte v provozu bez zátěže. Nepoužívejte nástroje, pokud jsou poškozené nebo vychýlen ze středy.

POZOR:

Ochrana před opětovným zapnutím - ochrana před opětovným zapnutím zamezuje opětovnému zapnutí nástroje po přerušení napájení. Pro opětovné zapnutí stiskněte hlavní vypínač 3 do polohy vypnuto a poté nástroj znovu zapněte.

UPOZORNĚNÍ:


- **Vždy si prostudujte bezpečnostní pokyny a příslušné předpisy**
- **Materiál, se kterým budete pracovat, řádně podepřete a zajistěte tak, abyste zamezili jeho pohybu nebo ztrátě kontroly nad ním.**
- **Netlačte na nástroj nebo nástroj nezatažujte tak silně, že se zastaví.**
- **Po přílišném zatížení nástroje pokračujte v jeho používání bez zatížení po dobu několika minut, aby příslušenství vychladlo.**
- **Brusných a řezných kotoučů se nedotýkejte dokud nevychladnou. Při práci se disky mohou zahřát na velmi vysokou teplotu.**

NÁSTROJ	NASTAVENÍ VÝKONU	APLIKACE
Mini Pro Čepel ¹	5-6	Řezání dřeva
Diamantový kotouč ²	5-6	Broušení kamene
Brusný kotouč ²	5-6	Broušení kovu
Smirková destička	1-3	Smirkování dřeva, kovu a jiných materiálů. U hrubších smirkových papírů používejte nižší rychlosti.

¹ Zahrnutý s Mini Carver

² Zahrnutý s Mini Grinder Trade

ÚDRŽBA

 **UPOZORNĚNÍ: PŘED NASTAVOVÁNÍM, ČIŠTĚNÍM NEBO PŘED JAKOUKOLI PRACÍ NA NÁSTROJI ODPOJTE NÁSTROJ OD ZDROJE NAPĚTÍ.**

ČIŠTĚNÍ MŘÍŽEK A VYPÍNAČE

Nástroj pravidelně kontrolujte, abyste se přesvědčili, zda se do mřížek na přední a zadní straně motoru (Obr. O a P) nebo pod hlavní vypínač (Obr. A) nedostal prach nebo jiné nežádoucí předměty.

Pokud se tak stane, použijte měkký kartáč pro odstranění nahromaděného prachu a pro vyčištění mřížek a vypínače.

NAPÍNÁNÍ NEBO VÝMĚNA ŘEMENE

Mini Carver/Mini Grinder Trade odpojte od zdroje napětí.

Odstraňte nůž a ochranný kryt (14), poté zvedněte zadní stranu ochranného krytu a posuňte kryt dozadu a zvedněte jej (obr.Q). Odšroubujte 4 šrouby (10) (obr. R), dokud se víko ložiska (9) a kryt zámku vřetena (26) nebudou moci otáčet uvnitř ramene.

Otočte součásti 9 a 26 dohromady proti směru hodinových ručiček (obr. R), dokud se šrouby nezarovnájí s další pozicí otvoru v rameni (obr. S). To způsobí, že se malá kladka bude pohybovat a vytvoří napětí v řemenu. Ujistěte se, že je řemen správně umístěn přes řemenice, jak je znázorněno na (obr. T) a malá řemenice je zcela zasunuta na vřeteno.

Po dokončení napínání utáhněte šrouby. Poté zajistěte ochranný kryt na rameni a nainstalujte nůž.

NEPŘEPÍNEJTE ŘEMEN

Poznámka: okolí čistěte měkkým hadříkem nebo malým kartáčem.

**Pro příslušenství a
náhradní díly navštivte
www.arbortechtools.com**

*Výrobce si vyhrazuje právo měnit specifikace bez předchozího upozornění.

****Poznámka:** Specifikace se mohou v různých zemích lišit.

POZNÁMKA: Motor se může od typu zobrazeného na krabici lišit v závislosti na

specifikacích požadovaných pro vaši zemi.

CZECH

ARBORTECH™

**ARBORTECH PTY LTD 67 WESTCHESTER ROAD
MALAGA 6090**

PERTH WESTERN AUSTRALIA
Tel: 08 9249 1944 Fax: 08 9249 2936

U.S.A. -Tollfree: 866-517-7869
U.S.A Office: 978-466-7945 U.S.A Fax: 866-515-8104
EUROPE: Tel: +49 2724-288301
Fax: +49 2724-205515

www.arbortechtools.com
Facebook: @arbortechtools
Email: arbortech@arbortech.com.au



ALGEMENE VEILIGHEIDSWAARSCHUWINGEN VOOR ELEKTRISCH GEREEDSCHAP



**WAARSCHUWING - LEES ALLE
VEILIGHEIDSWAARSCHUWINGEN,
INSTRUCTIES, ILLUSTRATIES
EN SPECIFICATIES DIE BIJ DIT
ELEKTRISCH GEREEDSCHAP
WORDEN GELEVERD.**

Het niet opvolgen van de waarschuwingen en instructies kan leiden tot een elektrische schok, brand en/of ernstig persoonlijk letsel.

BEWAAR ALLE WAARSCHUWINGEN EN INSTRUCTIES ALS TOEKOMSTIG REFERENTIEMATERIAAL

De term „elektrisch gereedschap“ in de waarschuwingen verwijst naar uw (met een snoer) op de netspanning aangesloten elektrische gereedschap of naar (draadloos) elektrisch gereedschap met een accu.

1) VEILIGHEID WERKPLAATS

- a) **Houd het werkgebied schoon en goed verlicht.** Rommelige of donkere gebieden zorgen voor ongelukken.
- b) **Bedien elektrische gereedschappen niet in een explosieve omgeving, zoals in de nabijheid van ontvlambare vloeistoffen, gassen of stof.** Elektrische gereedschappen veroorzaken vonken die het stof of de dampen kunnen doen ontbranden.
- c) **Houd kinderen en omstanders op een afstand terwijl u een elektrisch gereedschap bedient.** Als u wordt afgeleid kunt u de controle over het gereedschap verliezen.

2) ELEKTRISCHE VEILIGHEID

- a) **Stekkers van elektrisch gereedschap moeten in het stopcontact passen. Pas de stekker nooit op enige manier aan. Gebruik geen adapterstekkers samen met geaard elektrisch gereedschap.** Niet aangepaste stekkers en passende contactdozen verminderen het risico op een elektrische schok.
- b) **Vermijd lichamelijk contact met geaarde oppervlaktes zoals buizen, radiatoren, fornuizen en ijskasten.** Er bestaat een verhoogd risico op een elektrische schok als uw lichaam geaard is.

- d) **Behandel het stroomsnoer voorzichtig. Gebruik het stroomsnoer nooit om het elektrische gereedschap te dragen of te trekken, of de stekker uit het stopcontact te halen. Houd het snoer uit de buurt van warmte, olie, scherpe randen, of bewegende onderdelen.** Beschadigde snoeren of snoeren die in de war zijn verhogen het risico op een elektrische schok.
- e) **Als u een elektrisch gereedschap buitenshuis gebruikt, gebruikt u een verlengsnoer dat geschikt is voor gebruik buitenshuis.** Het gebruik van een verlengsnoer dat geschikt is voor buitenshuis, vermindert het risico op een elektrische schok.
- f) **Als het gebruik van een elektrisch gereedschap op een vochtige locatie onvermijdelijk is, gebruikt u een stroomvoorziening die beveiligd is met een aardlekschakelaar.** Het gebruik van een aardlekschakelaar vermindert het risico op een elektrische schok.

3) PERSOONLIJKE VEILIGHEID

- a) **Blijf alert, kijk wat u doet en gebruik uw gezonde verstand als u een elektrisch gereedschap bedient. Gebruik het gereedschap niet als u vermoeid bent of onder de invloed van drugs, alcohol of medicatie bent.** Een moment van onoplettendheid tijdens het bedienen van elektrische gereedschappen kan leiden tot ernstig persoonlijk letsel.
- b) **Gebruik een beschermende uitrusting. Draag altijd oogbescherming.** Beschermende uitrusting zoals een stofmasker, antislip veiligheidsschoenen, een helm, of gehoorbescherming gebruikt in de juiste omstandigheden zal het risico op persoonlijk letsel verminderen.
- c) **Vermijd onbedoeld starten. Zorg ervoor dat de schakelaar in de „off“ (uit) stand staat voordat u het gereedschap aansluit op de stroombron en/ of accu, het oppakt of ronddraagt.** Het rondragen van elektrische gereedschappen met uw vinger op de schakelaar of het aanzetten van elektrische gereedschappen waarvan de schakelaar aan staat, zorgt voor ongelukken.
- d) **Verwijder alle stelsleutels of moersleutels voordat u het elektrische gereedschap aanzet.** Een moersleutel of stelsleutel die in een ronddraaiend onderdeel van het elektrische gereedschap is achtergelaten kan leiden tot persoonlijk letsel.
- e) **Rek u niet te ver uit. Blijf altijd stevig en in balans op de grond staan.** Dit zorgt voor betere controle van het elektrische gereedschap in onverwachte situaties.

- f) **Draag geschikte kleding. Draag geen loszittende kleding of sieraden. Houd uw haar, kleding en handschoenen uit de buurt van bewegende onderdelen.** Loszittende kleding, sieraden of lang haar kunnen door bewegende delen worden gegrepen.
- g) **Als er in apparaten wordt voorzien voor het aansluiten van stofverwijdering- of verzamelapparatuur, zorg er dan voor dat deze correct worden aangesloten en gebruikt.** Het gebruik van een stofverzamelaar kan aan stof gerelateerde gevaren verminderen.
- h) **Veronachtzaam de veiligheid niet, als u door veelvuldig gebruik van het gereedschap een ervaren gebruiker geworden bent en slordig wordt.** Een onvoorzichtige handeling in een oogwenk ernstige verwondingen veroorzaken.
- g) **Gebruik het elektrische gereedschap, de accessoires en gereedschapsonderdelen enz. in overeenstemming met deze instructies, waarbij u rekening houdt met de werkomstandigheden en de werkzaamheden die dienen te worden uitgevoerd.** Gebruik van het elektrische gereedschap voor werkzaamheden die anders zijn dan het bedoelde gebruik, kunnen leiden tot een gevaarlijke situatie.
- h) **Houd handgrepen en grijpoppervlakken droog, schoon, vet- en olievrij.** Gladde handgrepen en grijpoppervlakken zijn niet veilig om het gereedschap in onverwachte situaties te hanteren.

4) GEBRUIK EN VERZORGING VAN ELEKTRISCH GEREEDSCHAP

- a) **Forceer het gereedschap niet. Gebruik het juiste elektrische gereedschap voor uw toepassing.** Het juiste elektrische gereedschap voert de werkzaamheden beter en veiliger uit waarvoor het is ontworpen.
- b) **Gebruik het gereedschap niet als de schakelaar het niet aan en uit kan zetten.** Ieder gereedschap dat niet met de schakelaar kan worden bediend is gevaarlijk en moet worden gerepareerd.
- c) **Haal de stekker uit het stopcontact en/of neem de accu uit het gereedschap voordat u aanpassingen uitvoert, accessoires verwisselt, of het elektrische gereedschap opbergt.** Dergelijke preventieve veiligheidsmaatregelen verminderen het risico dat het elektrische gereedschap per ongeluk opstart.
- d) **Bewaar gereedschap dat niet wordt gebruikt buiten het bereik van kinderen en laat niet toe dat personen die onbekend zijn met het elektrische gereedschap of deze instructies het gereedschap bedienen.** Elektrische gereedschappen zijn gevaarlijk in handen van ongetrainde gebruikers
- e) **Onderhoud elektrische gereedschappen. Controleer op verkeerde uitlijning en het grijpen van bewegende onderdelen, breuk van onderdelen en andere omstandigheden die de werking van het gereedschap nadelig kunnen beïnvloeden. Zorg dat het gereedschap voor gebruik wordt gerepareerd als het beschadigd is.** Veel ongelukken worden veroorzaakt door slecht onderhouden gereedschap.
- f) **Houd snijdgereedschap scherp en schoon.** Correct onderhouden snijdgereedschappen met scherpe snijdranden lopen minder snel vast en zijn gemakkelijker te beheersen.

5) SERVICE

- a) **Zorg dat u gereedschap wordt onderhouden door een erkende reparateur die uitsluitend identieke vervangende onderdelen gebruikt.** Dit zorgt ervoor dat de veiligheid van het gereedschap blijft gegarandeerd.



MINI CARVER/MINI GRINDER TRADE VEILIGHEIDSWAARSCHUWINGEN

ALGEMENE VEILIGHEIDSWAARSCHUWINGEN VOOR SLIJPEN, SCHUREN OF HOUTBEWERKING:

- a) Dit elektrische gereedschap is bedoeld om gebruikt te worden als slijpmachine, schuurmachine of als houtsnijgereedschap Lees alle veiligheidswaarschuwingen, instructies, illustraties en specificaties die bij dit elektrisch gereedschap zijn meegeleverd. Het niet naleven van alle onderstaande instructies kan een elektrische schok, brand en/of ernstig letsel tot gevolg hebben.
- b) **Het wordt niet aanbevolen werkzaamheden zoals polijsten met dit elektrisch gereedschap uit te voeren.** Werkzaamheden waarvoor het elektrische gereedschap niet is ontworpen, kunnen leiden tot gevaarlijke situaties en lichamelijk letsel.
- c) **Gebruik geen accessoires die niet speciaal ontworpen en aanbevolen zijn door de fabrikant van het gereedschap.** Het feit dat een accessoire aan uw gereedschap kan worden bevestigd wil nog niet zeggen dat dit een veilige bediening garandeert.
- d) **Het nominale toerental van het accessoire moet tenminste gelijk zijn aan het maximale toerental zoals dit op het gereedschap staat vermeld.** Accessoires die sneller draaien dan hun nominale toerental kunnen breken en wegschieten.

- e) **De buitendiameter en de dikte van uw accessoire moeten binnen het nominale vermogen van uw gereedschap liggen.** Accessoires met een onjuiste grootte kunnen niet voldoende worden vastgemaakt of beheerst.
- f) **Wanneer u accessoires monteert door middel van schroefdraad moet de schroefdraad overeenkomen met die van de as van de slijpmachine. Voor accessoires die zijn gemonteerd door middel van flenzen moet het drevelgat van het accessoire passen bij de plaatsingsdiameter van de flens.** Accessoires die niet passen op de bevestigingshardware van het gereedschap zullen uit balans raken en/of extreem trillen en kunnen u de controle over het gereedschap doen verliezen.
- g) **Gebruik een accessoire niet als ze beschadigd is. Controleer het accessoire zoals een schuurwiel voor gebruik op schilfers en barstjes, steunkussens op barstjes, scheurtjes of excessieve slijtage, staalborstels op losse of gespleten draden. Als het gereedschap of het accessoire is gevallen, controleert u dit op schade of plaatst u een onbeschadigd accessoire. Na het controleren en plaatsen van een accessoire zorgt u dat u en omstanders uit de buurt van het bereik van het ronddraaiende accessoire blijft en zet u het gereedschap gedurende een minuut aan op maximale snelheid zonder weerstand.** Beschadigde accessoires breken gewoonlijk af tijdens deze testtijd.
- h) **Draag persoonlijke beschermende kleding. Afhankelijk van de toepassing gebruikt u gezichtsbedekking en een beschermende veiligheidsbril. Indien van toepassing draagt u een stofmasker, gehoorbescherming, handschoenen en een werkschort die kleine afgeschuurde deeltjes of deeltjes van het werkstuk tegenhouden.** De oogbescherming moet rondvliegende brokstukken die door de diverse werkzaamheden vrijkomen tegen kunnen houden. Het stofmasker e.d. moet in staat zijn om partikeltjes die door uw werkzaamheden vrijkomen te filteren. Langdurige blootstelling aan inrijnde geluiden kan gehoorverlies veroorzaken.
- i) **Houd omstanders op een veilige afstand van het werkgebied. Iedereen die het werkgebied betreedt moet persoonlijke beschermende kleding dragen.** Brokstukken van het werkstuk of van een afgebroken accessoire kunnen wegvliegen en letsel buiten het directe werkgebied veroorzaken.
- j) **Houd het elektrisch gereedschap alleen vast aan geïsoleerde oppervlakten wanneer u een handeling uitvoert waarbij het snijgereedschap in contact kan komen met verborgen bedrading of het eigen stroomsnoer.** Accessoires van snijgereedschap die in contact komen met bedrading die onder stroom staat, kunnen metalen onderdelen van het gereedschap onder stroom zetten en de gebruiker een elektrische schok geven.
- k) **Plaats het stroomsnoer buiten het bereik van het ronddraaiende accessoire.** Als u de controle verliest, wordt het snoer mogelijk doorgesneden of gegrepen en kan uw hand of arm in het draaiende accessoire worden getrokken.
- l) **Leg het gereedschap nooit neer voordat het accessoire volledig tot stilstand is gekomen.** Het ronddraaiende accessoire kan mogelijk in contact met de oppervlakte komen waardoor u de controle over het gereedschap verliest.
- m) **Gebruik het gereedschap niet terwijl u het aan uw zijde draagt.** Per ongeluk contact met het ronddraaiende accessoire kan uw kleding grijpen waardoor het accessoire naar uw lichaam wordt getrokken.
- n) **Maak de luchtgaten van het gereedschap regelmatig schoon.** De ventilator van de motor zuigt het stof in de behuizing en extreme ophoping van metaaldeeltjes kan een elektrische schok veroorzaken.
- o) **Bedien het gereedschap niet in de buurt van ontvlambare materialen.** Vonken kunnen deze materialen doen ontbranden.
- p) **Gebruik geen accessoires die koelvloeistof nodig hebben.** Het gebruik van water of andere koelvloeistoffen kan leiden tot elektrocutie of een elektrische schok.

OORZAKEN EN VOORKOMING VAN TERUGSLAG

Terugslag is een plotselinge reactie op een ronddraaiend wiel, steunkussen, borstel of ander accessoire dat bekneld of gegrepen wordt. Beknelling of grijpen zorgt voor het snel vastlopen van het ronddraaiende accessoire dat op zijn beurt zorgt dat het onbeheersbare gereedschap in de tegenovergestelde richting van de draaiing van het accessoire wordt gedwongen op het bevestigingspunt. Als bijvoorbeeld een schuurwiel wordt gegrepen of bekneld raakt door het werkstuk, kan de rand van het wiel die er bij het beknellingpunt ingaat in het oppervlak van het materiaal slaan waardoor het wiel naar buiten loopt of terugslaat. Het wiel kan ofwel naar de operator toe of van hem vandaan springen, afhankelijk van de richting van de wielbeweging op het beknellingpunt. Schuurwielen kunnen onder deze omstandigheden ook afbreken. Terugslag is het gevolg van een verkeerd gebruik en/of onjuiste gebruiksomstandigheden van het gereedschap en kan wordenvoorkomen door geschikte voorzorgsmaatregelen te nemen zoals hieronder vermeld:

- a) **Houd het gereedschap voortdurend stevig vast en plaats uw lichaam en arm zo dat u terugslagkrachten kunt weerstaan. Gebruik altijd een hulphandgreep indien meegeleverd voor maximale beheersing van terugslag of torsiereactie tijdens het opstarten.** De operator kan torsiereactie of terugslagkrachten beheersen als de juiste voorzorgsmaatregelen worden genomen.
- b) **Plaats uw handen nooit in de buurt van het ronddraaiende accessoire.** Het accessoire kan over uw hand terugslaan.
- c) **Plaats uw lichaam niet in het gebied waar het gereedschap naartoe zal gaan als zich terugslag voordoet.** Terugslag zorgt dat het gereedschap wegschiet in de tegenovergestelde richting van de wielbeweging op het beknellingpunt.
- d) **Wees extra voorzichtig als u hoeken, scherpe randen, enz. bewerkt. Voorkom dat het accessoire stuiterd of blijft hangen.** Hoeken, scherpe randen en stuiters kunnen er vaak toe leiden dat het ronddraaiende accessoire blijft hangen en kunnen verlies van controle of terugslag veroorzaken.
- e) **Bevestig geen houtsnijzaag of getand zaagblad aan het gereedschap.** Dergelijke zaagbladen kunnen herhaaldelijke terugslag en verlies van controle veroorzaken.
- f) **Bevestig geen versterkte slijpschijf aan het gereedschap.** Dergelijke gereedschappen kunnen afbreken en verwondingen veroorzaken.
- d) **Wielen mogen uitsluitend worden gebruikt voor de aanbevolen toepassingen. Bijvoorbeeld: slijp niet met de zijkant van een snijdwiel.** Schurende snijdwielen zijn bedoeld voor perifeer slijpen; zijwaartse krachten kunnen ervoor zorgen dat deze wielen barsten.
- e) **Gebruik altijd onbeschadigde wielflenzen van de juiste grootte en vorm voor het wiel van uw keuze.** De juiste wielflenzen ondersteunen het wiel en verminderen zo de mogelijkheid dat het wiel breekt. Flenzen voor snijdwielen kunnen verschillen van wielflenzen voor slijpen.
- f) **Gebruik geen versleten wielen van grotere elektrische gereedschappen.** Een wiel dat is bedoeld voor een groter elektrisch gereedschap is niet geschikt voor de hogere snelheid van een kleiner gereedschap en kan barsten.

VEILIGHEIDSWAARSCHUWINGEN SPECIAAL VOOR SCHUURWERKZAAMHEDEN

- a) **Gebruik geen schuurpapier dat veel te groot is. Volg de aanbevelingen van de fabrikant op bij het uitkiezen van schuurpapier.** Groter schuurpapier dat uit het schuurkussen steekt, veroorzaakt gevaar van openrijten en kan beknelling of scheuren van de schijf of terugslag veroorzaken.
- b) **Pas de snelheid van de aan zoals aanbevolen is voor schuurtoepassingen.** Schuren met hoge snelheid veroorzaakt risico op verwonding en brandgevaar.

VEILIGHEIDSWAARSCHUWINGEN SPECIAAL VOOR SLIJPENDE EN SCHURENDE SNIJDHANDELINGEN

- a) **Gebruik uitsluitend wieltypes die zijn aanbevolen voor uw elektrische gereedschap en de specifieke beveiliging die is ontworpen voor het gekozen wiel.** Wielen waarvoor het elektrische gereedschap niets is ontwikkeld kunnen niet adequaat worden beveiligd en zijn onveilig.
- b) **Het slijppoppervlak van de in het midden ingedrukte schijven moet worden gemonteerd onder het vlak van de beveiligingslip.** Een schijf die niet goed is gemonteerd en uitsteekt door het vlak van de beveiligingslip heen, kan niet naar behoren worden afgeschermd.
- c) **De beschermkap moet voor maximale veiligheid stevig zijn vastgemaakt aan en geplaatst zijn op het elektrisch gereedschap, zodat het gedeelte dat onafgeschermd is voor de gebruiker zo klein mogelijk is.** De beschermkap helpt de gebruiker te beschermen tegen afgebroken deeltjes van de schijf en voorkomt dat de gebruiker in contact komt met de schijf en met vonken die kleding in brand kunnen zetten.

AANVULLENDE VEILIGHEIDSWAARSCHUWINGEN



Draag gehoorbescherming; Draag oogbescherming; Draag een stofmasker; Draag beschermende handschoenen.

- a) **Gebruik geschikte detectoren om te bepalen of er elektriciteitsleidingen in het werkgebied zijn verborgen of bel het lokale energiebedrijf voor assistentie.** Contact met elektrische leidingen kan brand veroorzaken en elektrische schokken tot gevolg hebben. Beschadiging van een gasleiding kan tot ontploffing leiden. Het binnendringen van water veroorzaakt schade aan eigendommen of kan een elektrische schok veroorzaken.
- b) **Laat de aan/ uit-schakelaar los en zet hem in de uit-stand als de stroomvoorziening wordt onderbroken, bijvoorbeeld bij een stroomstoring of als de stekker uit het stopcontact wordt getrokken.**

- c) Raak de slijp- en snijschijven niet aan voordat ze zijn afgekoeld. De schijven kunnen tijdens het werk erg heet worden.
- d) Bevestig het werkstuk. Een werkstuk dat is vastgeklemd met kleminrichtingen of in een bankschroef is stabiel dan als het met de hand wordt vastgehouden.



WAARSCHUWING: Het aangegeven trillingsemissieniveau vertegenwoordigt de belangrijkste toepassingen van het gereedschap. Als het gereedschap echter voor verschillende toepassingen, met verschillende accessoires of inbrenggereedschap wordt gebruikt of slecht wordt onderhouden, kan de trillingsemissie verschillen. Dit kan het blootstellingsniveau tijdens de totale werkperiode aanzienlijk verhogen.

Bij een schatting van het niveau van blootstelling aan trillingen moet ook rekening worden gehouden met de tijdstippen waarop het gereedschap is uitgeschakeld of wanneer het draait, maar niet daadwerkelijk wordt gebruikt. Dit kan het blootstellingsniveau tijdens de totale werkperiode aanzienlijk verminderen. Bepaal aanvullende veiligheidsmaatregelen om de gebruiker te beschermen tegen de gevolgen van trillingen.

KEN UW GEREEDSCHAP

PRODUCTBESCHRIJVING EN SPECIFICATIES



Lees alle veiligheidswaarschuwingen en alle instructies. Het negeren van de waarschuwingen en instructies kan een elektrische schok, brand en/ of ernstig letsel tot gevolg hebben.

CE - Verklaring van overeenstemming:

Arbortech verklaart dat het product MIN.FG.900.60 en MIN.FG.910.60 dat in deze handleiding onder "Technische Specificaties" wordt beschreven, is vervaardigd in overeenstemming met de EN 60745-gestandaardiseerde documenten, EMC 2014/30/EU and RoHS 2011/65/EU richtlijnen

Technisch bestand in overeenstemming met Machinerichtlijn 2006/42/EG op: Arbortech PTY LTD | 67 Westchester Road, Malaga, WA 6090

Sven Blicks
General Manager

BEDOELD GEBRUIK

De Mini Carver/Mini Grinder Trade is bedoeld voor het slijpen, snijden en schuren van metaal, steen en hout zonder gebruik van water.

Opmerking: Tekst, diagrammen en gegevens zijn correct op het tijdstip van printen. In het belang van voortdurende verbetering van onze producten kunnen technische specificaties zonder voorafgaande kennisgeving worden gewijzigd.

Gebruik stofafzuigingsstoebehoren voor het werken met applicaties op materialen die stof creëren.

Vermogen	230	V
Vermogen	1000	W
Frequentie	50	Hz
Beschermingsklasse	II	II
Nominale snelheid	6000-19500	Rpm
Gereedschapsdiameter	54	mm
Maat boorbevestiging	9.5	mm
Bevestigingsschroefmaat	M5	mm
Gewicht	2.35	kg
Trillingsemissie (k = 1.5)	7.31	m/sec ²
Geluidsemissie (k=3.0)	96	dB(A)

UITPAKKEN EN MONTEREN

Inspecteer of er tijdens het transport geen schade aan het gereedschap en accessoires is ontstaan. Meld beschadiging onmiddellijk melden aan de verkoper.

Verwijder de extra handgreep uit de doos en bevestig die aan het gereedschap. (Fig. A)

Zorg ervoor dat de klemschroef (18) voor gebruik altijd volledig is vastgedraaid.

PRODUCTKENMERKEN EN LIJST VAN COMPONENTEN

ITEM	Kenmerken en componenten
1	Mini Carver/Mini Grinder Trade-behuizing
2	Extra handgreep
3	AANJUIT-schakelaar
4	Snelheidsregeling
5	Draaivergrendelknop
6	Uitschulfarm
7	Mini-as
8	Lagers
9	Lagerkap
10	Pan-schroef 4g
11	Kleine katrol
12	Grote katrol
13	Riem
14	Afslermkap
15	Panclinder 6g
16	Mini Pro schijf ¹
17	Klemring
18	Klemschroef M5
19	Stofafzuigkap
20	Schuurblok
21	Schuurpapier
22	Kiemhuls
23	Verzonken schroef
24	Diamanten snijschijf ²
25	Slijpschijf ²
26	Spindelvergrendeling - deksel
27	bladveer
28	Vergrendelingsbaak
29	Vergrendelknop

¹ Inbegrepen bij Mini Carver

² Inbegrepen bij Mini Grinder Trade

PRODUCTKENMERKEN EN LIJST VAN COMPONENTEN

Fig. A, Fig. B, Fig. C


MONTAGE HULPMIDDELEN EN ACCESSOIRES

 **WAARSCHUWING:** Om het risico op ernstig persoonlijk letsel te verminderen, schakelt u het gereedschap uit en ontkoppelt u het van de stroombron voordat u aanpassingen aanbrengt of gereedschap of accessoires verwijdert/installeert.

1. VERVANGEN VAN SNIJ- EN SLIJPSCHIJVEN

Steek een platte schroevendraaier in de mini-as (7) om draaiing te voorkomen en verwijder vervolgens de klemmschroef (18) met de inbussleutel die bij het gereedschap is geleverd (fig. D). Vervang het mes door andere door Arbortech aanbevolen producten, zoals weergegeven in de volgende diagrammen.

Plaats de nieuwe schijf over de kleine poelie, zorg ervoor dat deze goed gecentreerd is en stevig tegen de poeliezijde aangedrukt zit. Plaats de klemring (17) over de schijf en plaats vervolgens de klemmschroef (18) in de aangegeven volgorde (Fig. E) en draai deze aan. Zorg ervoor dat de markeringen op de schijf zichtbaar zijn en de rotatiepijl in dezelfde richting wijst als de pijl op de achterkant van de beschermkap.

 **WAARSCHUWING:** Als de schijven niet goed over de katrol worden gemonteerd, kan dit ernstig letsel of schade aan het gereedschap tot gevolg hebben.

2. MONTAGE VAN HET SCHUURBLOK

Volg de stappen om de hierboven beschreven schijf te verwijderen (stap 1).

Plaats eerst het schuurpapier (21) op het schuurblok (20) en breng dan de verzonken schroef (23) in de klembus (22) en plaats ze samen in het middelste gat van het schuurblok. Plaats vervolgens het schuurblok over de kleine riemschijf (11) (Fig. F) en draai de schroef vast op de mini-as.

3. MONTAGE VAN DE STOFEXTRACTIE


Om de stofafzuiging aan te brengen, plaatst u eerst de voorste nokken van de stofafzuigkap (19) onder de uitsparingen voor de beschermkap en duwt u vervolgens de achterkant omlaag om de vergrendelingen over de zijnokken van de uitschuifarm te klikken, zoals wordt getoond in Fig. G. Plaats de stofzuigerslang in het gat voor afzuiging (Fig. H). De stofafzuiging past op slangmaat Ø35mm.

Om de stofafzuigkap te verwijderen trekt u de

stofafzuigingsgrendel zijwaarts weg van de uitschuifarm en trekt u deze vervolgens in omgekeerde richting naar buiten

WAARSCHUWING:

- Gebruik altijd stofafzuiging om het risico op lichamelijk letsel te verminderen.
- Zorg voor voldoende stofafzuiging bij het zagen van metselwerkmaterialen.
- De stofzuiger moet goedgekeurd zijn voor het stofzuigen van metselwerkstof
- Draag een stofmasker.
- De machine mag alleen worden gebruikt voor droog snijden/slijpen.

 **WAARSCHUWING: DRAAG ALTIJD CORRECTE VEILIGHEIDSKLEDING, INCLUSIEF GEHOOR-, OOG- EN ADEMHALINGSBESCHERMING.**

NIET gebruiken onder natte omstandigheden of in de nabijheid van ontvlambare vloeistoffen en gassen.

ATTENTIE: Gebruik de juiste persoonlijke beschermingsmiddelen bij het werken aan materialen die zijn behandeld met giftige stoffen of die stoffen bevatten en volg de veiligheidsvoorschriften van de lokale overheid.

BEDIENING

Gebruik altijd twee handen om de Mini Grinder Trade te bedienen, waarbij u de linkerhand op de extra handgreep plaatst en de rechterhand op de behuizing van het gereedschap (Fig. J).

Zorg ervoor dat de machine draait **VOORDAT** u het materiaal aanraakt, waaraan moet worden gewerkt. Om te schuren, slijpen of om hout te snijden, houdt u de Mini Grinder Trade vast zoals getoond in Fig. K

SNIJGREEP

Gebruik de Mini-industriële schijf om hout en kunststoffen te zagen/snijden of te verwijderen.

Gebruik de Mini-schuurblokken voor het reinigen en schuren van hout, kunststof, metaal, verf en nog veel meer.

Gebruik het diamantmes voor het zagen en verzinken van alle soorten materiaal op metselwerk.

Gebruik de slijpschijf om metaal te malen.

IN GEBRUIK NEMEN

Let op de juiste netspanning! De spanning van de stroombron moet overeenkomen met de spanning die staat vermeld op het typeplaatje van de machine. Elektrisch gereedschap gemarkeerd met 230-240V kan ook worden gebruikt met 220 V.

SNIJHOEK & SNIJRICHTING

25-30° is een comfortabele werkhoeck.

Gebruik de onderkant van het mes (zoals afgebeeld in Fig. L/M) en niet zoals in Fig. N.

IN- EN UITSCHAKELLEN

Om het elektrische gereedschap te starten, duwt u de aan/uit-schakelaar 3 naar voren.

Om de aan/uit-schakelaar 3 te vergrendelen, drukt u aan de voorzijde op de aan/uit-schakelaar 3, totdat deze vastklikt.

Om het elektrische gereedschap uit te schakelen, laat u de aan/uit-schakelaar 3 los of, als deze is vergrendeld, drukt u kort op de achterkant van de aan/uit-schakelaar 3 en laat u hem vervolgens los.

- Controleer slijpgereedschappen vóór gebruik. Het slijpwerktuig moet correct worden bevestigd en vrij kunnen bewegen.

Test de slijper vóór gebruik zonder belasting. Gebruik geen beschadigde, niet-gecentreerde of trillende gereedschappen.

ATTENTIE:

Herstartbeveiliging - De herstartbeveiligingsfunctie voorkomt ongecontroleerd opnieuw opstarten van de machine na een onderbreking van de stroomtoevoer. Om het gereedschap opnieuw te starten, zet u de aan / uit-schakelaar 3 in de uitstand en start u de machine opnieuw.

WAARSCHUWING:

- **Lees altijd de veiligheidsinstructies en toepasselijke voorschriften**
- **Ondersteun en beveilig het werkstuk om beweging en verlies van controle te voorkomen.**
- **Oefen geen druk uit of belast de machine niet zo zwaar dat deze tot stilstand komt.**
- **Na een zware belasting van het elektrisch gereedschap moet u het een aantal minuten onbelast laten draaien om het toebehoren te laten afkoelen.**
- **Raak de schijven niet aan voordat ze zijn afgekoeld. De schijven kunnen tijdens het werk heet worden.**

¹ Inbegrepen bij Mini Carver

² Inbegrepen bij Mini Grinder Trade

ONDERHOUD



WAARSCHUWING: ONTKOPPEL HET GEREEDSCHAP VAN DE VOEING VÓór ELKE AANPASSING, REINIGING OF WERKZAAMHEDEN AAN DE MACHINE ZELF.

REINIGING VAN DE ROOSTERS EN DE SCHAKELAAR

Controleer regelmatig of er stof of vuil in de roosters aan de voor- en achterkant van de motor is gekomen (fig. O en P) of onder de AAN/ UIT-schakelaar (fig. A).

Gebruik dan een zachte borstel om alle opgehoopte stof te verwijderen om de roosters schoon te maken en om te schakelen.

DE RIEM OPSPANNEN OF VERVANGEN

Trek de stekker van de Mini Carver/Mini Grinder Trade los.

Verwijder het mes en de beschermkap (14) en til vervolgens de achterkant van de beschermkap op, schuif de kap terug en til hem eraf (Fig.Q). Draai de 4 schroeven (10) los (fig. R), totdat de lagerkap (9) en het asvergrendelingsdeksel (26) in de arm kunnen draaien.

Draai de onderdelen 9 en 26 samen tegen de klok in (afb. R) totdat de schroeven zijn uitgelijnd met het volgende gat in de arm (afb. S). Hierdoor zal de kleine poelie bewegen en ontstaat er spanning in de riem. Zorg ervoor dat de riem correct over de poelies is geplaatst, zoals weergegeven in (Fig. T) en dat de kleine poelie volledig op de as is gestoken.

Wanneer het spannen is voltooid, draait u de schroeven weer vast. Bevestig vervolgens de beschermkap op de arm en installeer het mes.

OVERSPAN DE RIEM NIET

Opmerking: maak de omgeving schoon met een zachte doek of een kleine borstel.

GEREEDSCHAP	SPANNINGSINSTELLING	TOEPASSING
Mini Pro schijf ¹	5-6	Houtsnijwerk
Diamantslijpschijf ¹	5-6	Slijpen van metaalmateriaal
Schuurschijf ²	5-6	Slijpen van metaal
Schuurblok	1-3	Schuren van hout, metaal en andere materialen. Gebruik een lagere snelheid voor schuurpapier met een hoger schuurvermogen

**Accessoires en
reserveonderdelen vindt u op
www.arbortechtools.com**

DUTCH

*De fabrikant behoudt zich het recht voor specificaties zonder kennisgeving te wijzigen.

****Opmerking:** Specificaties kunnen van land tot land verschillen.

OPMERKING: De motor kan verschillen van die op de doos, afhankelijk van de specificaties die voor uw land zijn vereist.

ARBORTECH™

**ARBORTECH PTY LTD 67 WESTCHESTER ROAD
MALAGA 6090**

PERTH WESTERN AUSTRALIA
Tel: 08 9249 1944 Fax: 08 9249 2936

U.S.A. -Tollfree: 866-517-7869
U.S.A Office: 978-466-7945 U.S.A Fax: 866-515-8104
EUROPE: Tel: +49 2724-288301
Fax: +49 2724-205515

**www.arbortechtools.com
Facebook: @arbortechtools
Email: arbortech@arbortech.com.au**



CONSIGNES DE SÉCURITÉ GÉNÉRALES PROPRES AUX OUTILS ÉLECTRIQUES



AVERTISSEMENT : VEUILLEZ CONSULTER TOUTES LES ILLUSTRATIONS ET LIRE TOUTES LES INSTRUCTIONS, TOUTES LES SPÉCIFICATIONS ET TOUS LES AVERTISSEMENTS DE SÉCURITÉ FOURNIS AVEC CET OUTIL ÉLECTRIQUE.

Tout manquement aux directives et consignes ci-incluses comporte des risques de décharges électriques, d'incendie et/ou de dommages corporels graves.

CONSERVER TOUTES CES DIRECTIVES ET CONSIGNES À TITRE DE RÉFÉRENCE

Le terme « outil électrique » mentionné dans les avertissements ci-après se rapporte aux outils alimentés sur secteur (avec fil) ou par piles (sans fil).

1) SÉCURITÉ – AIRE DE TRAVAIL

- Maintenir l'aire de travail propre et bien éclairée. Les lieux sombres ou encombrés sont propices aux accidents.**
- Ne pas utiliser un outil électrique dans un milieu déflagrant, comme en présence de liquides, gaz ou poussières inflammables.** Les outils électriques peuvent produire des étincelles qui pourraient enflammer toute émanation ou poussière ambiante.
- Maintenir à l'écart les enfants, ou toute autre personne, lors de l'utilisation d'un outil électrique.** Toute distraction pourrait faire perdre la maîtrise de l'appareil.

2) SÉCURITÉ – ÉLECTRICITÉ

- La fiche électrique de l'outil doit correspondre à la prise murale. Ne modifier la fiche en aucune façon. Ne pas utiliser de fiche d'adaptation avec un outil électrique mis à la terre (masse).** L'utilisation de fiches d'origine et de prises appropriées réduira tout risque de décharges électriques
- Éviter tout contact corporel avec des éléments mis à la terre comme : tuyaux, radiateurs, cuisinières ou réfrigérateurs.** Les risques de décharges électriques augmentent lorsque le corps est mis à la terre.

- Ne pas exposer les outils électriques à la pluie ou à l'humidité.** Tout contact d'un outil électrique avec un liquide augmente les risques de décharges électriques.
- Ne pas utiliser le cordon de façon abusive. Ne jamais utiliser le cordon pour transporter, tirer ou débrancher un outil électrique. Protéger le cordon de toute source de chaleur, de l'huile, et de tout bord tranchant ou pièce mobile.** Les cordons endommagés ou emmêlés augmentent les risques de décharges électriques
- En cas d'utilisation d'un outil électrique à l'extérieur, utiliser systématiquement une rallonge conçue à cet effet.** Cela diminuera tout risque de décharges électriques.
- Si on ne peut éviter d'utiliser un outil électrique en milieu humide, utiliser un circuit protégé par un dispositif de courant résiduel (RCD).** Cela réduira tout risque de décharges électriques.

3) SÉCURITÉ INDIVIDUELLE

- Rester systématiquement vigilant et faire preuve de jugement lorsqu'on utilise un outil électrique. Ne pas utiliser d'outil électrique en cas de fatigue ou sous l'influence de drogues, d'alcool ou de médicaments.** Tout moment d'inattention pendant l'utilisation d'un outil électrique comporte des risques de dommages corporels graves.
- Porter un équipement de protection individuel. Porter systématiquement un dispositif de protection oculaire.** Le fait de porter un masque anti-poussières, des chaussures antidérapantes, un casque de sécurité ou un dispositif de protection auditive, lorsque la situation le requiert, réduira les risques de dommages corporels.
- Prévenir tout démarrage accidentel. S'assurer que l'interrupteur est en position d'arrêt avant de brancher l'outil sur le secteur et/ou à la batterie, ou de le ramasser ou le transporter.** Transporter un outil le doigt sur l'interrupteur ou brancher un outil électrique alors que l'interrupteur est en position de marche invite les accidents.
- Retirer toute clé de réglage avant de démarrer l'outil.** Une clé laissée sur une pièce rotative d'un outil électrique comporte des risques de dommages corporels.
- Adopter une position stable. Maintenir les pieds bien ancrés au sol et conserver son équilibre en permanence.** Cela permettra de mieux maîtriser l'outil électrique en cas de situations imprévues.
- Porter des vêtements appropriés. Ne porter aucun vêtement ample ou bijou. Maintenir cheveux, vêtements et gants à l'écart des pièces mobiles,** car ils pourraient s'y faire prendre.

- g. **Lorsqu'un dispositif de connexion à un système de dépoussiérage ou d'élimination est fourni, s'assurer qu'il est branché et utilisé correctement.** L'utilisation de ces dispositifs peut réduire les risques engendrés par les poussières.
- h. **Ne laissez pas la familiarité acquise avec l'utilisation des outils vous pousser à sous-estimer leur sécurité.** Une action négligente peut causer des blessures graves en une fraction de seconde.

4) UTILISATION ET ENTRETIEN DES OUTILS ÉLECTRIQUES

- a. **Ne pas forcer un outil électrique. Utiliser l'outil approprié au travail en cours. L'outil approprié effectuera un meilleur travail, de façon plus sûre et à la vitesse pour laquelle il a été conçu.**
- b. **Ne pas utiliser un outil électrique dont l'interrupteur est défectueux.** Tout appareil dont l'interrupteur est défectueux est dangereux et doit être réparé.
- c. **Débrancher la fiche du secteur et/ou la batterie de l'outil électrique avant d'effectuer tout réglage, de changer tout accessoire, ou avant de le ranger.** Ces mesures préventives réduiront tout risque de démarrage accidentel de l'appareil.
- d. **Après utilisation, ranger les outils électriques hors de portée des enfants et ne permettre à aucune personne non familière avec son fonctionnement (ou sa notice d'instructions) de l'utiliser.** Les outils peuvent être dangereux entre des mains inexpérimentées.
- e. **Entretenir les outils électriques. Vérifier les pièces mobiles pour s'assurer qu'elles sont bien alignées et tournent librement, qu'elles sont en bon état et ne sont affectées d'aucune condition susceptible de nuire au bon fonctionnement de l'outil. En cas de dommage, faire réparer l'outil électrique avant toute nouvelle utilisation.** De nombreux accidents sont causés par des outils mal entretenus
- f. Maintenir tout organe de coupe propre et bien affûté. Les outils de coupe bien entretenus et affûtés sont moins susceptibles de se coincer et sont plus faciles à contrôler
- g. **Utiliser un outil électrique, ses accessoires, mèches, etc., conformément aux présentes directives et suivant la manière prévue pour ce type particulier d'outil électrique, en tenant compte des conditions de travail et de la tâche à effectuer.** L'utilisation d'un outil électrique à des fins autres que celles prévues est potentiellement dangereuse.
- h. **Gardez les poignées et les surfaces de préhension sèches, propres et exemptes d'huile et de graisse.** Les poignées glissantes et les

surfaces de préhension ne permettent pas une manipulation et un contrôle sûrs de l'outil dans des situations imprévues.

5) RÉPARATION

- a. **Faire entretenir les outils électriques par un réparateur qualifié en n'utilisant que des pièces de rechange identiques.** Cela permettra de préserver l'intégrité de l'outil électrique et la sécurité de l'utilisateur.



MINI CARVER/MINI GRINDER TRADE RÈGLES PARTICULIÈRES DE SÉCURITÉ ADDITIONNELLES

AVERTISSEMENTS DE SÉCURITÉ USUELS POUR LES OPÉRATIONS DE MEULAGE, DE SABLAGE ET DE SCULPTURE SUR BOIS:

- a. **Cet outil électrique est destiné à être utilisé comme outil de meulage, de sablage ou de sculpture sur bois. Veuillez consulter toutes les illustrations et lire toutes les instructions, toutes les spécifications et tous les avertissements de sécurité fournis avec cet outil électrique.** Ne pas respecter l'ensemble des instructions mentionnées ci-dessous pourrait entraîner une décharge électrique, un incendie et/ou de graves blessures.
- b. **Les opérations telles que le polissage ne sont pas recommandées avec cet outil électrique.** Toute opération pour laquelle l'outil n'a pas été conçu comporte des risques de dommages matériels et corporels
- c. **Ne pas utiliser des accessoires qui n'ont pas été spécifiquement conçus et recommandés par le fabricant de l'outil.** Le fait que l'accessoire peut être rattaché à l'outil électrique ne veut pas automatiquement dire que son utilisation ne posera aucun risque.
- d. **La vitesse nominale des accessoires doit être équivalente ou supérieure à celle recommandée sur l'étiquette d'avertissement de l'outil.** Les accessoires utilisés à une vitesse plus rapide que leur vitesse nominale peuvent éclater ou se détacher de l'outil.
- e. **Le diamètre externe et l'épaisseur de l'accessoire utilisé doivent se conformer aux spécifications de la plaque signalétique de l'outil électrique.** Les accessoires aux spécifications incorrectes ne peuvent être ni maintenus ni contrôlés de façon adéquate.

- f. **Le filetage de montage des accessoires doit correspondre à celui de l'axe de la meuleuse. Pour les accessoires montés avec des brides, l'alésage de l'accessoire doit correspondre au diamètre de positionnement de la bride.** Les accessoires qui ne correspondent pas au dispositif de montage de l'outil électrique ne tournent pas correctement, vibrent de façon excessive et peuvent provoquer la perte de contrôle de l'outil.
- g. **Ne pas utiliser d'accessoires endommagés. Avant toute utilisation, vérifier tous les accessoires, par exemple que les meules abrasives ne sont ni ébréchées ni fendues, les tampons de soutien ne sont ni fendus ni usés excessivement, les brosses métalliques ne comportent aucun élément brisé ou lâche. En cas de chute, vérifier que l'outil n'a pas été endommagé et remplacer tout accessoire abîmé. Après avoir inspecté et installé un accessoire, se situer, soi-même et tout individu présent, hors du plan de rotation de l'accessoire et laisser tourner l'outil une minute à sa vitesse à vide maximale.** En général, tout accessoire endommagé se brisera lors du temps d'essai.
- h. **Porter un équipement de protection individuel. Selon l'application, utiliser une protection faciale et des lunettes ou un masque de protection. Si approprié, porter un masque anti-poussières, une protection auditive, des gants et un tablier d'atelier capables de vous protéger contre toute projection abrasive ou tout fragment.** La protection oculaire doit être capable d'arrêter toute projection de débris engendrés par des opérations diverses. Le masque anti-poussières doit être capable de filtrer les particules engendrées par l'opération en cours. Toute exposition prolongée à un haut niveau de décibels peut occasionner une perte de l'acuité auditive
- i. **Maintenir à distance toute personne étrangère au travail en cours. Toute personne à l'intérieure de l'aire de travail doit porter un équipement de protection individuel.** Des débris provenant de la pièce à travailler ou d'un accessoire brisé pourraient être éjectés et causer des dommages corporels au-delà de l'aire de travail immédiate.
- j. **Ne tenez l'outil que par ses surfaces de préhension isolées lorsque vous réalisez une opération pendant laquelle l'accessoire de coupe peut entrer en contact avec des câbles cachés ou son propre cordon électrique.** Tout contact de l'accessoire de coupe avec un fil sous tension peut mettre les parties métalliques exposées de l'outil sous tension et provoquer un choc électrique à l'utilisateur.
- k. **Maintenir le cordon électrique éloigné de la partie rotative de l'outil.** En cas de perte de contrôle, le cordon pourrait être sectionné ou abîmé, et les bras ou mains pourraient entrer en contact avec l'organe rotatif
- l. **Attendre systématiquement l'arrêt complet de l'outil avant de le déposer.** L'organe rotatif pourrait s'accrocher à la surface utilisée et rendre l'outil dangereusement imprévisible.
- m. **Ne pas laisser l'outil électrique en marche alors qu'il est accroché à votre côté.** Tout contact accidentel de l'organe rotatif pourrait faire que ce dernier s'accroche aux vêtements et qu'un accessoire entre en contact avec le corps.
- n. **Nettoyer régulièrement les orifices d'aération de l'outil.** Le ventilateur du moteur attirera de la poussière à l'intérieur du boîtier et une accumulation excessive de poussières métalliques pourrait poser des risques d'électrocution/incendie.
- o. **Ne pas utiliser cet outil électrique à proximité de matériaux inflammables,** car des étincelles pourraient les enflammer
- p. **Ne pas utiliser d'accessoires nécessitant l'utilisation d'un réfrigérant fluide.** L'utilisation d'eau ou de tout autre réfrigérant fluide pourrait poser des risques d'électrocution ou de décharges électriques.

MISES EN GARDE CONCERNANT LES CHOCS EN RETOUR

Les rebonds sont la conséquence du grippage ou coinçage d'une meule, d'un tampon de soutien, d'une brosse en rotation ou de tout autre accessoire. Tout grippage ou coinçage causera rapidement le blocage de l'accessoire en rotation, ce qui lancera l'outil non contrôlé dans la direction opposée à l'accessoire en rotation au point du grippage. Par exemple, si une meule abrasive reste accrochée ou pincée dans une pièce à travailler, le bord de la meule engagée au point de grippage peut s'enfoncer dans la surface du matériau et faire tressauter ou rebondir la meule. La meule peut alors rebondir vers ou à l'opposé de l'utilisateur, selon la direction du mouvement de la meule au point de grippage. Dans ces conditions, il peut aussi arriver que les meules abrasives se brisent. Les rebonds proviennent d'une utilisation impropre de l'outil ou de conditions ou procédures d'exécution incorrectes, et peuvent être évités en prenant les précautions adéquates énoncées ci-dessous :

- a. Maintenir la scie fermement en positionnant le corps et les bras de façon à pouvoir résister à toute force de rebonds. Utiliser systématiquement la poignée latérale, si fournie avec l'outil, pour un contrôle maximal de l'outil en cas de rebonds ou retour de couple au démarrage. L'utilisateur peut contrôler le retour de couple ou les forces de rebonds si des précautions adéquates sont prises
- b. **Ne jamais approcher les mains de l'organe rotatif.** L'accessoire pourrait rebondir sur les mains
- c. **Ne pas positionner le corps dans l'espace que pourrait occuper l'outil en cas de rebonds.** Les rebonds projeteront l'outil dans la direction opposée au mouvement de la meule au point de grippage.

- d. **Prendre des précautions supplémentaires pour travailler des coins, des bords acérés, etc. Éviter que l'accessoire sursaute ou reste accroché.** Les coins, bords acérés ou les sursauts ont tendance à retenir l'accessoire en rotation et causer la perte de contrôle de l'outil, ou des rebonds.
- e. **Ne pas rattacher une lame à chaîne coupante, à sculpter ou une lame dentée.** Ces lames posent des risques de rebonds fréquents et de perte de contrôle de l'outil
- f. **N'attachez pas de meule de tronçonnage abrasive renforcée.** De tels outils peuvent se détacher et entraîner des blessures.

CONSIGNES SPÉCIFIQUES DE SÉCURITÉ PROPRES AU POLISSAGE ET AU TRONÇONNAGE ABRASIF

- a. **Utiliser uniquement des types de meules recommandés pour votre outil électrique ainsi que le carter spécifiquement conçu pour la meule choisie.** Les meules non conçues pour un outil électrique ne peuvent être adéquatement protégées et sont dangereuses.
- b. **La surface de meulage des disques à moyeu déporté doit être montée sous le plat de la lèvre du carter.** Un disque mal monté qui dépasse du bord du carter de protection ne peut pas être correctement protégé.
- c. **Le carter doit être soigneusement fixé à l'outil électrique et placé de façon à optimiser la sécurité, afin que l'utilisateur soit le moins possible exposé au disque.** Le carter doit protéger l'utilisateur contre des fragments de disques cassés, le contact accidentel avec ces derniers et des étincelles qui pourraient enflammer les vêtements.
- d. **Les meules ne doivent être utilisées que pour les applications recommandées. Par exemple : ne pas meuler avec la partie latérale d'une meule à tronçonner.** Les meules à tronçonner ont été conçues pour le meulage périphérique, toute force latérale appliquée sur ces meules pourrait les faire éclater.
- e. **Utiliser systématiquement des brides de meules en parfait état, de taille et forme adaptées à la meule choisie.** Les brides de meules servent de support aux meules, réduisant ainsi les possibilités que la meule se brise. Les brides de meules à tronçonner peuvent différer des brides de disques à meuler.
- f. **Ne pas utiliser de meules émoussées lors de leur utilisation sur des outils électriques plus gros.** Les meules conçues pour des outils électriques plus gros ne sont pas adéquates pour les vitesses plus rapides des outils plus petits, et risqueraient d'éclater.

CONSIGNES SPÉCIFIQUES DE SÉCURITÉ PROPRES AU PONÇAGE

- a. **Ne pas utiliser des disques de papier abrasif de taille excessive. Suivre les recommandations du fabricant lors de la sélection du papier à poncer.** Les feuilles de papier abrasif de grande taille, dépassant du tampon ponceur, posent des risques de lacération, et peuvent faire que le disque s'accroche ou se déchire, ou causer des rebonds.
- b. **Ajustez la vitesse du comme recommandé pour les applications de sablage.** Un sablage à haute vitesse entraîne des risques de lacération et de brûlure.

AVERTISSEMENTS DE SÉCURITÉ SUPPLÉMENTAIRES



Portez une protection auditive, une protection oculaire, un masque anti-poussière et des gants de protection.

- a. **Utilisez des détecteurs appropriés afin de déterminer si des lignes de gaz, d'eau ou autres sont cachés dans la zone de travail, ou appelez le fournisseur local concerné pour obtenir de l'aide.** Entrer en contact avec des lignes électriques peut entraîner un incendie ou une décharge électrique. Endommager une ligne de gaz peut provoquer une explosion. Pénétrer une ligne d'eau peut entraîner des dommages matériels ou une décharge électrique.
- b. Relâchez l'interrupteur ON/OFF et mettez-le en position OFF si l'alimentation électrique est interrompue, par exemple en cas de coupure d'électricité ou lorsque la prise secteur est débranchée.
- c. Ne touchez pas les disques de meulage et de coupe avant qu'ils aient refroidi. Les disques peuvent devenir très chauds lorsqu'ils fonctionnent.
- d. Sécurisez la pièce de travail. Une pièce de travail fixée avec des dispositifs de serrage sera maintenue de façon plus sécuritaire que si vous la maintenez en place à la main.

CONNAÎTRE VOTRE OUTIL

DESCRIPTION ET SPÉCIFICATIONS DU PRODUIT



Veillez lire tous les avertissements de sécurité et toutes les instructions. Ne pas respecter l'ensemble des avertissements et instructions pourrait entraîner une décharge électrique, un incendie et/ou de graves blessures.

CE - Déclaration de conformité :

Arbortech déclare que le produit MIN.FG.900.60 et MIN.FG.910.60 décrit dans le présent manuel, sous « Spécifications techniques », est fabriqué conformément aux normes EN 60745, EMC 2014/30/ EU and RoHS 2011/65/EU directives.

La fiche technique conforme à la Directive 2006/42/CE relative aux machines se trouve à : Arbortech PTY LTD | 67 Westchester Road, Malaga, WA 6090

Sven Blicks
General Manager

UTILISATION CONFORME

Le Mini Carver/Mini Grinder Trade est destiné à être utilisé pour meuler, sculpter et sabler le métal, la pierre et le bois sans eau.

Veillez noter : le texte, les données et les schémas sont corrects au moment de l'impression. Dans l'intérêt de l'amélioration constante de nos produits, les spécifications techniques peuvent faire l'objet de modifications sans notification préalable.

Si vous travaillez avec des applications ou matériaux qui génèrent de la poussière, utilisez des accessoires d'aspiration de la poussière.

Alimentation	230	V
Puissance nominale	1000	W
La fréquence	50	Hz
Classe de protection	II	II
Vitesse nominale	6000-19500	Rpm
Diamètre de l'outil	54	mm
Taille de l'alésage	9.5	mm
Taille de la vis de montage	M5	mm
Poids	2.35	kg
Émission de vibrations (k=1.5)	7.31	m/sec ²
Émissions sonores (k=3.0)	96	dB(A)

AVERTISSEMENT: le niveau d'émission de vibrations mentionné est celui des applications principales de l'outil. Cependant, si vous utilisez l'outil pour d'autres applications, avec des accessoires différents ou avec des outils d'insertion, ou si le Mini Carver/Mini Grinder Trade est mal entretenu, le niveau d'émission

de vibrations pourrait différer. Ceci pourrait augmenter de façon significative le niveau d'exposition pendant la totalité de la période de travail.

Une estimation du niveau d'exposition aux vibrations doit également prendre en considération les périodes pendant lesquelles l'outil est éteint, ou pendant lesquelles il est en marche, mais n'est pas réellement utilisé. Ceci pourrait diminuer de façon significative le niveau d'exposition pendant la totalité de la période de travail. Identifiez des mesures de sécurité supplémentaires pour protéger l'opérateur des effets des vibrations.

DÉBALLAGE ET MONTAGE

Inspectez le matériel afin de vous assurer que l'outil et ses accessoires n'ont pas été endommagés pendant le transport. Veuillez immédiatement notifier le revendeur de tout dommage.

Ôtez la poignée auxiliaire de la boîte et attachez-la à l'outil. (Fig. A)

Assurez-vous que la vis de fixation (18) est toujours bien serrée avant l'utilisation.

CARACTÉRISTIQUES DU PRODUIT ET LISTE DES COMPOSANTS

ITEM	Caractéristiques et composants
1	Corps du Mini Carver/Mini Grinder Trade
2	Poignée auxiliaire
3	Bouton ON/OFF
4	Contrôle de la vitesse
5	Bouton - Drive Lock -
6	Bras d'extension
7	Mini arbre
8	Paliers
9	Chapeau de palier
10	Vis cylindrique 4g
11	Petite poulie
12	Grande poulie
13	Courroie
14	Capot de protection
15	Vis cylindrique 6g
16	Lame Mini Pro ¹
17	Rondelle de serrage
18	Vis de fixation M5
19	Capot d'aspiration de la poussière
20	Patin de sablage
21	Papier de sablage
22	Douille de serrage
23	Vis à tête fraisée
24	Disque de coupe diamant ²
25	Roue de meulage ²
26	Verrou de broche - couvercle
27	Ressort à lames
28	Barre de verrouillage
29	Bouton de verrouillage


¹ Inclus avec Mini Carver

² Inclus avec Mini Grinder Trade

CARACTÉRISTIQUES DU PRODUIT ET LISTE DES COMPOSANTS

Fig. A, Fig. B, Fig. C


OUTILS ET ACCESSOIRES DE MONTAGE

 **AVERTISSEMENT :** pour réduire le risque de blessures corporelles graves, éteignez l'outil et débranchez-le de la source de courant avant de faire toute modification ou avant de retirer/d'installer des outils ou accessoires.

1. REMPLACEMENT DES DISQUES DE SCULPTURE ET DE MEULAGE

Insérez un tournevis plat dans le mini arbre (7) pour empêcher toute rotation, puis retirez la vis de fixation (18) à l'aide de la clé Allen fournie avec l'outil (fig. D). Remplacez la lame par une autre recommandée par Arbortech, comme montré sur les schémas suivants.

Placez le nouveau disque sur la petite poulie en vous assurant qu'il est bien centré et mis à plat contre la poulie. Placez la rondelle de serrage (17) sur le disque, puis insérez et serrez la vis de fixation (18) comme indiqué sur la fig. E. Assurez que les marquages sur le disque sont visibles et que la flèche de rotation pointe dans la même direction que la flèche à l'arrière de la protection.

 **AVERTISSEMENT :** ne pas monter les disques correctement sur la poulie pourrait entraîner de graves blessures ou endommager l'outil.

2. MONTAGE DU PATIN DE SABLAGE

Suivez les étapes décrites ci-dessus pour retirer le disque (étape 1).

Commencez par positionner le papier de sablage (21) sur le patin de sablage (20), puis insérez la vis à tête fraisée (23) dans la douille de serrage (22), et insérez-les ensemble dans le trou au centre du patin de sablage. Ensuite, insérez le patin de sablage sur la petite poulie (11) (fig. F) et serrez la vis sur le mini arbre.

3. MONTAGE DU DISPOSITIF D'ASPIRATION DE LA POUSSIÈRE


Pour installer le dispositif d'aspiration de la poussière, commencez par insérer les ergots avant du capot d'aspiration de la poussière (19) sous les découpes du capot de protection, puis poussez l'extrémité arrière vers le bas pour encliqueter les loquets sur les ergots latéraux du bras d'extension, comme montré sur la fig. G. Insérez le tuyau d'aspirateur dans le trou d'aspiration de la poussière (fig. H). Le dispositif

d'aspiration de la poussière est adapté à un tuyau de Ø 35 mm.

Pour retirer le capot d'aspiration de la poussière, tirez le loquet d'aspiration de la poussière latéralement hors du bras d'extension, puis tirez dans la direction opposée.

AVERTISSEMENT :

- Pour réduire le risque de dommages corporels, utilisez toujours un dispositif d'aspiration de la poussière.
- Faites en sorte que l'aspiration de la poussière soit suffisante lorsque vous découpez des matériaux de maçonnerie.
- L'aspirateur doit être homologué pour aspirer la poussière de maçonnerie.
- Portez un masque anti-poussière.
- Utilisez la machine exclusivement pour découper/meuler sans eau.

 **AVERTISSEMENT : PORTEZ TOUJOURS DES VÊTEMENTS DE SÉCURITÉ APPROPRIÉS, Y COMPRIS DES PROTECTIONS AUDITIVES, OCULAIRES ET RESPIRATOIRES.**

N'UTILISEZ PAS la machine dans des conditions humides ou en présence de liquides et de gaz inflammables.

ATTENTION : utilisez un équipement de protection individuelle adéquat lorsque vous travaillez sur des matériaux traités avec des substances toxiques ou en contenant, et respectez les dispositions de sécurité officielles locales.

UTILISATION

Utilisez toujours le Mini Carver/Mini Grinder Trade à deux mains, en plaçant la main gauche sur la poignée auxiliaire et la main droite sur le corps de l'outil (fig. J). Veillez à mettre la machine en marche AVANT de la mettre en contact avec le matériau sur lequel vous allez travailler. Pour sabler, meuler ou sculpter du bois, tenez le Mini Carver/Mini Grinder Trade comme montré sur la fig. K.

ADHÉRENCE DE COUPE

Utilisez la lame Mini Industrial pour couper ou retirer du bois ou du plastique.

Utilisez les patins de sablage Mini pour nettoyer et sabler du bois, du plastique, du métal, de la peinture et bien d'autres matériaux.

Utilisez la lame diamant pour couper et creuser tout matériau de maçonnerie.

Utilisez le disque de meulage pour moudre le métal.

DÉBUT DE L'UTILISATION

Respectez le voltage du secteur ! Le voltage de la source de courant doit correspondre au voltage mentionné sur la plaque signalétique de la machine. Les outils électriques portant le marquage 230-240 V peuvent aussi être utilisés à du 220 V.

INDICATION DE L'ANGLE ET DE LA DIRECTION DE COUPE

25-30° est un angle de travail confortable.

Utilisez le bord inférieur de la lame (comme indiqué sur les fig. L/M) et pas comme sur la fig. N.

MISE SOUS TENSION ET HORS TENSION

Pour démarrer l'outil électrique, poussez le bouton ON/OFF 3 vers l'avant.

Pour verrouiller le bouton ON/OFF 3, poussez l'avant du bouton 3 vers le bas jusqu'à ce qu'il s'encliquette.

Pour éteindre l'outil électrique, relâchez le bouton ON/OFF 3, ou, s'il est verrouillé, poussez brièvement l'arrière du bouton ON/OFF 3, puis débloquez-le.

- Vérifiez les outils de meulage avant de les utiliser. L'outil de meulage doit être monté correctement et doit pouvoir bouger librement.

Avant d'utiliser la meuleuse, testez-la sans y appliquer de charge. N'utilisez pas les outils s'ils sont endommagés, décentrés ou s'ils vibrent.



ATTENTION:

Protection anti redémarrage : la protection anti-redémarrage empêche un redémarrage non voulu de la machine après une interruption de l'alimentation électrique. Pour recommencer à utiliser l'outil, mettez le bouton ON/OFF 3 en position OFF et redémarrez la machine.



AVERTISSEMENT:

- **Lisez toujours les instructions de sécurité et les réglementations applicables.**
- **Soutenez et sécurisez la pièce de travail afin de l'empêcher de bouger et d'éviter d'en perdre le contrôle.**
- **N'exercez pas de pression ou de tension sur la machine à un point tel que cela entraîne son arrêt.**
- **Après avoir exercé une forte tension sur l'outil électrique, continuez à l'utiliser sans aucune charge pendant quelques minutes afin de permettre à l'accessoire de refroidir.**

- **Ne touchez pas les disques de meulage et de coupe avant qu'ils aient refroidi. Les disques peuvent devenir très chauds lorsqu'ils fonctionnent.**

OUTIL	RÉGLAGE DE PUISSANCE	UTILISATION
Lame Mini Pro ¹	5-6	Sculpture sur bois
Disque diamant ²	5-6	Meulage de matériaux de maçonnerie
Disque de meulage ²	5-6	Meulage de métal
Patin de sablage	1-3	Sablage de bois, de métal et d'autres matériaux. Diminuez la vitesse de la machine si vous utilisez du papier de sablage au grain plus épais.

¹ Inclus avec Mini Carver

² Inclus avec Mini Grinder Trade

ENTRETIEN



AVERTISSEMENT : AVANT DE FAIRE TOUTE MODIFICATION, DE NETTOYER LA MACHINE OU DE L'UTILISER, DÉCONNECTEZ-LA DE LA SOURCE DE COURANT.

NETTOYAGE DES GRILLES ET DU BOUTON ON/OFF

Regardez régulièrement s'il y a de la poussière ou un corps étranger dans les grilles qui se trouvent à l'avant et à l'arrière du moteur (fig. O et P) et sous le bouton ON/OFF (fig. A).

Si c'est le cas, utilisez une brosse douce pour évacuer la poussière qui s'est accumulée, et ainsi, nettoyer les grilles et le bouton ON/OFF.

TENDRE OU REMPLACER LA COURROIE

Débranchez le Mini Carver/Mini Grinder Trade.

Retirez la lame et le couvercle de protection (14), puis soulevez l'arrière du couvercle de protection et faites glisser le couvercle vers l'arrière et soulevez-le (Fig.Q). Dévisser les 4 vis (10) (fig. R), jusqu'à ce que le chapeau de palier (9) et le couvercle de verrouillage de broche (26) puissent tourner à l'intérieur du bras.

Faites tourner les composants 9 et 26 ensemble dans le sens inverse des aiguilles d'une montre (Fig R) jusqu'à ce que les vis s'alignent avec la position du trou suivant dans le bras (Fig S). Cela fera bouger la petite poulie et créera une tension dans la courroie. Assurez-vous que la courroie est correctement positionnée sur les poulies comme indiqué sur (Fig. T) et que la petite poulie est complètement insérée sur la broche.

Une fois la tension terminée, serrez les vis. Fixez ensuite le couvercle de protection sur le bras et installez la lame.

NE TENDEZ PAS TROP LA COURROIE

Veillez noter : nettoyez la zone environnante à l'aide d'un chiffon doux ou d'une petite brosse.

**Pour obtenir des accessoires
& des pièces détachées,
consultez le site
www.arbortechtools.com**

FRENCH

*Le fabricant se réserve le droit de modifier les spécifications sans notification préalable.

****Veillez noter** : les spécifications peuvent différer selon les pays.

VEUILLEZ NOTER : il est possible que le moteur soit différent de celui représenté sur la boîte, en fonction des spécifications en vigueur dans votre pays.

ARBORTECH™

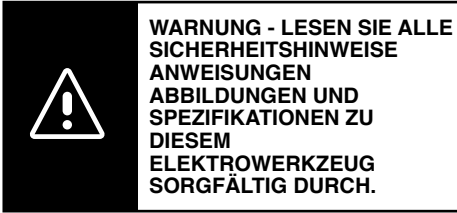
**ARBORTECH PTY LTD 67 WESTCHESTER ROAD
MALAGA 6090**

PERTH WESTERN AUSTRALIA
Tel: 08 9249 1944 Fax: 08 9249 2936

U.S.A. -Tollfree: 866-517-7869
U.S.A Office: 978-466-7945 U.S.A Fax: 866-515-8104
EUROPE: Tel: +49 2724-288301
Fax: +49 2724-205515

**www.arbortechtools.com
Facebook: @arbortechtools
Email: arbortech@arbortech.com.au**

ALLGEMEINE SICHERHEITSHINWEISE FÜR ELEKTROWERKZEUGE



Das Nichtbeachten von Warnhinweisen und Anweisungen kann zu elektrischem Schlag, Brand und/oder schweren Verletzungen führen.

BEWAHREN SIE ALLE WARNHINWEISE UND ANWEISUNGEN ZUM SPÄTEREN NACHSCHLAGEN AUF

Der Begriff „Elektrowerkzeug“ in den Warnhinweisen bezieht sich auf Ihr netzbetriebenes Elektrowerkzeug (mit Kabel) oder auf Ihr akkubetriebenes (kabelloses) Elektrowerkzeug.

1) Sicherheit im Arbeitsbereich

- a. **Halten Sie den Arbeitsbereich sauber und gut ausgeleuchtet.** Unaufgeräumte oder dunkle Bereiche begünstigen Unfälle.
- b. **Betreiben Sie das Elektrowerkzeug nicht in explosionsgefährdeten Umgebungen, in denen sich z. B. brennbare Flüssigkeiten, Gase oder Staub befinden. Elektrowerkzeuge erzeugen Funken, die den Staub oder die Dämpfe entzünden können.**
- c. **Halten Sie Kinder und Zuschauer fern, während Sie ein Elektrogerät betreiben.** Ablenkung kann dazu führen, dass Sie die Kontrolle über das Gerät verlieren.

2) Elektrische Sicherheit

- a. **Der Stecker des Elektrogerätes muss in die Steckdose passen. Ändern Sie niemals den Stecker in irgendeiner Form. Verwenden Sie keinerlei Adapterstecker an geerdeten Elektrogeräten.** Unveränderte Stecker und passende Steckdosen mindern die Gefahr eines elektrischen Schlages.
- b. **Vermeiden Sie Körperkontakt mit geerdeten Flächen, wie Rohre, Radiatoren, Herde und Kühlgeräte.** Es besteht eine erhöhte Gefahr für einen elektrischen Schlag, wenn Ihr Körper geerdet ist

- c. **Setzen Sie Elektrogeräte keinem Regen oder feuchter Umgebung aus.** Wenn Wasser in das Elektrogerät eindringt, erhöht sich die Gefahr eines elektrischen Schlages.
- d. **Überlasten Sie das Kabel nicht. Verwenden Sie niemals das Kabel, um das Elektrogerät zu tragen oder durch Ziehen vom Netz zu trennen. Halten Sie das Kabel fern von Hitze, Öl, scharfen Kanten oder beweglichen Teilen.** Beschädigte oder verhedderte Kabel erhöhen die Gefahr eines elektrischen Schlages.
- e. **Wenn Sie ein Elektrogerät im Freien betreiben, verwenden Sie ein für den Außeneinsatz geeignetes Verlängerungskabel.** Die Verwendung von für den Außeneinsatz geeigneten Kabeln mindert die Gefahr eines elektrischen Schlages.
- f. **Wenn der Betrieb eines Elektrogerätes in feuchter Umgebung unumgänglich ist, verwenden Sie eine durch einen Fehlerstromschutzschalter (FI-Schalter oder Rcd) geschützte Stromversorgung.** Der Einsatz eines Fehlerstromschutzschalters mindert die Gefahr eines elektrischen Schlages.

3) Sicherheit von Personen

- a. **Seien Sie aufmerksam, achten Sie darauf, was Sie tun, und gehen Sie mit Vernunft an die Arbeit mit einem Elektrowerkzeug. Benutzen Sie kein Elektrowerkzeug, wenn Sie müde sind oder unter dem Einfluss von Drogen, Alkohol oder Medikamenten stehen.** Ein Moment der Unachtsamkeit beim Betrieb eines Elektrogerätes kann zu schweren Verletzungen führen.
- b. **Tragen Sie persönliche Schutzausrüstung und immer eine Schutzbrille.** Das Tragen persönlicher Schutzausrüstung, wie Staubmaske, rutschfeste Sicherheitsschuhe, Schutzhelm oder Gehörschutz, je nach Art und Einsatz des Elektrowerkzeuges, verringert das Risiko von Verletzungen.
- c. **Vermeiden Sie unbeabsichtigtes Starten. Vergewissern Sie sich, dass der Schalter in der AUS-Position ist, bevor Sie das Gerät an die Stromversorgung und/oder an den Akku anschließen oder wenn Sie das Gerät aufnehmen oder tragen.** Wenn Sie beim Tragen des Elektrowerkzeuges den Finger am Schalter haben oder das Gerät eingeschaltet an die Stromversorgung anschließen, kann dies zu Unfällen führen.
- d. **Entfernen Sie alle Einstellschlüssel oder Werkzeuge, bevor Sie das Elektrogerät einschalten.** Werkzeuge oder Schlüssel, die an rotierenden Teilen des Elektrogerätes angebracht sind, können zu Verletzungen führen.

- e. **Vermeiden Sie eine abnormale Körperhaltung.** Sorgen Sie für einen sicheren Stand und halten Sie jederzeit das Gleichgewicht. Dadurch können Sie das Elektrowerkzeug in unerwarteten Situationen besser kontrollieren.
- f. **Tragen Sie geeignete Kleidung. Tragen Sie keine weite Kleidung und keinen Schmuck. Halten Sie Ihre Haare, Kleidung und Handschuhe von beweglichen Teilen fern.** Lose sitzende Kleidung, Schmuck oder lange Haare können sich in den beweglichen Teilen verfangen.
- g. **Wenn Geräte für den Anschluss an eine Staubabsaugung und Staubsammlung vorgesehen sind, vergewissern Sie sich, dass diese richtig angeschlossen sind und verwendet werden.** Der Einsatz von Staubsammlern kann staubbedingte Gefahren mindern.
- h. **Lassen Sie nicht durch Vertrautheit, gewonnen durch regelmäßigen Gebrauch von Werkzeugen, zu Nachlässigkeit verleiten.** Eine unvorsichtige Handlung kann innerhalb von Sekundenbruchteilen zu schweren Verletzungen führen.

4) VERWENDUNG UND PFLEGE DES ELEKTROGERÄTES

- a. **Überlasten Sie das Elektrogerät nicht. Verwenden Sie das für Ihre Arbeit passende Elektrogerät.** Das richtige Gerät wird die Aufgabe besser und sicherer erledigen, wenn es bestimmungsgemäß verwendet wird.
- b. **Benutzen Sie kein Elektrowerkzeug, dessen Schalter defekt ist.** Ein Elektrowerkzeug, das sich nicht mehr ein- oder ausschalten lässt, ist gefährlich und muss repariert werden.
- c. **Trennen Sie den Stecker vom Netz und/oder die Akkus vom Elektrogerät, bevor Sie Einstellungen am Gerät vornehmen, Zubehör wechseln oder es aufbewahren.** Diese Vorbeugemaßnahmen mindern die Gefahr, dass das Elektrogerät unbeabsichtigt startet.
- d. **Bewahren Sie nicht verwendete Elektrogeräte für Kinder unerreikbaar auf und lassen Sie nicht zu, dass Personen ohne Erfahrung mit dem Elektrogerät oder mit diesen Anweisungen das Elektrogerät bedienen.** Elektrogeräte sind in den Händen nicht geschulter Personen gefährlich.
- e. **Warten Sie die Elektrogeräte. Prüfen Sie, ob bewegliche Teile verzogen oder ausgeschlagen, ob Teile gebrochen oder in einem Zustand sind, der den Betrieb des Elektrogerätes beeinträchtigen kann. Bei Beschädigungen lassen Sie das Elektrogerät reparieren, bevor Sie es verwenden.** Viele Unfälle entstehen wegen mangelnder Wartung der Elektrogeräte.
- f. Halten Sie Schneidwerkzeuge scharf und sauber. Richtig gewartete Schneidwerkzeuge mit scharfen Klingen blockieren seltener und sind leichter unter Kontrolle zu halten.

- g. **Verwenden Sie Elektrogeräte, Zubehör und Einsätze (Bits) usw. gemäß diesen Anweisungen und unter Berücksichtigung der Arbeitsbedingungen und der Aufgabe.** Wenn Sie das Elektrogerät für Aufgaben verwenden, die nicht bestimmungsgemäß sind, kann dies zu gefährlichen Situationen führen.
- h. **Halten Sie Griffe und Griffflächen trocken, sauber und frei von Öl und Fett.** Rutschige Griffe und Greifflächen stellen in unerwarteten Situationen keine sichere Handhabung und Kontrolle des Werkzeugs sicher.

5) SERVICE

- a. **Lassen Sie Ihr Elektrowerkzeug nur von qualifiziertem Fachpersonal und nur mit Original-Ersatzteilen reparieren.** Damit wird sichergestellt, dass die Sicherheit des Gerätes erhalten bleibt.



MINI CARVER/MINI GRINDER TRADE ZUSÄTZLICHE SPEZIFISCHE SICHERHEITSVORSCHRIFTEN

ALLGEMEINE SICHERHEITSHINWEISE FÜR SCHLEIF- ODER HOLZSCHNITZARBEITEN:

- a. **Dieses Elektrowerkzeug ist für die Verwendung als Schleif- oder Holzschneidwerkzeug vorgesehen. Lesen Sie alle Sicherheitshinweise, Anweisungen, Abbildungen und Spezifikationen zu diesem Elektrowerkzeug sorgfältig durch.** Das Nichtbefolgen der nachfolgenden Anweisungen kann zu Stromschlägen, Bränden und/oder schweren Verletzungen führen.
- b. **Dieses Elektrowerkzeug ist nicht geeignet zum Polieren.** Verwendungen, für die das Elektrowerkzeug nicht vorgesehen ist, können Gefährdungen und Verletzungen verursachen.
- c. **Verwenden Sie kein Zubehör, das vom Hersteller nicht speziell für dieses Elektrowerkzeug vorgesehen und empfohlen wurde.** Nur weil Sie das Zubehör an Ihrem Elektrowerkzeug befestigen können, garantiert das keine sichere Verwendung.
- d. **Die zulässige Drehzahl des Einsatzwerkzeugs muss mindestens so hoch sein wie die auf dem Elektrowerkzeug angegebene Höchstdrehzahl.** Zubehör, das sich schneller als zulässig dreht, kann zerbrechen und umherfliegen.
- e. **Außendurchmesser und Dicke des Einsatzwerkzeugs müssen den Maßangaben Ihres Elektrowerkzeugs entsprechen.** Falsch bemessene Einsatzwerkzeuge können nicht ausreichend abgeschirmt oder kontrolliert werden.

- f. **Zubehör mit Gewindemontage muss mit dem Gewinde der Schleiferspindel übereinstimmen. Bei Zubehör mit Flanschbefestigung muss das Aufnahmeloch des Zubehörs mit dem Flanschdurchmesser übereinstimmen.** Zubehör, das nicht genau auf die Schleifspindel des Elektrowerkzeugs passt, dreht sich ungleichmäßig, vibriert sehr stark und kann zum Verlust der Kontrolle führen.
- g. **Verwenden Sie keine beschädigten Einsatzwerkzeuge. Kontrollieren Sie vor jeder Verwendung Einsatzwerkzeuge wie Schleifscheiben auf Absplitterungen und Risse, Schleifteller auf Risse, Verschleiß oder starke Abnutzung, Drahtbürsten auf lose oder gebrochene Drähte. Wenn das Elektrowerkzeug oder das Einsatzwerkzeug herunterfällt, überprüfen Sie, ob es beschädigt ist, oder verwenden Sie ein unbeschädigtes Einsatzwerkzeug. Wenn Sie das Einsatzwerkzeug kontrolliert und eingesetzt haben, halten Sie und in der Nähe befindliche Personen sich außerhalb der Ebene des rotierenden Einsatzwerkzeugs und lassen Sie das Gerät eine Minute lang mit Höchstdrehzahl laufen.** Beschädigte Einsatzwerkzeuge brechen meist in dieser Testzeit.
- h. **Tragen Sie persönliche Schutzausrüstung. Verwenden Sie je nach Anwendung Vollgesichtsschutz, Augenschutz oder Schutzbrille. Soweit angemessen, tragen Sie Staubmaske, Gehörschutz, Schutzhandschuhe oder Spezialschürze, die kleine Schlei- und Materialpartikel von Ihnen fernhält.** Die Augen sollen vor herumfliegenden Fremdkörpern geschützt werden, die bei verschiedenen Anwendungen entstehen. Staub- oder Atemschutzmaske müssen den bei der Anwendung entstehenden Staub filtern. Wenn Sie lange lauten Lärm ausgesetzt sind, können Sie einen Hörverlust erleiden.
- i. **Achten Sie bei anderen Personen auf sicheren Abstand zu Ihrem Arbeitsbereich. Jeder, der den Arbeitsbereich betritt, muss persönliche Schutzausrüstung tragen.** Bruchstücke des Werkstücks oder gebrochener Einsatzwerkzeuge können wegfiegen und Verletzungen auch außerhalb des direkten Arbeitsbereichs verursachen
- j. **Halten Sie das Gerät nur an den isolierten Griffflächen, wenn Sie Arbeiten ausführen, bei denen das Einsatzwerkzeug verborgene Stromleitungen oder das eigene Netzkabel treffen kann.** Der Kontakt des Schneidwerkzeugs mit einer „spannungsführenden“ Leitung kann auch metallene Geräteteile „unter Spannung“ setzen und zu einem elektrischen Schlag führen.
- k. **Halten Sie das Netzkabel von sich drehenden Einsatzwerkzeugen fern.** Wenn Sie die Kontrolle über das Gerät verlieren, kann das Netzkabel durchtrennt oder erfasst werden und Ihre Hand oder Ihr Arm in das sich drehende Einsatzwerkzeug geraten.
- l. **Legen Sie das Elektrowerkzeug niemals ab, bevor das Einsatzwerkzeug völlig zum Stillstandgekommen ist.** Das sich drehende Einsatzwerkzeug kann in Kontakt mit der Ablagefläche geraten, wodurch Sie die Kontrolle über das Elektrowerkzeug verlieren können.
- m. **Lassen Sie das Elektrowerkzeug nicht laufen, während Sie es tragen.** Ihre Kleidung kann durch zufälligen Kontakt mit dem sich drehenden Einsatzwerkzeug erfasst werden, und das Einsatzwerkzeug sich in Ihren Körper bohren
- n. **Reinigen Sie regelmäßig die Lüftungsschlitze Ihres Elektrowerkzeugs.** Das Motorgebläse zieht Staub in das Gehäuse, und eine starke Ansammlung von Metallstaub kann elektrische Gefahren verursachen.
- o. **Verwenden Sie das Elektrowerkzeug nicht in der Nähe brennbarer Materialien.** Funken können diese Materialien entzünden.
- p. **Verwenden Sie keine Einsatzwerkzeuge, die flüssige Kühlmittel erfordern.** Die Verwendung von Wasser oder anderen flüssigen Kühlmitteln kann zu einem elektrischen Schlag führen.

WARNUNGEN VOR RÜCKSCHLAG UND DAMIT ZUSAMMEN-HÄNGENDEN GEFAHREN:

Rückschlag ist die plötzliche Reaktion infolge eines hakenden oder blockierten drehenden Einsatzwerkzeugs, wie Schleifscheibe, Schleifteller, Drahtbürste usw. Verhaken oder Blockieren führt zu einem abrupten Stopp des rotierenden Einsatzwerkzeugs. Dadurch wird ein unkontrolliertes Elektrowerkzeug gegen die Drehrichtung des Einsatzwerkzeugs an der Blockierstelle beschleunigt. Wenn z. B. eine Schleifscheibe im Werkstück hakt oder blockiert, kann sich die Kante der Schleifscheibe, die in das Werkstück eintaucht, verfangen und dadurch die Schleifscheibe ausbrechen oder einen Rückschlag verursachen. Die Schleifscheibe bewegt sich dann auf die Bedienperson zu oder von ihr weg, je nach Drehrichtung der Scheibe an der Blockierstelle. Hierbei können Schleifscheiben auch brechen. Ein Rückschlag ist die Folge eines falschen oder fehlerhaften Gebrauchs des Elektrowerkzeugs. Er kann durch geeignete Vorsichtsmaßnahmen, wie nachfolgend beschrieben, verhindert werden.

- a. Halten Sie das Elektrowerkzeug gut fest und bringen Sie Ihren Körper und Ihre Arme in eine Position, in der Sie die Rückschlagkräfte abfangen können. Verwenden Sie immer den Zusatzgriff, falls vorhanden, um die größtmögliche Kontrolle über Rückschlagkräfte oder Reaktionsmomente beim

Hochlauf zu haben. Die Bedienperson kann durch geeignete Vorsichtsmaßnahmen die Rückschlag- und Reaktionskräfte beherrschen.

- b. **Bringen Sie Ihre Hand nie in die Nähe sich drehender Einsatzwerkzeuge.** Das Einsatzwerkzeug kann sich beim Rückschlag über Ihre Hand bewegen.
- c. **Meiden Sie mit Ihrem Körper den Bereich, in den das Elektrowerkzeug bei einem Rückschlag bewegt wird.** Der Rückschlag treibt das Elektrowerkzeug in die Richtung entgegengesetzt zur Bewegung der Schleifscheibe an der Blockierstelle.
- d. **Arbeiten Sie besonders vorsichtig im Bereich von Ecken, scharfen Kanten usw. Verhindern Sie, dass Einsatzwerkzeuge vom Werkstück zurückprallen und verkleben.** Das rotierende Einsatzwerkzeug neigt bei Ecken, scharfen Kanten oder wenn es abprallt, dazu, sich zu verkleben. Dies verursacht einen Kontrollverlust oder Rückschlag.
- e. **Verwenden Sie kein Ketten- oder gezähntes Sägeblatt.** Solche Einsatzwerkzeuge verursachen häufig einen Rückschlag oder den Verlust der Kontrolle über das Elektrowerkzeug.
- f. **Verwenden Sie keine verstärkten Trennscheiben mit diesem Gerät.** Derartige Werkzeuge können abbrechen und Verletzungen verursachen.

Dies verursacht einen Kontrollverlust oder Rückschlag.

- e. **Verwenden Sie kein Ketten- oder gezähntes Sägeblatt.** Solche Einsatzwerkzeuge verursachen häufig einen Rückschlag oder den Verlust der Kontrolle über das Elektrowerkzeug.
- f. **Verwenden Sie keine verstärkten Trennscheiben mit diesem Gerät.** Derartige Werkzeuge können abbrechen und Verletzungen verursachen.

SPEZIFISCHE SICHERHEITSWARNHINWEISE FÜR SANDPAPIERSCHLEIFEN

- a. **Benutzen Sie keine überdimensionierten Schleifblätter, sondern befolgen Sie die Herstellerangaben zur Schleifblattgröße.** Schleifblätter, die über den Schleifteller hinausragen, können Verletzungen verursachen sowie zum Blockieren, Zerreißen der Schleifblätter oder zum Rückschlag führen.
- b. **Stellen Sie die Drehzahl des wie für Schleifanwendungen empfohlen ein.** Das Schleifen bei hoher Drehzahl kann Verletzungen und/oder Verbrennungen verursachen.



Gehörschutz tragen; Augenschutz tragen; Staubmaske tragen; Schutzhandschuhe tragen.

BESONDERE SICHERHEITSHINWEISE ZUM SCHLEIFEN UND TRENNSCHLEIFEN

- a. Verwenden Sie ausschließlich die für Ihr Elektrowerkzeug zugelassenen Schleifkörper und die für diese Schleifkörper vorgesehene Schutzhaube. Schleifkörper, die nicht für das Elektrowerkzeug vorgesehen sind, können nicht ausreichend abgeschirmt werden und sind unsicher.
- b. **Bringen Sie Ihre Hand nie in die Nähe sich drehender Einsatzwerkzeuge.** Das Einsatzwerkzeug kann sich beim Rückschlag über Ihre Hand bewegen.
- c. **Meiden Sie mit Ihrem Körper den Bereich, in den das Elektrowerkzeug bei einem Rückschlag bewegt wird.** Der Rückschlag treibt das Elektrowerkzeug in die Richtung entgegengesetzt zur Bewegung der Schleifscheibe an der Blockierstelle.
- d. **Arbeiten Sie besonders vorsichtig im Bereich von Ecken, scharfen Kanten usw. Verhindern Sie, dass Einsatzwerkzeuge vom Werkstück zurückprallen und verkleben.** Das rotierende Einsatzwerkzeug neigt bei Ecken, scharfen Kanten oder wenn es abprallt, dazu, sich zu verkleben.

- a. **Verwenden Sie geeignete Detektoren, um versteckte Leitungen im Arbeitsbereich zu orten oder wenden Sie sich diesbezüglich an ihre örtlichen Versorgungsunternehmen.** Der Kontakt mit Stromleitungen kann zu Bränden und Stromschlägen führen. Die Beschädigung von Gasleitungen kann zu Explosionen führen. Die Beschädigung von Wasserleitungen kann zu Gebäudeschäden oder Stromschlägen führen.
- b. **Lassen Sie den Ein- /Ausschalter los und stellen Sie diesen in Stellung AUS, wenn die Stromversorgung unterbrochen ist, z. B. bei Stromausfall oder bei gezogenem Netzstecker.**
- c. **Berühren Sie die Schleif- und Trennscheiben nur im abgekühlten Zustand.** Die Scheiben können während des Betriebs sehr heiß werden.
- d. **Sorgen Sie für eine sichere Befestigung des Werkstücks.** Ein mittels Klemmvorrichtungen oder in einem Schraubstock eingespanntes Werkstück ist sicherer als ein von Hand gehaltenes.

LERNEN SIE IHR WERKZEUG KENNEN

PRODUKTBESCHREIBUNG UND SPEZIFIKATIONEN



Lesen Sie alle Sicherheitswarnungen und alle Anweisungen sorgfältig. Das Nichtbefolgen der Warnungen und Anweisungen kann zu Stromschlag, Feuer und/oder schweren Verletzungen führen.

CE - Konformitätserklärung:

Arbortech erklärt, dass das in dieser Anleitung unter „Technische Daten“ beschriebene Produkt MIN.FG.900.60 und MIN.FG.910.60 den standardisierten Dokumenten nach EN 60745 entspricht, EMC 2014/30/EU and RoHS 2011/65/EU Richtlinien.

Technisches Datenblatt gemäß Maschinenrichtlinie 2006/42 / EG unter: Arbortech PTY LTD | 67 Westchester Road, Malaga, WA 6090

Sven Blicks
General Manager

BESTIMMUNGSGEMÄSSE VERWENDUNG

Der Mini Carver/Mini Grinder Trade ist für das Schnitzen, Abtragen und Schleifen von Metall, Stein und Holz ohne Verwendung von Wasser vorgesehen.

Hinweis: Alle Texte, Diagramme und Daten sind zum Zeitpunkt der Drucklegung korrekt. Im Interesse einer ständigen Verbesserung unserer Produkte können technische Daten ohne vorherige Ankündigung geändert werden.

Verwenden Sie für die Arbeit mit Materialien, bei denen staub anfällt das Staubabsaugzubehör.

Stromversorgung	230	V
Nennleistung	1000	W
Frequenz	50	Hz
Schutzart	II	II
Nenn Drehzahl	6000-19500	Rpm
Werkzeugdurchmesser	54	mm
Größe Befestigungsbohrung	9.5	mm
Größe Befestigungsschraube	M5	mm
Gewicht	2.35	kg
Vibrationsemission (k=1.5)	7.31	m/sec ²
Geräuschemission (k=3.0)	96	dB(A)

! WARNUNG: Das angegebene Vibrationspegel bezieht sich auf Hauptanwendungen des Werkzeugs. Wenn das Werkzeug jedoch für abweichende Anwendungen, mit unterschiedlichem Zubehör oder Einsatzwerkzeugen verwendet oder schlecht gewartet wird, kann die Vibrationsemission unterschiedlich sein. Dies kann das Expositions-niveau während der gesamten Arbeitszeit beträchtlich erhöhen.

Eine Abschätzung der Vibrationsbelastung sollte auch die Zeiten berücksichtigen, in denen das Werkzeug ausgeschaltet ist oder läuft, aber nicht für seinen vorgesehenen Zweck verwendet wird. Dies kann das Expositions-niveau über die gesamte Arbeitszeit erheblich reduzieren. Verwenden Sie zusätzliche Sicherheitsmaßnahmen, um den Bediener vor den Auswirkungen von Vibrationen zu schützen.

AUSPACKEN UND MONTAGE

Das Gerät und Zubehör auf eventuelle Transportschäden überprüfen. Bei Beschädigung unverzüglich den Händler kontaktieren.

Den Hilfsgriff aus dem Karton nehmen und am Gerät anbringen. (Abb. A)

Vor der Verwendung sicherstellen, dass die Klemmschraube (18) vollständig angezogen ist.

PRODUKTMERKMALE UND LISTE DER KOMPONENTEN

ELEMENT	Merkmale und Komponenten
1	Mini Carver/Mini Grinder Trade-Gehäuse
2	Hilfsgriff
3	Ein/AUS-Schalter
4	Drehzahlregler
5	Verriegelungstaste
6	Verlängerungsarm
7	Mini-Welle
8	Lager
9	Lagerdeckel
10	Flachkopfschraube 4 g
11	Kleine Riemenscheibe
12	Große Riemenscheibe
13	Riemen
14	Schutzabdeckung
15	Flachkopfschraube 6 g
16	Mini Pro-Frasscheibe ¹
17	Klemmscheibe
18	Klemmschraube M5
19	Staubabzugsabdeckung
20	Schleifpad
21	Schleifpapier
22	Klemmbuchse
23	Senkkopfschraube
24	Diamant-Trennscheibe ²
25	Schleifscheibe ²
26	Spindelsperre - Abdeckung
27	Blattfeder
28	Verriegelungsstange
29	Verriegelungstaste


¹ Inbegriffen Mini Carver

² Inbegriffen Mini Grinder Trade

PRODUKTMERKMALE UND KOMPONENTENLISTE

Abb. A, Abb. B, Abb. C


BEFESTIGUNGSWERKZEUGE UND ZUBEHÖR

 **WARNUNG:** Um das Risiko schwerer Verletzungen zu verringern, schalten Sie das Gerät aus und trennen Sie es von der Stromquelle, bevor Sie Einstellungen vornehmen oder Werkzeuge oder Zubehörteile entfernen oder installieren.

1. AUSTAUSCH DER SCHNEID-UND SCHLEIFSCHEIBEN

Einen Flachsraubendreher in die Mini-Welle (7) einsetzen, um deren Drehung zu verhindern, anschließend die Klemmschraube (18) mit dem mitgelieferten Inbusschlüssel lösen (Abb. D). Die Klinge wie in den folgenden Diagrammen dargestellt durch ein anderes von ArborTech empfohlenes Produkt ersetzen.

Die neue Scheibe über die kleine Rolle legen und sicherstellen, dass diese richtig zentriert ist und flach auf der Seite der Rolle sitzt. Die Klemmscheibe (17) über die Scheibe legen, anschließend die Klemmschraube (18) einsetzen und in der angegebenen Reihenfolge festziehen (Abb. E). Sicherstellen, dass die Markierungen auf der Scheibe sichtbar sind und der Rotationspfeil in die gleiche Richtung zeigt wie der Pfeil auf der Rückseite der Schutzabdeckung.

 **WARNUNG:** Wenn die Scheiben nicht ordnungsgemäß über die Riemenscheibe montiert werden, kann dies zu schweren Verletzungen führen oder das Werkzeug beschädigen.

2. BEFESTIGUNG DES SCHLEIFPADS

Befolgen Sie die oben angegebenen Schritte zum Ausbau der Scheibe (Schritt 1).

Zuerst das Schleifpapier (21) über den Schleifteller (20) legen, anschließend die Senkkopfschraube (23) in die Spannbuchse (22) einsetzen und zusammen in die Mittelbohrung des Schleifpads einführen. Anschließend das Schleifpad über der kleinen Rolle (11) einsetzen (Abb. F) und die Schraube auf der Miniwelle festziehen.

3. BEFESTIGUNG DER STAUBABSAUGUNG

Um die Staubabsaugung zu montieren, zuerst die vorderen Nasen der Staubabsaugung (19) unter die Abdeckungen der Schutzabdeckung

einsetzen, anschließend das hintere Ende nach unten drücken, um die Verriegelungen über den seitlichen Verlängerungsarm zu verriegeln, wie in Abb. G gezeigt. Den Staubsaugerschlauch in die Staubabsaugleitung einsetzen (Abb. H). Die Staubabsaugung passt für Schlauchdurchmesser Ø 35 mm.

Um die Staubabsaugung zu entfernen, diese Staubabsaugung seitlich vom Verlängerungsarm abziehen und in umgekehrter Richtung herausziehen.

WARNUNG:

- Zur Verringerung von Gesundheitsschäden immer die Staubabsaugung verwenden.
- Beim Schneiden von Mauerwerk für eine ausreichende Staubabsaugung sorgen.
- Der Staubsauger muss für das Absaugen von Mauerwerkstaub zugelassen sein.
- Staubschutzmaske tragen.
- Das Gerät darf nur zum Trockenschneiden bzw. -schleifen benutzt werden.



WARNUNG: STETS ANGEMESSENE SICHERHEITSAUSRÜSTUNG, EINSCHLIESSLICH GEHÖR-, AUGEN UND ATEMSCUTZ TRAGEN.

Das Gerät **NICHT** unter nassen Bedingungen oder in Gegenwart von brennbaren Flüssigkeiten und Gasen verwenden.

VORSICHT: Verwenden Sie bei Arbeiten an Materialien, die mit giftigen Substanzen behandelt sind oder diese enthalten, angemessene persönliche Schutzausrüstung und befolgen Sie die örtlichen Sicherheitsvorschriften.

BETRIEB

Verwenden Sie zur Bedienung des Mini Carver/Mini Grinder Trade stets beide Hände, indem Sie die linke Hand auf den Hilfsgriff und die rechte auf den Werkzeugkörper legen (Abb. J).

Stellen Sie sicher, dass die Maschine läuft, BEVOR sie mit dem zu bearbeitenden Material in Kontakt kommt.. Halten Sie den Mini Carver/Mini Grinder Trade zum Schleifen, Schmirgeln oder Holzschnitzen wie in Abb. K gezeigt.

SCHNEIDGRIFF

Verwenden Sie das Mini Industrial Frässscheibe zum Schneiden oder Abtragen von Holz und Kunststoff.

Verwenden Sie die Mini Schleifpads für das Schleifen und Reinigen von Holz, Kunststoff, Metallen, Farbe und mehr.

Verwenden Sie die Diamantklinge zum Schneiden und Einkerbten von Mauerwerk.

Verwenden Sie die Schleifscheibe, um Metall zu schleifen.

AUFNAHME DES BETRIEBS

Auf die richtige Netzspannung achten! Die Spannung der Stromversorgung muss der auf dem Typenschild des Geräts angegebenen Spannung entsprechen. Mit 230-240 V gekennzeichnete Elektrowerkzeuge können auch mit 220 V betrieben werden.

ANSTELLWINKEL & SCHNITTRICHTUNG

25-30° ist ein bequemer Arbeitswinkel.

Verwenden Sie die untere Kante der Klinge (wie in Abb. L/M gezeigt) und nicht wie in Abb. N dargestellt.

EIN- UND AUSSCHALTEN

Zum Ein- und Ausschaltend den Ein/Aus-Schalter 3 nach vorne schieben.

Um den Ein-/Aus-Schalter 3 zu verriegeln, diesen bis zum Einrasten nach unten drücken.

Um das Elektrowerkzeug auszuschalten, lassen Sie den Ein /Aus-Schalter 3 los oder drücken Sie, falls dieser verriegelt ist, kurz die Rückseite des kurz nach unten und lassen Sie diesen dann los.

- Die Schleifwerkzeuge vor der Verwendung kontrollieren. Das Schleifwerkzeug muss ordnungsgemäß befestigt und frei beweglich sein.

Führen Sie vor der Verwendung einen Probelauf ohne Belastung durch. Verwenden Sie keine beschädigten, nicht zentrierten oder vibrierenden Werkzeuge.

VORSICHT:

Wiederanlaufschutz – Der Wiederanlaufschutz verhindert den unkontrollierten Anlauf des Geräts nach einer Unterbrechung der Stromversorgung. Um den Betrieb wiederaufzunehmen, den Ein/Aus-Schalter 3 in Stellung AUS bringen und das Gerät erneut einschalten.

WARNUNG:

- **Lesen Sie stets die Sicherheitsanweisungen und die geltenden Vorschriften**
- **Stützen und sichern Sie das Werkstück, um Bewegungen und Kontrollverlust zu vermeiden.**
- **Üben Sie keinen Druck aus und belasten Sie die Maschine nicht so stark, dass diese zum Stillstand kommt.**


- **Wenn Sie das Elektrowerkzeug stark belastet haben, lassen Sie es einige Minuten im Leerlauf laufen, damit sich das Zubehör abkühlen kann.**
- **Berühren Sie die Schleif- und Trennscheiben nur im abgekühlten Zustand. Die Scheiben können während des Betriebs sehr heiß werden.**

WERKZEUG	LEISTUNGSEINSTELLUNG	ANWENDUNG
Mini Pro-Frässcheibe ¹	5-6	Holzschnitzen
Diamantscheibe ²	5-6	Schleifen von Mauerwerk
Schleifscheibe ²	5-6	Metallschleifen
Schleifpad	1-3	Schmirgeln von Holz, Metall und anderen Materialien. Verwenden Sie für Schleifpapier mit höherer Körnung eine niedrigere Drehzahl.

¹ Inbegriffen Mini Carver

² Inbegriffen Mini Grinder Trade

WARTUNG

 **WARNUNG: DAS GERÄT VOR ALLEN REINIGUNGS-UND WARTUNGSARBEITEN VOM STROMNETZ TRENNEN.**

REINIGUNG DER GITTER UND SCHALTER

Überprüfen Sie regelmäßig, ob Staub oder Fremdkörper in die Gitter an der Vorder- und Rückseite des Motors (Abb. O und P) oder unter den EIN / AUS-Schalter (Abb. A) gelangt sind.

Verwenden Sie in diesem Fall einen weichen Pinsel, um angesammelten Staub zu entfernen und die Gitter und Schalter zu reinigen.

SPANNEN ODER AUSTAUSCHEN DES RIEMENS

Mini Carver/Mini Grinder Trade vom Stromnetz trennen.

Entfernen Sie das Messer und die Schutzabdeckung (14), heben Sie dann die Rückseite der Schutzabdeckung an und schieben Sie die Abdeckung zurück und heben Sie sie ab (Abb.Q). Lösen Sie die 4 Schrauben (10) (Abb. R), bis sich Lagerdeckel (9) und Spindelarretierdeckel (26) im Arm drehen können.

Drehen Sie die Komponenten 9 und 26 zusammen gegen den Uhrzeigersinn (Abb. R), bis die Schrauben mit der nächsten Lochposition im Arm ausgerichtet sind (Abb. S). Dadurch bewegt sich die kleine Riemenscheibe und erzeugt Spannung im Riemen. Stellen Sie sicher, dass der Riemen wie in (Abb. T) gezeigt richtig über den Riemenscheiben positioniert ist und die kleine Riemenscheibe vollständig auf die Spindel eingeführt ist.

Wenn das Spannen beendet ist, ziehen Sie die Schrauben fest. Befestigen Sie dann die Schutzabdeckung am Arm und installieren Sie die Klinge.

RIEMEN NICHT ÜBERSPANNEN

Hinweis: Reinigen Sie die Umgebung mit einem weichen Tuch oder einem kleinen Pinsel.

**Zubehör und Ersatzteile
finden Sie unter
www.arbortechtools.com**

* Der Hersteller behält sich das Recht vor, Spezifikationen ohne vorherige Ankündigung zu ändern.

****Hinweis:** Die Spezifikationen können von Land zu Land unterschiedlich sein.

HINWEIS: Je nach den für Ihr Land gültigen Vorgaben kann der Motor von dem auf der Packung abgebildeten abweichen.

ARBORTECH™

**ARBORTECH PTY LTD 67 WESTCHESTER ROAD
MALAGA 6090**

PERTH WESTERN AUSTRALIA
Tel: 08 9249 1944 Fax: 08 9249 2936

U.S.A. -Tollfree: 866-517-7869
U.S.A Office: 978-466-7945 U.S.A Fax: 866-515-8104
EUROPE: Tel: +49 2724-288301
Fax: +49 2724-205515

**www.arbortechtools.com
Facebook: @arbortechtools
Email: arbortech@arbortech.com.au**



AVVERTENZE GENERALI DI SICUREZZA PER APPARATI ELETTRICI



**AVVERTENZA - LEGGERE
TUTTE LE AVVERTENZE DI
SICUREZZA, LE ISTRUZIONI,
LE ILLUSTRAZIONI E LE
SPECIFICHE FORNITE
CON QUESTO UTENSILE
ELETTRICO.**

La mancata osservanza delle istruzioni seguenti può causare scossa elettrica, incendio e/o gravi lesioni personali.

CONSERVARE LE AVVERTENZE E LE ISTRUZIONI PER RIFERIMENTI FUTURI

Il termine "apparato elettrico" utilizzato nelle avvertenze fa riferimento sia agli apparati alimentati a corrente (con cavo elettrico), sia a quelli a batteria (senza cavo)

1) SICUREZZA DELL'AREA DI LAVORO

- Mantenere l'area di lavoro pulita e ben illuminata.** Gli ambienti disordinati o scarsamente illuminati favoriscono gli incidenti.
- Non azionare gli apparati in ambienti con atmosfera esplosiva, come quelli in presenza di liquidi, gas o polveri infiammabili.** Gli apparati elettrici creano scintille che possono incendiare le polveri o i fumi.
- Durante l'uso di un apparato elettrico, tenere lontani i bambini e chiunque si trovi nelle vicinanze.** Le distrazioni possono provocare la perdita di controllo

2) SICUREZZA ELETTRICA

- Le spine dell'apparato elettrico devono essere adatte alla presa di alimentazione. Non modificare la spina in alcun modo. Non collegare un adattatore alla spina di un apparato elettrico dotato di scarico a terra.** Per ridurre il rischio di scossa elettrica evitare di modificare le spine e utilizzare sempre le prese appropriate.
- Evitare il contatto con superfici collegate con la terra, quali tubature, termosifoni, fornelli e frigoriferi.** Se il proprio corpo è collegato con la terra, il rischio di scossa elettrica aumenta.
- Non esporre gli apparati elettrici alla pioggia o all'umidità.** Se l'acqua entra nell'apparato elettrico aumenta il rischio di scossa elettrica.

- Non utilizzare il cavo elettrico in modo improprio. Non utilizzare mai il cavo per spostare, tirare o scollegare l'apparato elettrico. Tenere il cavo elettrico lontano da fonti di calore, olio, bordi taglienti o parti in movimento.** Se il cavo è danneggiato o impigliato, il rischio di scossa elettrica aumenta
- Quando l'apparato elettrico viene impiegato all'aperto, utilizzare unicamente cavi di prolunga previsti per esterni.** L'uso di un cavo elettrico adatto ad ambienti esterni riduce il rischio di scossa elettrica.
- Se è non è possibile evitare l'uso di un apparato elettrico in ambienti umidi, usare una fonte di corrente protetta da un interruttore differenziale (salvavita).** L'uso di un interruttore differenziale riduce il rischio di scossa elettrica.

3) SICUREZZA PERSONALE

- Quando si utilizza un apparato elettrico evitare di distrarsi. Prestare attenzione a quello che si sta facendo e utilizzare il buon senso. Non utilizzare l'apparato elettrico quando si è stanchi o sotto l'effetto di droghe, alcool o medicinali.** Un solo attimo di distrazione durante l'uso di tali apparati potrebbe provocare gravi lesioni personali.
- Indossare abbigliamento di protezione adeguato. Utilizzare sempre protezioni oculari.** L'uso di abbigliamento di protezione quali mascherine antipolvere, scarpe antinfortunistiche antiscivolo, caschi di sicurezza o protezioni uditive, in condizioni opportune consente di ridurre le lesioni personali.
- Evitare avvii involontari. Assicurarsi che l'interruttore sia in posizione di spento prima inserire l'alimentazione elettrica e/o il blocco batteria e prima di afferrare o trasportare l'apparato.** Il trasporto di apparati elettrici tenendo il dito sull'interruttore o quando sono collegati alla rete elettrica con l'interruttore nella posizione di accesso provoca incidenti.
- Prima di accendere l'apparato elettrico, rimuovere eventuali chiavi o utensili di regolazione.** Un utensile di regolazione o una chiave fissati su una parte rotante dell'apparato elettrico possono provocare lesioni personali.
- Non sporgersi. Mantenere sempre una buona stabilità al suolo ed equilibrio.** Ciò consente un migliore controllo dell'apparato nelle situazioni impreviste.
- Indossare vestiario adeguato. Non indossare abiti lenti o gioielli. Tenere capelli, vestiti e guanti lontano dalle parti in movimento.** Abiti lenti, gioielli o capelli lunghi possono impigliarsi nelle parti in movimento.

- g. **Se i dispositivi sono forniti di collegamento con l'attrezzatura di aspirazione e raccolta delle polveri, assicurarsi che siano collegati e utilizzati correttamente.** La raccolta delle polveri può ridurre i pericoli legati a queste ultime.
- h. **Non lasciate che la familiarità acquisita con l'uso frequente degli utensili vi permetta di diventare compiacenti e di ignorare la sicurezza degli utensili.** Un'azione negligente può causare gravi lesioni in una frazione di secondo.

4) USO E MANUTENZIONE DELL'APPARATO ELETTRICO

- a. **Non forzare l'apparato. Utilizzare un apparato adatto al lavoro da eseguire.** L'apparato lavora meglio e con maggior sicurezza se utilizzato secondo quanto è stato previsto.
- b. **Non utilizzare l'apparato se l'interruttore non permette l'accensione o lo spegnimento.** Qualsiasi apparato elettrico che non possa essere controllato tramite l'interruttore è pericoloso e deve essere riparato
- c. **Staccare la spina dall'alimentazione elettrica e/o il blocco batteria dell'apparato elettrico prima di effettuare qualsiasi tipo di regolazione, prima di cambiare gli accessori o di riportarlo.** Queste misure di sicurezza preventive riducono il rischio di azionare l'apparato accidentalmente.
- d. **Riporre gli apparati non utilizzati fuori dalla portata dei bambini ed evitarne l'uso da parte di persone che hanno poca familiarità con l'apparato elettrico e con le presenti istruzioni.** Gli apparati elettrici sono pericolosi in mano a persone inesperte.
- e. **Eseguire una manutenzione adeguata degli apparati elettrici. Verificare il cattivo allineamento e inceppamento di parti mobili, la rottura di componenti e ogni altra condizione che possa influire sul funzionamento degli apparati. Se danneggiato, far riparare l'apparato elettrico prima dell'uso.** Molti incidenti sono provocati da apparati elettrici su cui non è stata effettuata la corretta manutenzione.
- f. Tenere gli utensili da taglio affilati e puliti. La manutenzione corretta degli utensili da taglio con bordi affilati riduce le probabilità di inceppamento e ne facilita il controllo.
- g. **Utilizzare l'apparato elettrico, gli accessori, le punte ecc., rispettando le presenti istruzioni e tenendo in considerazione le condizioni di funzionamento e il lavoro da eseguire.** L'utilizzo dell'apparato elettrico per impieghi diversi da quelli previsti può provocare situazioni di pericolo.
- h. **Mantenere le maniglie e le superfici di presa asciutte, pulite e prive di olio o grasso.** Se le

maniglie e le superfici di presa sono scivolose, non consentono di manipolare e controllare in modo sicuro l'utensile in situazioni impreviste.

5) ASSISTENZA

- a. **L'apparato elettrico deve essere riparato da personale qualificato, che utilizzi ricambi originali identici alle parti da sostituire.** In questo modo viene garantita la sicurezza dell'apparato elettrico.



MINI CARVER/MINI GRINDER TRADE NORME DI SICUREZZA SPECIFICHE AGGIUNTIVE

AVVERTENZE DI SICUREZZA COMUNI PER LA SMERIGLIATURA; LA CARTEGGIATURA O L'INTAGLIO DEL LEGNO:

- a. **Questo utensile elettrico è destinato a funzionare come smerigliatrice, carteggiatrice o intagliatrice per legno. Leggere tutte le avvertenze di sicurezza, le istruzioni, le illustrazioni e le specifiche fornite con questo utensile elettrico.** La mancata osservanza delle istruzioni elencate di seguito può provocare scosse elettriche, incendi e/o lesioni gravi.
- b. **Con questo apparato non è consigliabile eseguire lavorazioni di lucidatura.** L'esecuzione di lavorazioni per le quali l'apparato non è stato progettato comporta dei rischi e può causare lesioni personali.
- c. **Non utilizzare accessori non progettati appositamente o non consigliati dal produttore per questo tipo di apparato.** Anche se un accessorio può essere collegato all'apparato, ciò non ne garantisce la sicurezza di utilizzo.
- d. **La velocità nominale dell'accessorio deve essere pari almeno a quella massima indicata sull'apparato.** Gli accessori fatti funzionare a una velocità superiore rispetto a quella nomi.
- e. **Il diametro esterno e lo spessore dell'accessorio devono rientrare nei limiti previsti per l'apparato.** Non è possibile proteggere o controllare adeguatamente gli accessori di dimensioni errate.
- f. **Il montaggio filettato degli accessori deve corrispondere alla filettatura del mandrino della smerigliatrice. Per gli accessori montati tramite flange, il foro dell'albero dell'accessorio deve corrispondere al diametro di posizionamento della flangia. Gli accessori che non corrispondono alla struttura di montaggio**

- dell'apparato non mantengono l'equilibrio, vibrano eccessivamente e possono causare la perdita di controllo.
- g. **Non utilizzare accessori danneggiati. Prima di ogni utilizzo controllare gli accessori affinché sui dischi abrasivi non vi siano scheggiature e lesioni, non siano presenti crepe o segni eccessivi di usura sul piattello, che le spazzole metalliche non abbiano filamenti metallici staccati o spezzati. Se l'apparato o l'accessorio è caduto, verificare eventuali danni o installare un accessorio non danneggiato. Dopo aver ispezionato o installato un accessorio, verificare che l'operatore e le altre persone siano lontane dal piano dell'accessorio rotante e far girare l'apparato a vuoto alla massima velocità per un minuto.** Gli accessori danneggiati normalmente si rompono durante questa fase di verifica.
- h. **Indossare abbigliamento di protezione adeguato. A seconda delle lavorazioni, utilizzare una maschera o occhiali di protezione. Se opportuno, indossare una mascherina antipolvere, protezioni acustiche, guanti e un grembiule da lavoro in grado di arrestare frammenti abrasivi o di lavorazione di piccole dimensioni. La protezione oculare deve impedire a detriti volanti generati dalle varie lavorazioni di raggiungere gli occhi.** La maschera antipolvere o il respiratore devono essere in grado di filtrare le particelle generate dalle lavorazioni. L'esposizione prolungata a rumori di alta intensità può causare la perdita dell'udito.
- i. **Tenere le altre persone a distanza di sicurezza dalla zona di lavoro. Chiunque acceda alla zona di lavoro deve indossare abbigliamento di protezione adeguato.** Frammenti del pezzo da lavorare o di un accessorio rotto possono volare via e causare lesioni al di là dell'immediata area di lavoro.
- j. **Sostenere l'apparato unicamente con supporti aventi superfici isolanti quando si eseguono lavorazioni in cui la parte tagliente potrebbe toccare cavi elettrici nascosti o il cavo di alimentazione dell'apparato stesso.** Gli accessori da taglio che vengono a contatto con un cavo sotto tensione trasmettono la corrente elettrica anche alle parti metalliche esposte dell'apparato e possono provocare la folgorazione dell'operatore.
- k. **Posizionare il cavo lontano dall'accessorio rotante.** In caso di perdita di controllo, il cavo può essere tagliato o impigliato e potrebbe avere una forza tale da trascinare la mano o il braccio dell'operatore verso l'accessorio rotante.
- l. **Non appoggiare mai l'apparato finché l'accessorio non si sia completamente arrestato.** L'accessorio rotante potrebbe fare presa sulla superficie e trascinare l'apparato facendone perdere il controllo.
- m. **Non azionare l'apparato mentre lo si trasporta a fianco.** Un contatto accidentale con l'accessorio rotante può farlo impigliare ai vestiti e trascinarlo verso il corpo dell'operatore.
- n. **Pulire regolarmente le prese d'aria dell'apparato.** La ventola del motore può attirare la polvere all'interno dell'alloggiamento e l'accumulo eccessivo di metallo polverizzato può causare pericoli elettrici.
- o. **Non utilizzare l'apparato vicino a materiali infiammabili.** Le scintille possono far prendere fuoco ai materiali.
- p. **Non utilizzare accessori che richiedono refrigeranti liquidi.** L'utilizzo di acqua o altri liquidi refrigeranti può provocare elettrocuzione o scosse elettriche.

CONTRACCOLPI E RELATIVI AVVERTIMENTI

Il rimbalzo è una reazione improvvisa provocata da mole, piattelli, spazzole o qualsiasi altro accessorio in rotazione che rimanga pinzato o impigliato. Ciò provoca un arresto immediato dell'accessorio rotante che a sua volta provoca la perdita di controllo dell'apparato, che viene spinto nella direzione opposta rispetto alla rotazione dell'accessorio nel punto in cui è stato trattenuto. Ad esempio, se un disco abrasivo è impigliato o pinzato dal pezzo da lavorare, il bordo della mola penetrato nel punto pinzato può scavare nel materiale e causare lo scavalciamento o il rimbalzo della mola. La mola può saltare sia verso l'operatore che in direzione opposta a secondo della direzione del movimento della mola nel punto pinzato. In queste condizioni è possibile che i dischi abrasivi si spezzino. Il rimbalzo è il risultato di un uso sbagliato dell'apparato e/o di metodi o condizioni di lavoro scorretti e può essere evitato prendendo le appropriate precauzioni come descritto di seguito:

- a. mantenere una salda presa sull'apparato e scegliere una posizione per corpo e braccia che sia in grado di resistere alle forze di rimbalzo. Utilizzare sempre l'impugnatura ausiliaria, se presente, per offrire la massima resistenza al rimbalzo o alla reazione di coppia durante l'avviamento. L'operatore può frenare la reazione di coppia o la forza di rimbalzo se vengono prese le precauzioni adatte
- b. **non porre mai le mani vicino l'accessorio rotante.** L'accessorio può rimbalzare sulle mani dell'operatore.
- c. **l'operatore non deve posizionarsi nel punto in cui si potrebbe dirigere l'apparato in caso di rimbalzo.** Il rimbalzo spinge l'apparato nella direzione opposta al movimento del disco nel punto in cui si impiglia.

- d. **prestare particolare attenzione quando si lavorano angoli, estremità appuntite ecc. Evitare di far rimbalzare o impigliare l'accessorio.** Angoli, estremità appuntite o rimbalzi tendono a fare impigliare l'accessorio rotante e a causare la perdita di controllo o il rimbalzo dell'apparato.
- e. **non collegare una lama da motosega per legno o una lama da sega dentata.** Queste lame creano rimbalzi e perdita di controllo frequenti.
- f. **Non applicare dischi abrasivi rinforzati.** Questi utensili potrebbero rompersi e causare lesioni.

AVVERTENZE DI SICUREZZA SPECIFICHE PER LAVORAZIONI DI SMERIGLIATURA E TAGLIO ABRASIVO

- a. **Usare solo i tipi di mola raccomandati per il proprio apparato e le protezioni specifiche progettate per quella mola.** Le mole non omologate per quell'apparato non possono essere protette adeguatamente e non sono sicure.
- b. **La superficie di smerigliatura delle mole premute al centro deve essere montata al di sotto del piano della linguetta di protezione.** Non è possibile fornire una protezione adeguata a una mola non montata correttamente che sporge attraverso il piano della linguetta di protezione.
- c. **La protezione deve essere fissata saldamente all'apparato e posizionata per la massima sicurezza, in modo che la mola sporga il meno possibile verso l'operatore.** La protezione serve per proteggere l'operatore da frammenti di mole spezzate, da un contatto accidentale con la mola e dalle scintille che potrebbero incendiare gli indumenti.
- d. **Le mole vanno usate solo nelle lavorazioni per cui sono raccomandate. Per esempio: non molare con il fianco di una mola da taglio.** Le mole da taglio abrasivo sono progettate per la smerigliatura periferica. Forze laterali applicate a queste mole possono causarne la frantumazione.
- e. **Per le mole utilizzare sempre flange non danneggiate, della dimensione e forma corretta per quella mola.** Se le flange sono appropriate, supportano la mola e ne riducono la possibilità di rottura. Le flange per dischi da taglio possono diffire dalle flange per dischi abrasivi.
- f. **Non utilizzare mole consumate dall'uso con apparati più potenti.** Le mole progettate per apparati più potenti non sono adatte alle maggiori velocità degli apparati più piccoli e si possono spaccare.

ADVERTENCIAS DE SEGURIDAD ESPECÍFICAS PARA OPERACIONES DE LIJADO

- a. **No utilice papel de disco de lijado de un tamaño excesivamente grande. Siga las recomendaciones del fabricante al seleccionar el papel de lijado.** El papel de lijado grande que sobresalga del disco de lijado presenta un riesgo de laceración y puede ocasionar el enganche o rotura del disco o un rebote.
- b. **Regular la velocidad del come consiguato per le applicazioni di smerigliatura.** La smerigliatura ad alta velocità presenta rischi di lacerazioni e scottature.

AVVERTENZE DI SICUREZZA AGGIUNTIVE



Indossare protezioni per l'udito; Indossare occhiali protettivi; Indossare una maschera antipolvere; Indossare guanti protettivi.

- a. **Utilizzare rilevatori adatti per determinare se le linee di alimentazione nell'area di lavoro sono nascoste o chiamare locale l'azienda di servizi per assistenza.** Il contatto con le linee di alimentazione può provocare incendi e scosse elettriche. Il danneggiamento di una tubazione del gas può provocare esplosioni. La fuoriuscita di acqua da un impianto idrico provoca danni materiali o scosse elettriche.
- b. Sbloccare l'interruttore On/Off e portarlo in posizione Off quando l'alimentazione è interrotta, ad es. in caso di blackout o quando viene estratta la spina dalla presa di corrente.
- c. Non toccare i dischi di smerigliatura o taglio prima che si raffreddino. I dischi si surriscaldano durante il lavoro.
- d. Bloccare il pezzo da lavorare. Un pezzo bloccato con dispositivi di serraggio o in una morsa è tenuto più fermamente che a mano.

CONOSCERE LE ATTREZZATURE

DESCRIZIONE DEL PRODOTTO E SPECIFICHE



Leggere tutte le avvertenze di sicurezza e tutte le istruzioni. La mancata osservanza delle avvertenze e delle istruzioni può provocare scosse elettriche, incendi e/o lesioni gravi.

Dichiarazione di conformità CE:

Arbortech dichiara che il prodotto MIN.FG.900.60 e MIN.FG.910.60 descritto in questo manuale in "Specifiche tecniche" è fabbricato in conformità con la norma EN 60745, EMC 2014/30/EU and RoHS 2011/65/EU direttivi.

Scheda tecnica conforme alla Direttiva sui macchinari 2006/42/CE in: Arbortech PTY LTD | 67 Westchester Road, Malaga, WA 6090

Sven Blicks

Direttore generale

IMPIEGO PREVISTO

Il Mini Carver/Mini Grinder Trade è concepito per la smerigliatura, l'intaglio e la carteggiatura di metallo, pietra e legno senza uso di acqua.

Nota bene: i testi, i disegni e i dati sono aggiornati al momento della stampa. Ai fini del miglioramento continuo dei nostri prodotti, le specifiche tecniche sono soggette a modifiche senza preavviso.

Nel lavoro con applicazioni su materiali che producono polvere, utilizzare accessori di aspirazione.

ion accessories.

Alimentazione	230	V
Potenza	1000	W
Frequenza	50	Hz
Classe di protezione	II	II
Velocità nominale	6000-19500	Rpm
Diametro utensile	54	mm
Dimensioni foro di montaggio	9.5	mm
Dimensioni vite di montaggio	M5	mm
Peso	2.35	kg
Emissione di vibrazioni (k = 1,5)	7.31	m/sec ²
Emissione sonora (k=3.0)	96	dB(A)

⚠ AVVERTENZA: Il livello di emissione vibrazioni indicato vale per le principali applicazioni dell'utensile. Tuttavia, se l'utensile viene utilizzato per applicazioni diverse, con diversi accessori o utensili di inserimento, o se non viene sottoposto a corretta manutenzione, l'emissione di vibrazioni potrebbe essere diversa. Ciò potrebbe aumentare sensibilmente il livello di esposizione nell'intero arco di lavoro.

La stima del livello di esposizione alla vibrazione dovrebbe anche tenere conto dei tempi in cui l'utensile è spento o è in funzione ma in effetti non viene impiegato per lavorare. Ciò potrebbe ridurre sensibilmente il livello di esposizione nell'intero arco di lavoro. Identificare ulteriori misure di sicurezza per proteggere l'operatore dagli effetti delle vibrazioni.

DISIMBALLO E ASSEMBLAGGIO

Eseguire un controllo per accertarsi che non si siano verificati danni all'utensile e agli accessori durante il trasporto. Se si rilevano danni, segnalarli immediatamente al rivenditore.

Rimuovere la maniglia ausiliaria dalla scatola e fissarla all'utensile. (Fig. A)

Assicurarsi che la vite di bloccaggio (18) sia sempre stretta a fondo.

CARATTERISTICHE DEL PRODOTTO E DISTINTA COMPONENTI

ITEM	Caratteristiche e componenti
1	Corpo Mini Carver/Mini Grinder Trade
2	Impugnatura ausiliaria
3	Interruttore ON/OFF
4	Controllo della velocità
5	Pulsante di blocco
6	Braccio di estensione
7	Mini-albero
8	Cuscinetti
9	Cappuccio del cuscinetto
10	Vite a testa piatta 4g
11	Piccola puleggia
12	Grande puleggia
13	Cinghia
14	Riparo
15	Vite a testa piatta 6g
16	Mini-lama Pro ¹
17	Rondella di bloccaggio
18	Vite di bloccaggio M5
19	Coperchio di estrazione polvere
20	Platorello
21	Carta vetrata
22	Boccola di serraggio
23	Vite a testa svasata
24	Disco da taglio diamantato ²
25	Mola abrasiva ²
26	Blocco mandrino - coperchio
27	balestra
28	Barra di bloccaggio
29	Pulsante di blocco

¹ Incluso con Mini Carver

² Incluso con Mini Grinder Trade

CARATTERISTICHE DEL PRODOTTO E DISTINTA COMPONENTI

Fig.A, Fig. B, Fig. C


STRUMENTI DI MONTAGGIO E ACCESSORI

⚠ AVVERTENZA: Per ridurre il rischio di gravi lesioni fisiche, spegnere l'utensile e scollegarlo dalla presa di corrente prima di eseguire qualsiasi regolazione o rimozione/installazione di utensili o accessori.

1. CAMBIO DEI DISCHI PER INTAGLIO E SMERIGLIATURA

Inserire un cacciavite piatto nel mini-albero (7) per impedirne la rotazione, quindi svitare la vite di bloccaggio (18) utilizzando la chiave a brugola fornita con l'utensile (fig. D). Sostituire la lama con altri prodotti consigliati da Arbortech, come mostrato negli schemi seguenti.

Ricollocare il disco sulla piccola puleggia assicurandosi che sia centrato correttamente e appoggiato sulla superficie della puleggia. Posizionare la rondella di bloccaggio (17) sul disco, quindi inserire e serrare la vite di bloccaggio (18) nell'ordine indicato (fig. E). Assicurarsi che le tacche siano visibili sul disco e che la freccia di rotazione sia rivolta nella stessa direzione della freccia visibile sul retro del riparo.

 **AVVERTENZA:** l'installazione non corretta dei dischi sulla puleggia può provocare gravi lesioni fisiche o danni all'utensile.

2. MONTAGGIO DEL PLATORELLO

Seguire i vari punti per rimuovere il disco indicato sopra (punto 1).

Per prima cosa posizionare la carta vetrata (21) sul platorello (20), quindi inserire la vite a testa svasata (23) nella boccia di serraggio (22) e inserirle insieme nel foro di centraggio del platorello. Quindi inserire il platorello sulla piccola puleggia (11) (fig. F) e serrare la vite sul mini-albero.

3. MONTAGGIO DEL COPERCHIO DI ESTRAZIONE POLVERE

Per inserire il coperchio di estrazione polvere, inserire prima le alette anteriori del coperchio (19) sotto le aperture del riparo, quindi spingere verso il basso l'estremità posteriore per far scattare i fermi sopra le alette laterali del braccio di estensione, come mostrato in fig. G. Inserire il tubo dell'aspirapolvere nel foro di estrazione polvere (fig. H). Il foro di estrazione polvere è adatto per tubi con Ø da 35 mm.

Per rimuovere il coperchio di estrazione polvere, sganciare il fermo del coperchio di estrazione lateralmente dal braccio di estensione e quindi estrarlo nella direzione opposta

AVVERTENZA:

- Per ridurre il rischio di lesioni fisiche, usare sempre l'estrazione polvere.
- Prevedere una sufficiente estrazione polvere quando si tagliano materiali edili.
- L'aspirapolvere deve essere omologato per polveri di materiali edili
- Usare una mascherina antipolvere.

- La macchina può essere utilizzata solo per tagli/smerigliature a secco.



AVVERTENZA: INDOSSARE SEMPRE INDUMENTI DI SICUREZZA ADEGUATI, INCL. PROTEZIONI PER LE ORECCHIE; GLI OCCHI E LE VIE RESPIRATORIE.

NON utilizzare in presenza di bagnato o di liquidi e gas infiammabili.

PRECAUZIONE: utilizzare dispositivi di protezione personale adeguati quando si lavora su materiali trattati con o contenenti sostanze tossiche e attenersi alle normative di sicurezza locali.

IMPIEGO

Usare sempre due mani per azionare il Mini Carver/Mini Grinder Trade posizionando la mano sinistra sulla maniglia ausiliaria e la destra sul corpo dell'utensile (fig. J)

Assicurarsi che la macchina sia in funzione PRIMA di toccare il materiale su cui lavorare. Per carteggiare, smerigliare o intagliare il legno, reggere il Mini Carver/Mini Grinder Trade come mostrato in fig. K

IMPUGNATURA DI TAGLIO

Usare la mini-lama industriale per tagliare o rimuovere legno e plastica.

Usare il mini-platorello per pulire e carteggiare legno, plastica, metallo, vernice e molto altro.

Usare la lama diamantata per tagliare intagliare qualsiasi materiale edile.

Utilizzare il disco per molatura per macinare il metallo.

INIZIARE A LAVORARE

Accertarsi che la tensione di alimentazione sia corretta! La tensione di alimentazione deve coincidere con la tensione specificata sulla targhetta della macchina. Anche gli utensili elettrici contrassegnati con 230-240 V possono essere utilizzati a 220 V.

MOSTRARE L'ANGOLO E LA DIREZIONE DEL TAGLIO

Un angolo di 25-30° è comodo per lavorare.

Utilizzare il bordo inferiore della lama (come mostrato nelle figg. L/M) e non come in fig. N.

ACCENSIONE E SPEGNIMENTO

Per accendere l'utensile elettrico, spingere in avanti l'interruttore On/Off 3.

Per bloccare l'interruttore On/Off 3, premerlo verso il basso nella parte anteriore finché non si blocca.

Per spegnere l'utensile elettrico, rilasciare l'interruttore On/Off 3 o, se è bloccato, premerlo brevemente verso il retro e rilasciarlo.

- Controllare gli utensili di carteggiatura prima dell'uso. Lo strumento di carteggiatura deve essere montato correttamente e in grado di muoversi liberamente.

Prima dell'uso, eseguire una prova della smerigliatrice senza carico. Non utilizzare utensili danneggiati, scenterati o vibranti.

PRECAUZIONE:

Protezione dal riavvio: la funzione di protezione dal riavvio impedisce il riavvio incontrollato della macchina dopo un'interruzione dell'alimentazione. Per riavviare la macchina, portare l'interruttore On/Off 3 in posizione Off e riavviare la macchina.

AVVERTENZA:


- **Leggere sempre le istruzioni sulla sicurezza e le norme applicabili**
- **Appoggiare e fissare il pezzo da lavorare per prevenire movimenti e non perdere il controllo.**
- **Non esercitare pressione o sottoporre a sforzi eccessivi la macchina fino ad arrestarla.**
- **Dopo aver sottoposto a un forte sforzo l'utensile elettrico, continuare a farlo funzionare a vuoto per diversi minuti in modo da raffreddare l'accessorio.**
- **Non toccare i dischi di smerigliatura o taglio prima che si raffreddino. I dischi si surriscaldano durante il lavoro.**

UTENSILE	IMPOSTAZIONE POTENZA	APPLICAZIONE
Mini-lama Pro ¹	5-6	Intaglio del legno
Disco diamantato ²	5-6	Smerigliatura di materiale edile
Disco di smerigliatura ²	5-6	Smerigliatura di metalli
Platorello	1-3	Carteggiatura di legno, metallo e altri materiali. Usare una velocità inferiore per carta vetrata a grana più fine

¹ Incluso con Mini Carver

² Incluso con Mini Grinder Trade

MANUTENZIONE

 **AVVERTENZA: SCOLLEGARE LA MACCHINA DALL'ALIMENTAZIONE PRIMA DI QUALSIASI INTERVENTO DI REGOLAZIONE, PULIZIA O LAVORO SULLA STESSA.**

PULIZIA DELLE GRIGLIE E DELL'INTERRUTTORE

Controllare regolarmente se sono entrati polvere o corpi estranei nelle griglie posizionate sulla parte anteriore e posteriore del motore (figg. O e P) o sotto l'interruttore On/Off (fig. A).

In caso affermativo, utilizzare una spazzola morbida per rimuovere la polvere accumulata, pulire le griglie e accendere.

TENSIONAMENTO O SOSTITUZIONE DELLA CINGHIA

Staccare il Mini Carver/Mini Grinder Trade dalla presa di corrente.

Rimuovere la lama e il coperchio di protezione (14), quindi sollevare la parte posteriore del coperchio di protezione e far scorrere indietro il coperchio e sollevare (Fig.Q). Svitare le 4 viti (10) (fig. R), fino a quando il cappello del cuscinetto (9) e il coperchio bloccamandrino (26) possono ruotare all'interno del braccio.

Ruotare insieme i componenti 9 e 26 in senso antiorario (Fig R) fino a quando le viti si allineano con la posizione del foro successivo nel braccio (Fig S). Questo farà muovere la piccola puleggia e creerà tensione nella cinghia. Assicurarsi che la cinghia sia posizionata correttamente sulle pulegge come mostrato in (Fig. T) e che la puleggia piccola sia completamente inserita nel mandrino.

Al termine del tensionamento serrare le viti. Quindi fissare il coperchio di protezione sul braccio e installare la lama.

NON TENDERE ECCESSIVAMENTE LA CINGHIA

Nota bene: pulire le zone limitrofe con un panno morbido o una spazzola piccola.

**Per gli accessori e i ricambi,
visitare il sito
www.arbortechtools.com**

*Il produttore si riserva il diritto di cambiare le specifiche senza alcun preavviso.

****Nota bene:** le specifiche possono differire da un paese all'altro.

NOTA BENE: Il messa in opera può risultare diverso da quello mostrato sulla scatola a seconda delle specifiche in vigore nel paese di destinazione.

ARBORTECH™

**ARBORTECH PTY LTD 67 WESTCHESTER ROAD
MALAGA 6090**

PERTH WESTERN AUSTRALIA
Tel: 08 9249 1944 Fax: 08 9249 2936

U.S.A. -Tollfree: 866-517-7869

U.S.A Office: 978-466-7945 U.S.A Fax: 866-515-8104

EUROPE: Tel: +49 2724-288301

Fax: +49 2724-205515

www.arbortechtools.com

Facebook: @arbortechtools

Email: arbortech@arbortech.com.au

PODSTAWOWE OSTRZEŻENIA DOTYCZĄCE PRACY Z ELEKTRONARZĘDZIAMI



**OSTRZEŻENIE -
PRZECZYTAĆ WSZYSTKIE
OSTRZEŻENIA DOTYCZĄCE
BEZPIECZEŃSTWA,
INSTRUKCJE, ILUSTRACJE
I DANE TECHNICZNE
DOSTARCZANE Z TYM
ELEKTRONARZĘDZIEM.**

Niezastosowanie się do wszystkich instrukcji wymienionych poniżej może spowodować porażenie prądem, pożar i/lub obrażenia ciała.

WSZYSTKIE OSTRZEŻENIA I INSTRUKCJE NALEŻY ZACHOWAĆ DO PRZYSZLEGO WYKORZYSTANIA

Termin „elektronarzędzia” w ostrzeżeniach odnosi się do narzędzi zasilanych z sieci elektrycznej (z kablem zasilającym) lub zasilanych z akumulatorów (bezprowodowych).

1) BEZPIECZEŃSTWO MIEJSCA PRACY

- a. **Miejsce pracy powinno być dobrze wentylowane, czyste i dobrze oświetlone.**
Nieporządek i nieoświetlone miejsca sprzyjają wypadkom.
- b. **Nie wolno obsługiwać elektronarzędzi w atmosferze wybuchowej, np. w obecności cieczy palnych, gazów lub pyłów.**
Elektronarzędzia generują iskry, które mogą zapalić pył lub opary.
- c. **Podczas pracy dzieci i osoby postronne nie mogą się znajdować w pobliżu elektronarzędzia.**
Chwila nieuwagi może spowodować utratę kontroli nad narzędziem.

2) BEZPIECZEŃSTWO ELEKTRYCZNE

- a. **Wtyczki elektronarzędzi muszą pasować do gniazd elektrycznych. W żaden sposób nie wolno modyfikować wtyczek. Nie używać wtyczek adapterowych z elektronarzędziami uzziemionymi.** Niezmodyfikowane wtyczki i pasujące gniazda zmniejszają ryzyko porażenia prądem elektrycznym.
- b. **Unikać kontaktu ciała z uzziemionymi powierzchniami, takimi jak rury, grzejniki, urządzenia kuchenne i chłodnie.** Ryzyko porażenia prądem elektrycznym zwiększa się, gdy ciało jest uzziemione.

- c. **Nie narażać elektronarzędzi na deszcz i wilgoć.**
Woda, która przedostanie się do elektronarzędzia, zwiększa ryzyko porażenia prądem.
- d. **Nie nadwyřęzać przewodu. Nigdy nie przenosić ani nie ciągnąć elektronarzędzia za przewód ani nie wyciągać wtyczki, pociągając za przewód. Przewód należy trzymać z dala od źródeł ciepła, oleju, ostrych krawędzi i ruchomych części.**
Uszkodzone lub splątane przewody zwiększają ryzyko porażenia prądem.
- e. **Podczas korzystania z elektronarzędzi na zewnątrz należy korzystać z przedłużacza przeznaczanego do użytku zewnętrznego.**
Stosowanie przewodu odpowiedniego do użytku zewnętrznego zmniejsza ryzyko porażenia prądem.
- f. **Jeśli nieuniknione jest korzystanie z elektronarzędzi w miejscach wilgotnych, należy zastosować wyłącznik różnicowoprądowy (RCD) zabezpieczający zasilanie.** Zastosowanie RCD zmniejsza ryzyko porażenia prądem.

3) BEZPIECZEŃSTWO OSÓB

- a. **Podczas obsługi elektronarzędzi należy zachować ostrożność, zwracać uwagę na wykonywane czynności i kierować się zdrowym rozsądkiem. Nie używać elektronarzędzi, gdy jest się zmęczonym lub pod wpływem narkotyków, alkoholu lub leków.** Chwila nieuwagi podczas obsługi elektronarzędzi może skutkować obrażeniami ciała.
- b. **Używać odpowiedniego sprzętu ochrony osobistej. Zawsze stosować ochronę wzroku.** Sprzęt ochronny, taki jak maski przeciwpyłowe, antypoślizgowe obuwie ochronne, kask lub ochrona słuchu używane w wymagających tego warunkach zmniejszają ryzyko obrażeń.
- c. **Zabezpieczyć przed przypadkowym uruchomieniem. Przed podłączeniem do zasilania sieciowego lub akumulatora, podniesieniem lub przenoszeniem sprawdzić, czy wyłącznik znajduje się w pozycji WYŁ.**
Przeniesienie elektronarzędzi z palcem znajdującym się na wyłączniku lub podłączenie zasilania przy włączonym wyłączniku może być przyczyną wypadku.
- d. **Przed włączeniem zasilania elektronarzędzia należy usunąć wszelkie klucze regulacyjne.** Klucz pozostawiony w obracającej się części elektronarzędzia może spowodować obrażenia ciała.
- e. **Nie pochylać się zbyt do przodu. Zawsze należy pamiętać o prawidłowym podparciu nóg i zachowaniu równowagi.** Ułatwia to kontrolowanie elektronarzędzia podczas niespodziewanych sytuacji.

- f. **Nosić odpowiedni ubiór. Nie zakładać luźnych ubrań ani biżuterii. Trzymać włosy, ubranie i rękawice z dala od ruchomych części.** Luźne ubrania, biżuteria lub długie włosy mogą zostać pochwycone przez ruchome części.
- g. **Jeśli urządzenia są dostosowane do połączenia z osprzętem do usuwania i zbierania pyłu, należy sprawdzić, czy są one podłączone i prawidłowo używane.** Zastosowanie systemu zbierania pyłu może zmniejszyć ilość niebezpiecznego pyłu.
- h. **Nie wolno dopuścić, aby rutyna wynikająca z częstego używania narzędzi była przyczyną ignorowania zasad bezpieczeństwa.** Niedbałe wykonywanie czynności może być przyczyną poważnych obrażeń ciała w ułamku sekundy.
- g. **Elektronarzędzi, akcesoriów, bitów itp. należy używać zgodnie z niniejszą instrukcją, mając na uwadze warunki pracy oraz wykonywane zadanie.** Używanie elektronarzędzi do innych prac niż te, do których zostały przewidziane, może doprowadzić do niebezpiecznych sytuacji.
- h. **Rękojeści i powierzchnie chwytne muszą być suche, czyste i wolne od olejów i smarów.** Śliskie rękojeści i powierzchnie chwytne utrudniają bezpieczną obsługę i kontrolę narzędzia w przypadku wystąpienia nieprzewidzianych sytuacji.

5) OBSŁUGA SERWISOWA

- a. **Elektronarzędzia muszą być serwisowane przez wykwalifikowany personel używający wyłącznie takich samych części zamiennych.. Zapewni to zachowanie bezpieczeństwa elektronarzędzi.**



OSTRZEŻENIA DOTYCZĄCE BEZPIECZEŃSTWA PODCZAS PRACY Z MINIWYRZYKARKĄ

OSTRZEŻENIA DOTYCZĄCE BEZPIECZEŃSTWA WSPÓLNE DLA OPERACJI TAKICH JAK SZLIFOWANIE ŚCIERNICĄ, PAPIEREM ŚCIERNYM LUB RZEŻBIENIE W DREWNIĘ:

4) OBSŁUGA I DBAŁOŚĆ O ELEKTRONARZĘDZIA

- a. **Nie przykładaj nadmiernej siły do elektronarzędzia. Używaj narzędzi właściwych dla zadania.** Odpowiednie elektronarzędzie umożliwi dokładniejsze i bezpieczniejsze wykonanie zadania w przewidzianym tempie.
- b. **Nie używaj narzędzia, jeśli wyłącznik nie działa poprawnie.** Elektronarzędzia, które nie mogą być sterowane wyłącznikiem, stanowią zagrożenie i muszą zostać naprawione.
- c. **Przed przystąpieniem do regulacji, wymiany akcesoriów lub magazynowania elektronarzędzia należy odłączyć wtyczkę od źródła zasilania lub akumulatora.** Takie prewencyjne środki bezpieczeństwa zmniejszają ryzyko przypadkowego uruchomienia narzędzia.
- d. **Nie używane narzędzia należy przechowywać poza zasięgiem dzieci i nie należy dopuścić, aby osoby niezaznajomione z ich obsługą lub tymi instrukcjami używały elektronarzędzi.** Elektronarzędzia są niebezpieczne w rękach nieprzeszkolonych użytkowników.
- e. **Należy dbać o regularną konserwację narzędzi i akcesoriów. Sprawdzić pod kątem prawidłowego ustawienia i umocowania części ruchomych, pęknięć elementów oraz innych czynników, które mogą mieć wpływ na korzystanie z urządzenia. W przypadku uszkodzeń należy przed użyciem naprawić elektronarzędzie.** Wiele wypadków wynika z nieprawidłowej konserwacji elektronarzędzi.
- f. **Narzędzia tnące muszą być naostrzone i czyste.** Prawidłowo konserwowane narzędzia tnące z ostrymi krawędziami mają mniejsze prawdopodobieństwo zakleszczenia się i ich kontrola jest łatwiejsza.

- a. Elektronarzędzie jest przeznaczone do użytku jako szlifierka lub narzędzie do rzeźbienia w drewnie. Przeczytać wszystkie ostrzeżenia dotyczące bezpieczeństwa, instrukcje, ilustracje i specyfikacje dostarczane z tym elektronarzędziem. Niezastosowanie się do wszystkich instrukcji wymienionych poniżej może spowodować porażenie prądem, pożar i/lub poważne obrażenia ciała.
- b. **Nie zaleca się używania tego narzędzia do wykonywania takich prac, jak szlifowanie/ czyszczenie powierzchni lub odcinanie.** Prace, dla których elektronarzędzie nie zostało przewidziane, mogą stanowić zagrożenie i być przyczyną obrażeń ciała.
- c. **Nie używać akcesoriów, które nie są specjalnie przeznaczone i zalecane przez producenta.** To, że jakieś akcesoria mogą być podłączone do elektronarzędzia, nie gwarantuje bezpiecznej obsługi.
- d. **Prędkość znamionowa akcesoriów musi być co najmniej taka sama jak prędkość maksymalna zaznaczona na narzędziu.** Akcesoria pracujące szybciej niż ich prędkość znamionowa mogą się złamać i rozpaść.

- e. **Średnica zewnętrzna i grubość akcesoriów musi mieścić się w zakresie wydajności elektronarzędzia.** Nieprawidłowy rozmiar akcesoriów nie pozwala na ich właściwą osłonę i kontrolę.
- f. **Obsada akcesoriów gwintowanych musi zgadzać się z gwintem wrzeciona szlifierki. W przypadku akcesoriów montowanych przy użyciu kołnierzy otwór wewnętrzny akcesorium musi pasować do średnicy bazującej kołnierza.** Akcesoria, które nie pasują do osprzętu montażowego elektronarzędzia, tracą wyważenie, nadmiernie drgają i mogą być przyczyną utraty kontroli.
- g. **Nie używać uszkodzonych akcesoriów. Przed każdym użyciem należy sprawdzić akcesoria takie jak: tarcze ścierne pod kątem wyszczerbień i pęknięć, krążki szlifierskie pod kątem pęknięć, rozdarć lub nadmiernego zużycia. Jeśli elektronarzędzie lub akcesorium zostanie upuszczone, należy sprawdzić je pod kątem uszkodzeń lub zamontować nieszkodzone akcesorium. Po kontroli i montażu szczotki drucianej należy sprawdzić ją pod kątem poluzowanych lub pękniętych drutów. Jeśli elektronarzędzie lub akcesorium zostanie upuszczone, należy sprawdzić je pod kątem uszkodzeń lub zamontować nieszkodzone akcesorium. Po sprawdzeniu i zamontowaniu akcesorium należy stanąć (oraz polecić to samo osobom w pobliżu) z dala od obracającego się akcesorium i włączyć elektronarzędzie na jedną minutę z maksymalną prędkością bez obciążenia. Podczas trwania tego testu uszkodzone akcesoria powinny się rozpaść.**
- h. **Używać sprzętu ochrony osobistej. W zależności od zastosowania należy używać osłon twarzy, okularów ochronnych lub gogli. Jeśli to konieczne, należy założyć maskę przeciwpyłową, osłonę uszu, rękawice i fartuch roboczy, który będzie chronił przed małymi drobinami materiału ściernego lub fragmentami obrabianego przedmiotu.** Ochrona uszu musi mieć możliwość zatrzymywania znajdujących się w powietrzu odpadów generowanych podczas prac. Maską przeciwpyłową lub aparat oddechowy musi mieć możliwość filtracji cząstek generowanych podczas prac. Długotrwałe narażenie na duży hałas może być przyczyną utraty słuchu.
- i. **Osoby postronne muszą znajdować się w bezpiecznej odległości od miejsca pracy. Każdy, kto wchodzi do obszaru pracy, musi założyć sprzęt ochrony osobistej.** Fragmenty obrabianego przedmiotu lub pękniętych akcesoriów mogą się znaleźć w powietrzu i być przyczyną obrażeń ciała osób znajdujących się poza bezpośrednim obszarem prac.
- j. **Podczas wykonywania prac, przy których narzędzie tnące mogłoby natrafić na ukryte przewody elektryczne lub własny przewód zasilający, należy je trzymać wyłącznie za izolowaną powierzchnię uchwytu.** Akcesoria tnące dotykające przewodu pod napięciem mogą spowodować przepływ napięcia przez metalowe części elektronarzędzia i porażenie operatora.
- k. **Przewód zasilający należy trzymać w bezpiecznej odległości od obracającego się akcesorium.** W przypadku utraty kontroli nad narzędziem przewód może zostać przecięty lub zahaczony, a ręka pociągnięta w stronę obracającego się akcesorium.
- l. **Nigdy nie odkładać elektronarzędzia, dopóki akcesorium zupełnie się nie zatrzyma.** Obracające się akcesorium może „pochwyć” powierzchnię, a w konsekwencji spowodować utratę kontroli nad narzędziem.
- m. **Nie uruchamiać elektronarzędzia, niosąc je przy sobie.** Przypadkowy kontakt z obracającym się akcesorium może być przyczyną zahaczenia o ubranie i przyciągnięcie narzędzia do ciała.
- n. **Należy regularnie czyścić otwory wentylacyjne narzędzia.** Wentylator silnika zaciągają pył do wnętrza obudowy, a nadmierna akumulacja sproszkowanego metalu może być przyczyną zagrożenia elektrycznego.
- o. **Nie używać elektronarzędzia w pobliżu materiałów łatwopalnych.** Iskry mogą spowodować zapalenie tych materiałów.
- p. **Nie używać akcesoriów wymagających chłodziw płynnych.** Woda lub inne chłodziwa płynne mogą być przyczyną porażenia prądem elektrycznym.

SZYBKI RUCH POWROTNY (ODRZUT) I OSTRZEŻENIA Z NIM ZWIĄZANE

Szybki ruch powrotny (odrzut) to nagła reakcja na zablokowanie lub zahaczenie obracającej się tarczy, tarczy ścierniej, szczotki lub innych akcesoriów. Zablokowanie lub zahaczenie powoduje gwałtowne zatrzymanie obracającego się akcesorium, które pociąga w niekontrolowany sposób narzędzie w kierunku przeciwnym do obrotów akcesorium w momencie zacięcia. Na przykład, jeśli tarcza ścierna zostanie zahaczona lub zablokowana przez obrabiany przedmiot, krawędź tarczy, która znajduje się w punkcie zablokowania, może zagłębić się w powierzchnię materiału i spowodować podbicie lub odrzucenie. Tarcza może podskoczyć w stronę operatora lub od operatora, w zależności od kierunku ruchu tarczy w momencie zablokowania. W takiej sytuacji tarcze ścierne mogą również pęknąć. Odrzut jest wynikiem nieprawidłowego używania elektronarzędzia i/lub nieprawidłowej procedury pracy bądź niewłaściwych warunków i można go uniknąć, stosując się do poniższych środków ostrożności.

- a. **Elektronarzędzie należy trzymać pewnie, a ciała i ramiona muszą być ustawione tak, aby oprzeć się sile odrzutu. Należy zawsze używać uchwytu pomocniczego (jeśli jest) w celu zmaksymalizowania kontroli nad szybkim ruchem powrotnym lub momentem obrotowym podczas uruchomienia.** Operator może kontrolować reakcje momentu obrotowego lub siłę szybkiego ruchu powrotnego, jeśli stosuje się do właściwych środków ostrożności.
- b. **Elektronarzędzie należy trzymać pewnie, a ciała i ramiona muszą być ustawione tak, aby oprzeć się sile odrzutu. Należy zawsze używać uchwytu pomocniczego (jeśli jest) w celu zmaksymalizowania kontroli nad szybkim ruchem powrotnym lub momentem obrotowym podczas uruchomienia. Operator może kontrolować reakcje momentu obrotowego lub siłę szybkiego ruchu powrotnego, jeśli stosuje się do właściwych środków ostrożności.**
- c. **Nie zbliżać części ciała do obszaru, w którym elektronarzędzie może wykonać ruch w przypadku szybkiego ruchu powrotnego.** Szybki ruch powrotny pociągnie narzędzie w kierunku przeciwnym do obrotów tarczy w momencie zahaczenia.
- d. **Należy szczególnie uważać przy obróbce narożników, ostrych krawędzi itp. Unikać odbijania i zahaczania akcesoriów.** Narożniki, ostre krawędzie oraz odbicia mogą powodować zahaczania obracających się akcesoriów i utratę kontroli lub szybkiego ruchu powrotnego.
- e. **Nie mocować ostrza piły łańcuchowej do wycinania w drewnie lub zębatego ostrza piły.** Tego typu ostrza mogą często powodować odrzut i utratę kontroli.

OSTRZEŻENIA DOTYCZĄCE BEZPIECZEŃSTWA PODCZAS SZLIFOWANIA:

- a. **Używać tylko takich typów tarcz, które są zalecane do określonego elektronarzędzia, oraz właściwych osłon przeznaczonych do tych tarcz.** Tarcze nieprzeznaczone do elektronarzędzia nie mogą być właściwie osłaniane i są niebezpieczne.
- b. **Powierzchnia szlifująca tarczy z obniżonym środkiem musi znajdować się poniżej płaszczyny wargi osłony.** Nieprawidłowo zamontowana tarcza, które wystaje poza powierzchnię wargi osłony, nie będzie właściwie osłaniana.
- c. **Osłona musi być dobrze zamontowana do elektronarzędzia i ustawiona tak, aby zapewnić jak największe bezpieczeństwo – tak żeby jak najmniejsza część tarczy wystawała w kierunku**

operatora. Osłona pomaga chronić operatora przed odłamkami tarczy, przypadkowym kontaktem z tarczą i iskrami, które mogą zapalić odzież.

- d. **Tarcze mogą być używane tylko do zalecanych zastosowań. Na przykład: nie szlifować stroną ściernicą do cięcia.** Ściernice do cięcia są przeznaczone do ścierania obrzeżnego; siły boczne przyłożone do tych tarcz mogą spowodować ich zniszczenie.
- e. **Zawsze należy stosować nieuszkodzone kołnierze tarcz o odpowiednim rozmiarze i kształcie do wybranych tarcz.** Właściwe kołnierze kół podpierają tarczę, redukując możliwość jej uszkodzenia. Kołnierze ściernic do cięcia mogą różnić się od kołnierzy tarcz ściernych.
- f. **Nie stosować zużytych tarcz z większych elektronarzędzi.** Tarcze przeznaczone do większych elektronarzędzi nie są odpowiednie do mniejszych narzędzi o wysokich prędkościach.

DODATKOWE OSTRZEŻENIA DOTYCZĄCE BEZPIECZEŃSTWA PODCZAS SZLIFOWANIA:

- a. **Nie używać tarcz z papierem ściernym o zbyt dużych rozmiarach. Podczas wyboru papieru ściernego postępować zgodnie z zaleceniami producenta.** Papier ścierny o większych rozmiarach wystający poza koło szlifierskie może zostać poszarpany i spowodować zahaczenie, rozdarcie tarczy lub odrzut.
- b. **Dostosować prędkość urządzenia zgodnie z zaleceniami dotyczącymi szlifowania papierem ściernym.** Szlifowanie papierem ściernym z dużą prędkością stwarza niebezpieczeństwo urazów ciętych i oparzeń.

DODATKOWE OSTRZEŻENIA DOTYCZĄCE BEZPIECZEŃSTWA



Nosić ochronniki słuchu; nosić środki ochrony oczu; nosić maskę przeciwpyłową; nosić rękawice ochronne.

- a. **Użyć odpowiednich detektorów do określenia, czy w obszarze roboczym znajdują się ukryte instalacje, lub skontaktować się z lokalnym dostawcą mediów.** Kontakt z przewodami elektrycznymi może doprowadzić do pożaru i porażenia prądem elektrycznym. Uszkodzenie instalacji gazowej może doprowadzić do

wybuchu. Naruszenie instalacji wodnej powoduje uszkodzenia mienia lub może spowodować porażenie prądem elektrycznym.

- b. Gdy zasilanie elektryczne zostanie przerwane, np. w razie awarii zasilania lub wyciągnięcia wtyku, zwolnić wyłącznik i ustawić go w pozycji wyłączonej.
- c. Nie dotykać tarczy do szlifowania i cięcia, dopóki nie ostygną. Tarcze mogą się bardzo nagrzewać podczas pracy.
- d. Zamocować przedmiot obrabiany. Przedmiot obrabiany zamocowany za pomocą urządzenia zaciskowego lub w imadle jest utrzymywany bardziej bezpiecznie niż w ręce.

ZAPOZNANIE Z NARZĘDZIEM

OPIS NARZĘDZIA I DANE TECHNICZNE



Przeczytać wszystkie instrukcje i wszystkie ostrzeżenia dotyczące bezpieczeństwa. Niezastosowanie się do ostrzeżeń i instrukcji może spowodować porażenie prądem elektrycznym, pożar i/lub poważne obrażenia ciała.

Deklaracja zgodności CE:

Arbortech oświadcza, że produkt MIN.FG.900.60 i MIN.FG.910.60 opisany w tym podręczniku w „Danych technicznych” jest wykonany zgodnie z normą EN 60745, EMC 2014/30/EU and RoHS 2011/65/EU dyrektywy.

Dokumentacja techniczna jest zgodna z dyrektywą maszynową 2006/42/WE i dostępna pod adresem: Arbortech PTY LTD | 67 Westchester Road, Malaga, WA 6090

Sven Blicks

Dyrektor Generalny

PRZEZNACZENIE

Urządzenie Mini Carver/Mini Grinder Trade jest przeznaczone do szlifowania ściernicą, rzeźbienia i szlifowania papierem ściernym metalu, kamienia i drewna bez użycia wody.

Uwaga: Tekst, schematy i dane były poprawne w czasie drukowania. Z uwagi na ciągłe doskonalenie naszych produktów dane techniczne mogą ulec zmianie bez wcześniejszego powiadomienia.

Podczas obróbki materiałów, które powodują zapylenie, używać akcesoriów do odciążania pyłu.

Moc	230	V
Moc znamionowa	1000	W
Częstotliwość	50	Hz
Stopień ochrony	II	II
Prędkość znamionowa	6000-19500	Rpm
Średnica narzędzia	54	mm
Rozmiar otworu montażowego	9.5	mm
Rozmiar śruby montażowej	M5	mm
Masa	2.35	kg
Emisja drgań (k=1,5)	7.31	m/sec ²
Emisja hałasu (k=3,0)	96	dB(A)



OSTRZEŻENIE: Deklarowany poziom emisji drgań odnosi się do głównych zastosowań narzędzia. Jeżeli narzędzie jest używane do innych zastosowań, z innymi akcesoriami lub narzędziami montażowymi bądź niedostatecznie konserwowane, poziom emisji drgań może się różnić. Może to znacznie zwiększyć poziom ekspozycji w całym okresie pracy.

Szacunkowa ocena poziomu narażenia na drgania powinna również uwzględniać sytuację, gdy narzędzie jest wyłączone lub gdy jest ono uruchomione, ale obróbka nie jest wykonywana. Może to znacznie zmniejszyć poziom ekspozycji w całym okresie pracy. Podjąć dodatkowe środki bezpieczeństwa służące do ochrony operatora przed skutkami drgań.

ROZPAKOWYWANIE I MONTAŻ

Upewnić się, że podczas transportu nie doszło do uszkodzenia narzędzia i akcesoriów. W razie stwierdzenia uszkodzeń niezwłocznie powiadomić sprzedawcę.

Wyjąć rękojeść dodatkową z opakowania i zamontować na narzędziu. (II. A)

Przed użyciem zawsze upewniać się, że śruba zaciskowa (18) jest całkowicie dokręcona.

FUNKCJE PRODUKTU I WYKAZ KOMPONENTÓW

ITEM	Funkcje i komponenty
1	Korpus Mini Carver/Mini Grinder Trade
2	Rękojeść dodatkowa
3	Wyłącznik
4	Regulator prędkości
5	Przycisk blokady napędu
6	Ramię wysięgnikowe
7	Miniwał
8	Łożyska
9	Pokrywa łożyska
10	Śruby z łbem stożkowym 4g
11	Małe koło pasowe
12	Duże koło pasowe
13	Pas
14	Pokrywa ochronna
15	Śruby z łbem stożkowym 6g
16	Mini Pro ²
17	Podkładka zaciskowa
18	Śruba zaciskowa M5
19	Pokrywa odciągu pyłu
20	Talerz szlifierski
21	Papier ścierny
22	Tuleja zaciskowa
23	Śruba z łbem wpuszczanym
24	Diamentowa tarcza do cięcia ²
25	Ściernica ²
26	Blokada wrzeciona - osłona
27	Sprężyna listwiowa
28	Pasek blokujący
29	Przycisk blokujący


¹ Zawarte z Mini Carver

² Zawarte z Mini Grinder Trade

FUNKCJE PRODUKTU I WYKAZ KOMPONENTÓW

il. A, il. B, il. C

NARZĘDZIA MONTAŻOWE I AKCESORIA


 **OSTRZEŻENIE:** Aby zmniejszyć ryzyko poważnych obrażeń, przed wprowadzeniem jakichkolwiek zmian lub przystąpieniem do usunięcia/mocowania narzędzia lub akcesoriów wyłączmy narzędzie i odłączmy od źródła zasilania.

1. WYMIANA TARCZY DO RZĘBIENIA I ŚCIERNIC

Włóż płaski śrubokręt do miniwału (7), aby zapobiec obrotowi, a następnie usunąć śrubę zaciskową (18) przy użyciu klucza imbusowego dostarczonego razem z narzędziem (il. D). Wymień ostrze na inne produkty zalecane przez Arbortech zgodnie z poniższymi ilustracjami.

Umieścić nową tarczę na małym kole pasowym, upewniając się, że jest ona poprawnie wyśrodkowana i przylega płasko do powierzchni koła pasowego.

Umieścić podkładkę zaciskową (17) na tarczy, a następnie włożyć i dokręcić śrubę zaciskową (18) w przedstawionej kolejności (il. E). Upewnij się, że oznaczenia na tarczy są widoczne i strzałka kierunku obrotu jest zwrócona w tym samym kierunku co strzałka z tyłu pokrywy ochronnej.

 **OSTRZEŻENIE:** Nieprawidłowo zamontowane tarcze na kole pasowym mogą spowodować ciężkie obrażenia ciała lub uszkodzenie urządzenia.

2. MONTAŻ TALERZA SZLIFIERSKIEGO

Wykonać podane czynności, aby zdemontować opisany wyżej talerz szlifierski (czynność 1).

Najpierw umieścić papier ścierny (21) na talerzu szlifierskim (20), a następnie włożyć śruby z łbem stożkowym (23) do tulei zaciskowej (22) i razem włożyć je do środkowego otworu w talerzu szlifierskim. Następnie umieścić talerz szlifierski na małym kole pasowym (11) (il. F) i dokręcić śrubę na miniwale.


3. MONTAŻ ODCIĄGU PYŁU

Aby zamontować odciąg pyłu, należy najpierw włożyć przednie uchwyty pokrywy odciągu pyłu (19) pod wycięcia pokrywy ochronnej, a następnie wcisnąć tylną końcówkę, aby zablokować zatrzaski na bocznych uchwytach ramienia wysięgnikowego zgodnie z ilustracją G. Zamontować wąż odkurzacza w otworze odciągu pyłu (il. H). Do odciągu pyłu pasuje wąż o rozmiarze średnicy Ø35 mm.

Aby zdjąć pokrywę odciągu pyłu, należy pociągnąć zatrzask odciągu pyłu na bok od ramienia wysięgnikowego i wyciągnąć w przeciwnym kierunku.

OSTRZEŻENIE:

- Aby zmniejszyć ryzyko obrażeń ciała, zawsze używać odciągu pyłu.
- Zapewnić wystarczający odciąg pyłu podczas cięcia materiałów murarskich.
- Odkurzacz musi być zatwierdzony do odsysania pyłu murarskiego.
- Nosić maski oddechowe przeciwpyłowe.
- Urządzenie może być używane tylko do cięcia i szlifowania na sucho.

 **OSTRZEŻENIE: ZAWSZE NOSIĆ ODPOWIEDNIĄ ODZIEŻ ZABEZPIECZAJĄCĄ, ŁĄCZNIE ZE ŚRODKAMI OCHRONY SŁUCHU, OCZU I UKŁADU ODDECHOWEGO.**

NIE UŻYWAĆ w warunkach mokrych ani w obecności łatwopalnych cieczy i gazów.

OSTROŻNIE: Podczas pracy przy materiałach poddanych obróbce przy użyciu substancji toksycznych lub zawierających substancje toksyczne stosować odpowiednie środki ochrony indywidualnej i przestrzegać lokalnych przepisów bezpieczeństwa.

EKSPLOATACJA

Do obsługi urządzenia Mini Carver/Mini Grinder Trade zawsze używać dwóch rąk, umieszczając lewą rękę na rękojeści dodatkowej, a prawą rękę na korpusie narzędzia (il. J).

Upewnić się, że urządzenie jest uruchomione PRZED zetknięciem z materiałem przeznaczonym do obróbki. Podczas szlifowania papierem ściernym, ściernicą lub rzeźbienia w drewnie trzymać urządzenie Mini Carver/Mini Grinder Trade w sposób przedstawiony na il. K.

UCHWYT DO CIĘCIA

Używać miniostrza przemysłowego do cięcia lub usuwania drewna i tworzyw sztucznych.

Używać minitalerzy szlifierskich do czyszczenia i szlifowania drewna, tworzyw sztucznych, metalu, powierzchni lakierowanych i innych.

Używać tarczy diamentowej do cięcia i frezowania w materiałach murarskich.

Użyj tarczy szlifierskiej do szlifowania metalu.

ROZPOCZĘCIE PRACY

Przestrzegać prawidłowego napięcia zasilającego! Napięcie źródła zasilania musi być zgodne z napięciem podanym na tabliczce znamionowej urządzenia. Elektronarzędzia z oznaczeniem 230-240 V mogą być również zasilane napięciem 220 V.

WYZNACZANIE KĄTA I KIERUNKU CIĘCIA

Wygodny kąt obróbki to 25-30°.

Używać dolnej krawędzi ostrza (zgodnie z il. L / M), a nie jak na il.N.

WŁĄCZANIE I WYŁĄCZANIE

Aby uruchomić elektronarzędzie, przestawić wyłącznik 3 do przodu.

Aby zablokować wyłącznik 3, nacisnąć przednią część wyłącznika 3, aż się zatrzaśnie.

Aby wyłączyć elektronarzędzie, zwolnić wyłącznik 3, a jeśli jest zablokowany – krótko nacisnąć tył wyłącznika 3, a następnie go zwolnić.

- Przed użyciem sprawdzić narzędzia szlifierskie. Narzędzie szlifierskie musi być prawidłowo zamontowane i poruszać się swobodnie.

Przed użyciem przetestować pracę szlifierki bez obciążenia. Nie używać uszkodzonych, zdeformowanych lub wibrujących narzędzi.



OSTROŻNIE:

Zabezpieczenie przed ponownym uruchomieniem – funkcja zabezpieczenia przed ponownym uruchomieniem zapobiega niekontrolowanemu ponownemu uruchomieniu urządzenia po awarii zasilania. Aby wznowić działanie, przelać wyłącznik 3 do położenia wyłączonego i ponownie uruchomić urządzenie.



OSTRZEŻENIE:

- **Zawsze należy zapoznać się z instrukcjami bezpieczeństwa i odpowiednimi przepisami.**
- **Zamocować i zabezpieczyć przedmiot obrabiany, aby zapobiec jego poruszaniu i utracie kontroli.**
- **Nie wywierać zbyt dużego nacisku na urządzenie ani nie przeciążać urządzenia, aby nie doszło do jego zatrzymania.**
- **Po poddaniu elektronarzędzia dużym obciążeniem przez kilka minut kontynuować pracę bez obciążenia aż do ostygnięcia akcesoriów.**
- **Nie dotykać tarczy do szlifowania i cięcia zanim nie ostygną. Tarcze mogą się bardzo nagrzewać podczas pracy.**

NARZĘDZIE	USTAWIENIE MOCY	ZASTOSOWANIE
Mini Pro ¹	5-6	Rzeźbienie w drewnie
Tarcza diamentowa ²	5-6	Szlifowanie materiałów murarskich
Tarcza szlifierska ²	5-6	Szlifowanie metalu
Talerz szlifierski	1-3	Szlifowanie papierem ściernym drewna, metalu i innych materiałów. Podczas używania papieru ściernego o większej ziarnistości stosować mniejszą prędkość.

¹ Zawarte z Mini Carver

² Zawarte z Mini Grinder Trade

KONSERWACJA



OSTRZEŻENIE: PRZED PRZYSTĄPIENIEM DO REGULACJI, CZYSZCZENIA LUB PRACY PRZY URZĄDZENIU NALEŻY ODŁĄCZYĆ URZĄDZENIE OD ŹRÓDŁA ZASILANIA.

CZYSZCZENIE KRATEK I PRZEŁĄCZNIKA

Należy regularnie sprawdzać, czy na kratkach umieszczonych z przodu i tyłu silnika (il. O i P) lub pod wyłącznikiem (il. A) nie zbierają się pył lub ciała obce.

Jeśli występują nagromadzenia pyłu lub ciał obcych, użyć miękkiej szczotki do ich usunięcia i wyczyszczenia kratki i przełącznika.

NAPINANIE LUB WYMIANA PASA

Odłączyć urządzenie Mini Carver/Mini Grinder Trade od zasilania.

Zdejmij ostrze i osłonę osłony (14), a następnie podnieś tylną stronę osłony osłony, przesunij osłonę do tyłu i zdejmij (rys.Q). Odkręć 4 śruby (10) (rys. R), aż pokrywa łożyska (9) i osłona blokady wrzeczona (26) będą mogły się obracać wewnątrz ramienia.

Obróć elementy 9 i 26 razem w kierunku przeciwnym do ruchu wskazówek zegara (Rys. R), aż śruby zrównają się z następnym otworem w ramieniu (Rys. S). Spowoduje to ruch małego koła pasowego i naprężenie paska. Upewnij się, że pasek jest prawidłowo umieszczony na kołach pasowych, jak pokazano na (Rys. T), a małe koło pasowe jest całkowicie wsunięte na trzpień.

Po zakończeniu napinania dokręć śruby. Następnie przymocuj osłonę na ramieniu i zamontuj ostrze.

NIE NAPRĘŻAĆ PASA NADMIERNIE

Uwaga: czyścić otoczenie miękką szmatką lub szczoteczką.

Akcesoria i części zamienne są dostępne na stronie:

www.arbortechtools.com

* Producent zastrzega sobie prawo do zmiany danych technicznych bez powiadomienia.

** **Uwaga:** Dane techniczne mogą różnić się w zależności od kraju.

UWAGA: Silnik może różnić się od przedstawionego na opakowaniu w zależności od danych technicznych wymaganych w danym kraju.

ARBORTECH™

**ARBORTECH PTY LTD 67 WESTCHESTER ROAD
MALAGA 6090**

PERTH WESTERN AUSTRALIA

Tel: 08 9249 1944 Fax: 08 9249 2936

U.S.A. -Tollfree: 866-517-7869

U.S.A Office: 978-466-7945 U.S.A Fax: 866-515-8104

EUROPE: Tel: +49 2724-288301

Fax: +49 2724-205515

www.arbortechtools.com

Facebook: @arbortechtools

Email: arbortech@arbortech.com.au

SPLOŠNA VARNOSTNA OPOZORILA ZA ELEKTRIČNO ORODJE



**OPOZORILO – PREBERITE
VSA VARNOSTNA
OPOZORILA, NAVODILA,
ILUSTRACIJE IN
SPECIFIKACIJE, KI SO
PRILOŽENE ELEKTRIČNEMU
ORODJU.**

Neupoštevanje vseh spodaj navedenih navodil lahko povzroči električni udar, požar in/ali telesne poškodbe.

VSA OPOZORILA IN NAVODILA SHRANITE ZA NADALJNJO UPORABO

Izraz »električno orodje« v opozorilih se nanaša na vaše električno orodje (povezano z električnim kablom), ki je napajano iz električnega omrežja, ali na električno orodje z baterijo (brez kabla).

1) VARNOST V DELOVNEM PROSTORU

- Delovni prostor naj bo dobro prezračen, čist in dobro osvetljen.** Nepospravljene ali slabo osvetljene delovne prostore povečujejo verjetnost nesreče.
- Električnih orodij ne uporabljajte v eksplozivnih atmosferah, npr. v prisotnosti vnetljivih teko in, plinov ali prahu.** Električna orodja lahko povzročijo iskre, zaradi katerih se lahko vnamejo prah ali hlapi.
- Med uporabo električne naprave naj se otroci in druge osebe ne približujejo.** Zaradi motenj ob delu lahko izgubite nadzor nad orodjem.

2) ELEKTRIČNA VARNOST

- Vtiči električnega orodja morajo ustrezati vtičnici. Vtiča nikoli na noben na in ne spreminjajte. Vtičev prilagojevalnika ne uporabljajte z ozemljenimi električnimi orodji.** Nespremenjeni vtiči in ustrezne vtičnice zmanjšajo nevarnost električnega udara.
- Izogibajte se stiku z ozemljenimi površinami kot so cevi, grelniki, štedilniki in hladilniki.** Obstaja povečano tveganje električnega udara, če je vaše telo ozemljeno.
- Orodja ne izpostavljajte dežju in vlažnim pogojem.** Vdor vode v električno orodje bo povečal tveganje električnega udara.
- Kabla ne zlorabljajte. Kabla nikoli ne uporabljajte za prenašanje ali vlečenje oz.**

za izklop električnega orodja. Kabla ne izpostavljajte vročini, olju, ostrim robovom ali premikajočim se delom. Poškodovani ali prepleteni kabli povečajo možnost električnega udara.

- Ko upravljate z električnim orodjem na prostem, uporabite podaljševalni kabel, ki je primeren za uporabo na prostem.** Uporaba kabla, primerne za uporabo na prostem, zmanjšuje možnost električnega udara.
- Če se ne morete izogniti uporabi orodja v vlažnih prostorih, uporabljajte zaščitno napravo na diferencialni tok (RCD).** Uporaba RCD-ja zmanjšuje možnost električnega udara.

3) OSEBNA VARNOST

- Med uporabo električnega orodja bodite pazljivi, pozorni in delajte z glavo. Električnega orodja ne uporabljajte, če ste utrujeni ali ste pod vplivom drog, alkohola ali zdravil.** Trenutek nepozornosti med uporabo električnega orodja lahko povzroči hude telesne poškodbe.
- Uporabljajte osebno zaščitno opremo. Vedno nosite zaščitna očala.** Zaščitna oprema, kot so zaščitna maska za prah, zaščitni čevlji z nedrsečim podplatom, zaščitna čelada ali zaščita sluha, ki jo uporabljate skladno z razmerami, zmanjša tveganje telesnih poškodb.
- Izogibajte se nenamernemu vklopu orodja. Prepričajte se, da je stikalo izklopljeno, preden orodje priključite na električni vir in/ali baterijo, jo poberete ali prestavite.** Do nesreče lahko pride, če imate med prenašanjem orodja prste na stikalo ali če priklopite napajanje orodij z vključenim stikalom.
- Pred vklopom električnega orodja odstranite vse nastavitvene gumba ali izvija.** Izvijač ali ključ, ki ga pustite pritrjenega na vrtljiv del električnega orodja, lahko povzroči telesne poškodbe.
- Ne precenjujte se. Vedno skrbite, da stojite stabilno in imate dobro ravnotežje.** To omogoča boljši nadzor električnega orodja v nepričakovanih situacijah.
- Bodite primerno oblečeni. Široka oblačila in nakit niso primerni. Las, obleke in rokavic ne približujete gibljivim delom.** Široka oblačila, nakit ali dolgi lasje se lahko ujamejo v gibljive dele.
- Če lahko namestite sesalnike in zbiralnike za prah, se prepričajte, da so ti priključeni in pravilno uporabljeni.** Uporaba zbiralnikov za prah lahko zmanjša tveganja zaradi kopičenja prahu.
- Ne dovolite, da bi seznanjenost zaradi pogoste uporabe povzročila, da postanete samozadovoljni in prezrete varnostna načela orodja.** Neprevidno dejanje lahko povzroči hude telesne poškodbe v delčku sekunde.

4) UPORABA IN RAVNANJE Z ELEKTRIČNIM ORODJEM

- a. **Ne preobremenjujte električnega orodja. Uporabljajte orodje, ki je primerno za vaše delo.** Z ustreznim električnim orodjem boste delo opravili bolje in varneje na način, za katerega je bilo ustvarjeno.
- b. **Če s stikalom ne morete vklopiti in izklopiti orodja, ga ne uporabljajte.** Katero koli električno orodje, ki se ga ne da nadzorovati s stikalom, je nevarno in se mora popraviti.
- c. **Izvllecite vtič iz vtičnice in/ali komplet baterij iz električnega orodja preden karkoli prilagodite, zamenjate pripomočke ali električno orodje shranite.** S tovrstnimi varnostnimi ukrepi boste zmanjšali tveganje zaradi nenamernega vklopa električnega orodja.
- d. **Električno orodje, ki ga ne uporabljate, hranite izven dosega otrok in ne dovolite, da bi orodje uporabljale osebe, ki električnega orodja ne poznajo ali ki niso prebrale teh navodil.** Električna orodja so nevarna v rokah neusposobljenih uporabnikov.
- e. **Vzdrževanje električnega orodja in pribora. Preverite, ali so premikajoči deli neravni ali povezani, ali so deli zlomljeni in vse drugo, kar bi lahko vplivalo na delovanje električnih orodij. Če je električno orodje poškodovano, ga pred uporabo obvezno popravite.** Veliko nesreč nastane zaradi slabo vzdrževanega električnega orodja.
- f. **Rezalna orodja naj bodo ostra in čista.** Pravilno vzdrževana rezalna orodja z ostrimi rezili se manjkrat ukleščijo in jih je lažje upravljati.
- g. **Električno orodje, dodatno opremo, nastavke itd. uporabljajte skladno s temi navodili, pri tem pa upoštevajte delovne pogoje in delo, ki ga morate opraviti.** Uporaba električnega orodja v namene, drugačne od tistih, za katere je orodje predvideno, lahko povzroči nevarne situacije.
- h. **Ročaje in prijemne površine vzdržujte suhe, čiste in razmaščene.** Spolzki ročaji in prijemne površine ne omogočajo varnega ravnanja in nadzora orodja v nepričakovanih situacijah.

5) SERVISIRANJE

- a. **Vaše električno orodje naj servisira kvalificiran serviser in pri tem uporablja samo enake originalne nadomestne dele.** Tako bo vaše električno orodje ostalo varno za uporabo.



SPLOŠNA VARNOSTNA OPOZORILA ZA MINI CARVER/MINI GRINDER TRADE

VARNOSTNA OPOZORILA, SKUPNA ZA BRUŠENJE, PESKANJE ALI REZANJE LESA:

- a. To električno orodje naj bi delovalo kot orodje za brušenje, peskanje in rezanje lesa. Preberite vsa varnostna opozorila, navodila, ilustracije in specifikacije, ki so priložene električnemu orodju. Neupoštevanje vseh spodaj navedenih navodil lahko povzroči električni udar, požar in/ali hude telesne poškodbe.
- b. **S tem električnim orodjem ne priporočamo izvajanje postopkov kot so brušenje s polirno ščetko ali rezanje.** Postopki, za katere električno orodje ni bilo zasnovano, lahko povzročijo nevarnost in telesne poškodbe.
- c. **Nikoli ne uporabljajte pripomočke, ki jih proizvajalec ni posebno razvil in priporočil.** Ker je nastavek možno pritrčiti na vaše električno orodje, še ne zagotavlja varnega delovanja.
- d. **Nazivna hitrost dodatka mora biti najmanj enaka najvišji hitrosti, označeni na električnem orodju.** Dodatna oprema, ki se uporablja pri hitrosti, ki je višja od nazivne hitrosti, se lahko zlomi in razleti.
- e. **Zunanji premer in debelina vaše dodatne opreme morata biti skladna z zmogljivostjo vašega električnega orodja.** Dodatna oprema nepravilne velikosti ni ustrezno zavarovana ali nadzirana.
- f. **Navojni nosilec dodatkov mora biti v skladu z navojem vreten brusilnika. Za dodatno opremo nameščeno s prirobnicami, se mora sidrna odprtina ujemati s premerom namestitve prirobnice.** Dodatna oprema, ki se ne ujema z montažno strojno opremo električnega orodja, ne bo uravnotežena, pojavili se bodo prekomerni tresljaji in pride lahko do izgube nadzora.
- g. **Ne uporabljajte poškodovane opreme. Pred vsako uporabo preverite dodatno opremo, kot so brusni koluti za odkruške in razpoke, podlogo za razpoke, raztrganost ali prekomerno obrabo, žične ščetke za ohlapne ali razpokane žice. V primeru padca električnega orodja ali dodatne opreme, ga preglejte za poškodbe ali namestite nepoškodovano dodatno opremo. Po pregledu in namestitvi žične krtače za ohlapne ali razpokane žice. V primeru padca električnega orodja ali dodatne opreme, ga preglejte za poškodbe ali namestite nepoškodovano dodatno opremo. Po pregledu in namestitvi**

dodatne opreme se vi in druge osebe postavite izven ravnine vrtljive dodatne opreme ter zaženite električno orodje pri največji hitrosti brez obremenitve za eno minuto. Poškodovana dodatna oprema se med tem preskusnim časom običajno razpade.

- h. **Nosite osebno zaščitno opremo. Glede na uporabo uporabite ščit za obraz ali zaščitna očala. Po potrebi nosite masko za zaščito pred prahom, zaščito sluha, zaščitne rokavice in predpasnik za delavnice, ki lahko ustavi majhne abrazivne delce ali delce obdelovanca.** Zaščita oči mora biti zasnovana tako, da zaustavi leteče delce, ki nastanejo pri različnih postopkih. Masko za zaščito pred prahom ali respirator mora biti zmožen filtrirati delce, ki nastanejo pri delu. Dolgotrajna izpostavljenost hrupu z visoko intenzivnostjo lahko povzroči izgubo sluha.
- i. **Druge osebe morajo biti varno oddaljene od delovnega območja. Vsakdo, ki vstopa v delovno področje, mora nositi osebno zaščitno opremo.** Delci obdelovanca ali zlomljena dodatna oprema lahko odleti in povzročijo poškodbo izven neposrednega območja uporabe.
- j. **Držite električno orodje samo za izolirane prijemne površine pri izvajanju postopkov, pri katerih lahko pripomoček za rezanje pride v stik s skrito napeljavo ali lastnim kablom.** Dodatna oprema za rezanje, ki se dotakne žice »pod napetostjo«, lahko povzroči, da so izpostavljeni kovinski deli »pod napetostjo« in lahko povzročijo električni udar.
- k. **Napeljite kabel izven dosega vrtljive dodatne opreme.** Če izgubite nadzor, se lahko kabel prereže ali zaskoči in dlan ali roko vam lahko potegne v vrtljivo dodatno opremo.
- l. **Električnega orodja nikoli ne odložite, dokler se dodatna oprema popolnoma ne ustavi.** Vrtljiva dodatna oprema lahko zagrabí površino in izvleče električno orodje iz vašega nadzora.
- m. **Ne uporabljajte električnega orodja, medtem ko ga nosite na strani.** Nenameren stik z vrtljivo dodatno opremo bi lahko zagrabil oblačila in potegnili dodatno opremo proti vašemu telesu.
- n. **Redno očistite prežračevalne odprtine električnega orodja.** Ventilator motorja bo vlek el prah v ohišje in čezmerno kopičenje kovin v prahu lahko povzroči električno nevarnost.
- o. **Ne uporabljajte električnega orodja v bližini vnetljivih snovi.** Iskre lahko povzročijo vžig teh materialov.
- p. **Ne uporabljajte dodatkov, ki zahtevajo tekoče hladilne tekočine.** Uporaba vode ali drugih tekočih hladilnih sredstev lahko povzroči električni udar ali šok.

POVRATNI UDAREC IN POVEZANE OPOZORILA

Povratni udarec je nenadna reakcija na stisnjen ali zaskočen vrtljiv kolut, podlogo, krtačo ali katero koli drugo dodatno opremo. Stiskanje ali zataknitev povzroči hitro zaustavitev vrtljive dodatne opreme, kar posledično povzroči, da se električno orodje nenadzorovano začne vrteti v nasprotno smer vrtenja dodatne opreme na točki spoja. Na primer, če se brusilni kolut zatakne ali zablokira v obdelovancu, se lahko rob koluta, ki zareže v točko priščipnjenja zakoplje v površino materiala, kar povzroči, da se kolut izmakne ali pride do povratnega udarca. Kolut lahko odbije proti ali vstran od upravljavca, odvisno od smeri gibanja koluta v trenutku zataknitve. Brusilna kolesa se lahko pod temi pogoji tudi zlomijo. Povratni udarec je posledica napačne uporabe električnega orodja in/ali nepravilnih delovnih postopkov ali pogojev, in se jim je mogoče izogniti z ustreznimi previdnostnimi ukrepi, kot so navedeni spodaj.

- a. **Ohranite trden oprijem na električnem orodju in postavite telo in roke tako, da se boste lahko uprli sili povratnega udarca. Pri zagonu vedno uporabite pomožni ročaj, če je nameščen, za največji nadzor nad povratnimi udarci ali navorom med zagonom.** Upravljevec lahko nadzoruje reakcije zaradi navora ali sile povratnega udarca, če izvede ustrezne previdnostne ukrepe.
- b. **Nikoli ne postavljajte rok blizu vrtljive dodatne opreme.** Pride lahko do povratnega udarca preko vaše roke.
- c. **Ne postavljajte telesa v območje, kamor bi se električno orodje premaknilo med povratnim udarcem.** Povratni udarec bo orodje usmeril v smeri nasproti gibanju koluta na mestu zataknitve.
- d. **Bodite posebej previdni, ko delate na vogalih, ostrih robovih ipd. Izogibajte se odbijanju in pregibanju dodatne opreme.** Na vogalih, ostrih robovih ali pri odbijanju se pogosto pojavi zataknitev v vrtljive dodatne opreme, kar povzroči izgubo nadzora ali povratni udarec.
- e. **Ne pritrdite verižnega rezila za rezkanje ali ozobljenega žaginega lista.** Takšna rezila pogosto povzročijo povratni udarec in izgubo nadzora.
- f. **Ne pritrdite armirane abrazivne rezalne plošče.** Takšna orodja se lahko odlomijo in povzročijo poškodbe.

VARNOSTNA OPOZORILA, SPECIFIČNA ZA BRUŠENJE:

- a. **Uporabljajte le tipe kolutov, ki so priporočljivi za vaše električno orodje in posebno varovalo, namenjeno za izbran kolut.** Kolutov, za katera električno orodje ni bilo načrtovano, ni mogoče ustrezno zaščititi in niso varni.

- b. **Brusna površina kolutov, ki so nameščeni na sredini, morajo biti nameščena pod ploskvijo zaščitne ustnice.** Neustrezno nameščenega koluta, ki moli skozi ravnino zaščitne ustnice, ni mogoče ustrezno zavarovati.
- c. **Varovalo mora biti varno pritrjeno na električno orodje in nameščeno za največjo varnost, tako da je najmanjši del koluta izpostavljen proti upravljalvcu.** Varovalo pomaga zaščititi upravljalvca pred zlomljenimi deli kolutov, naključnim stikom s kolutom in iskrami, ki lahko vžgejo oblačila.
- d. **Kolute lahko uporabljate samo za priporočene uporabe. Na primer: ne brusite s stranjo rezalnega koluta.** Abrazivni rezalni koluti so namenjeni za periferno brušenje, stranske sile, ki delujejo na te kolute, lahko povzročijo zdrobljenje.
- e. **Vedno uporabljajte nepoškodovane prirobnice kolutov, ki so pravilne velikosti in oblike za izbran kolut.** Pravilne prirobnice kolutov podpirajo kolut, kar zmanjšuje možnost njegovega zloma. Prirobnice za rezalne kolute se lahko razlikujejo od prirobnic brusnih kolutov.
- f. **Ne uporabljajte obrabljenih kolutov za večja električna orodja.** Koluti za večje električno orodje ni primerno za večjo hitrost manjšega orodja in lahko počijo.

- b. Sprostite stikalo On/Off (Vklop/Izklop) in ga pomaknite v položaj Off (Izklop), ko je napajanje prekinjeno, npr. v primeru izpada električne energije ali pri izvleku omrežnega vtiča.
- c. Ne dotikajte se plošč za brušenje in rezanje, dokler se ne ohladijo. Med delom lahko plošče postanejo zelo vroče.
- d. Pritrnite obdelovanca. Obdelovanec, ki je pritrjen z vpenjalnimi napravami ali v primežu, je bolj trdno, kot če bi ga držali z roko..

SEZNANITE SE S SVOJIM ORODJEM

OPIS IN SPECIFIKACIJE IZDELKA



Preberite vsa opozorila in navodila. Neupoštevanje opozoril in navodil lahko povzroči električni udar, požar in/ali hude telesne poškodbe.

CE - Izjava o skladnosti:

Družba Arbortech izjavlja, da je izdelek MIN.FG.900.60 in MIN.FG.910.60, opisan v tem priročniku v poglavju »Tehnične specifikacije«, izdelan v skladu s standardiziranimi dokumenti EN 60745, EMC 2014/30/EU and RoHS 2011/65/EU direktive.

Tehnična datoteka v skladu z Direktivo o strojih 2006/42/ES na: Arbortech PTY LTD | 67 Westchester Road, Malaga, WA 6090

Sven Blinks
Direktor

NAMEN UPORABE

Orodje je namenjeno za brušenje, rezanje in peskanje kovine, kamna in lesa brez uporabe vode.

Opomba: Besedilo, diagrami in podatki so pravilni v času tiskanja. Zaradi neprestane izboljšave naših izdelkov se tehnične specifikacije lahko spremenijo brez predhodnega obvestila.

Za delo na materialih, ki ustvarjajo prah, uporabljajte dodatno opremo za izsesavanje prahu.

Moč	230	V
Ocena moči	1000	W
Pogostost	50	Hz
Zaščitni razred	II	II
Nazivna hitrost	6000-19500	Rpm
Premer orodja	54	mm
Velikost montažne izvrtine	9,5	mm
Velikost montažnega vijaka	M5	mm
Teža	2,35	kg
Emisija vibracij (k = 1,5)	7,31	m/sec ²
Emisije hrupa (k=3,0)	96	dB(A)

DODATNA VARNOSTNA OPOZORILA, SPECIFIČNA ZA PESKANJE:

- a. **Ne uporabljajte prevelikega koluta z brusnim papirjem. Pri izbiri brusnega papirja upoštevajte priporočila proizvajalca.** Večji brusni papir, ki sega preko brusilne plošče, predstavlja tveganje za trganje in lahko povzroči zaskočitev, trganje s koluta ali povratni udarec.
- b. **Prilagodite hitrost orodja, kot je priporočeno za aplikacije za peskanje.** Peskanje pri visoki hitrosti predstavlja nevarnost za raztrganine in opeklino.



DODATNA VARNOSTNA OPOZORILA



Nosite zaščito za sluh; Nosite zaščito za oči; Nosite protiprašno masko; Nosite zaščitne rokavice.

- a. **Uporabite primerne detektorje, da ugotovite, ali so komunalne napeljave skrite v delovnem območju ali se za pomoč obrnite na lokalno komunalno podjetje.** Stik z električnimi vodniki lahko povzroči požar in električni udar. Poškodovanje plinskega voda lahko povzroči eksplozijo. Preluknjanje vodovodnih vodov povzroči poškodbe lastnine ali lahko povzroči električni udar.

⚠ OPOZORILO: Navedena raven emisij treslajev predstavlja glavne uporabe orodja. Če se orodje uporablja za različne aplikacije, z različnimi dodatki ali orodji za vstavljanje ali pa je slabo vzdrževano, se lahko emisije treslajev razlikujejo. Na ta način se lahko raven izpostavljenosti v celotnem delovnem obdobju bistveno poveča.

Pri oceni stopnje izpostavljenosti treslajem je treba upoštevati tudi čas, ko je orodje izklopljeno ali ko deluje, vendar dejansko ne opravlja dela. Na ta način se lahko raven izpostavljenosti v celotnem delovnem obdobju bistveno zmanjša. Identificirajte dodatne varnostne ukrepe, da upravljavca zaščitite pred učinki treslajev.

ODSTRANJEVANJE EMBALAŽE IN SESTAVLJANJE

Orodje preverite, da zagotovite, da se orodje ali dodatna oprema med prevozom niso poškodovali. Če je poškodovano, takoj obvestite prodajalca.

Odstranite pomožno ročico iz škatle in jo pritrдите na orodje. (Slika A)

Pred vsako uporabo zagotovite, da je vpenjalni vijak (18) popolnoma pritegnjen.

KARAKTERISTIKE IZDELKA IN SEZNAM SESTAVNIH DELOV

ITEM	Funkcije in komponente IZDELKA
1	Ohišje orodja Mini Carver/Mini Grinder Trade
2	Pomožna ročica
3	Stikalo On/Off (Vkllop/Izklop)
4	Kontrola hitrosti
5	Gumb za zaklepanje pogona
6	Podaljšek
7	Mini gred
8	Ležaji
9	Pokrov ležaja
10	Vijak 4 g
11	Majhna jermenica
12	Velika jermenica
13	Jermen
14	Pokrov varovala
15	Vijak 6 g
16	Mini Pro rezilo ¹
17	Vpenjalna podložka
18	Vpenjalni vijak M5
19	Pokrov za izsesavanje prahu
20	Brusilna plošča
21	Brusni papir
22	Pritrdilna puša
23	Vijak z vgrezjeno glavo
24	Diamantna rezalna plošča ²
25	Brusni kolut ²
26	Zaklep vretena - pokrov
27	Listnata vzmet
28	Zaklepna palica
29	Gumb za zaklepanje

¹ Vključeno z Mini Carver

² Vključeno z Mini Grinder Trade

KARAKTERISTIKE IZDELKA IN SEZNAM SESTAVNIH DELOV

slika A, slika B, slika C

MONTAŽNA ORODJA IN DODATNA OPREMA

⚠ OPOZORILO: Za zmanjšanje tveganja za resne telesne poškodbe pred nastavljanjem ali odstranjevanjem/nameščanjem orodij in dodatkov orodje izklopite in izvlecite iz napajanja.

1. ZAMENJAVA PLOŠČ ZA REZANJE IN BRUŠENJE

Vstavite ploški izvijač v mini gred (7), da preprečite vrtenje, nato pa odstranite vpenjalni vijak (18) s pomočjo imbus ključa, ki je priložen k orodju (slika D). Rezilo zamenjajte z drugim izdelkom, ki ga priporoča družba Arbotech, kot je prikazano na spodnjih diagramih.

Novo ploščo namestite preko majhne jermenice, tako da je pravilno centrirana in nameščena ravno proti sprednji strani jermenice. Vstavite vpenjalno podložko (17) preko plošče in vstavite in privijte vpenjalni vijak (18), kot je prikazano (slika E). Zagotovite, da so oznake na disku vidne in da je puščica smeri vrtenja usmerjena v isto smer kot puščica na hrbtni strani varovala.

⚠ OPOZORILO: Če plošče preko jermenice ne namestite pravilno, lahko ima to ta posledico resne telesne poškodbe ali poškodbe orodja.

2. NAMESTITEV BRUSILNE PLOŠČE

Sledite zgoraj opisanim korakom za odstranitev plošče (korak 1).

Najprej položite brusilni papir (21) nad brusilno ploščo (20), nato vstavite vijak z vgrezjeno glavo (23) v pritrdilno pušo (22) in skupaj vstavite v središčno luknjo na brusilni plošči. Nato namestite brusilno ploščo preko majhne jermenice (11) (slika F) in privijte vijak na mini gredi.

3. NAMEŠČANJE NAPRAVE ZA IZSESAVANJE PRAHU

Za namestitev naprave za izsesavanje prahu najprej vstavite sprednje čepo pokrova za izsesavanje prahu (19) pod izreze na pokrovu varovala, nato pritisnite zadnji rob, da se zaskočijo zaponke preko stranskih čepov podaljška, kot je prikazano na sl. G. Namestite cev sesalnika v odprtino za izsesavanje prahu (slika H). Odprtina za izsesavanje prahu ustreza velikosti cevi Ø 35 mm.

Če želite pokrov za izsesavanje prahu odstraniti, potegnite zapah za izsesavanje prahu v stran s podaljška in izvlecite v obratni smeri

OPOZORILO:

- Za zmanjšanje nevarnosti telesnih poškodb vedno uporabljajte napravo za izsesavanje prahu.
- Pri rezanju zidarskih materialov zagotovite zadostno izsesavanje prahu.
- Sesalec mora biti odobren za sesanje zidarskega prahu
- Nosite respirator za trdne delce.
- Stroj lahko uporabljate samo za suho rezanje/brušenje.



OPOZORILO: VEDNO UPORABLJAJTE PRAVILNA ZAŠČITNA OBLAČILA, VKLJUČNO Z ZAŠČITO ZA SLUH, OČI IN DIHALA.

NE uporabljajte v mokrih razmerah ali v prisotnosti nnettijvih tekočin in plinov.

POZOR: Pri delu z materiali, ki so obdelani z ali vsebujejo strupene snovi, uporabljajte ustrezno opremo za osebno zaščito in upoštevajte varnostne predpise lokalne vlade.

DELOVANJE

Za upravljanje orodja Mini Carver/Mini Grinder Trade vedno uporabite dve roki, tako da postavite levo roko na pomožni ročaj in desno na ohišje orodja (slika J)

Prepričajte se, da naprava deluje PREDEN vzpostavite stik z materialom, ki ga je treba obdelati. Za peskane, brušenje ali rezanje držite orodje Mini Carver/Mini Grinder Trade, kot je prikazano na sliki K

ROČAJ ZA REZANJE

Za rezanje ali odstranjevanje lesa in plastičnih mas uporabite mini industrijsko rezilo.

Uporabljajte mini brusilne plošče čiščenje in brušenje lesa, plastike, kovine, barve in še veliko več.

Uporabite diamantno rezilno ploščo za rezanje in izdelavo vdolbin v zidan material.

Na brušenje kovu použite brúсны kotúč.

ZAČETEK UPORABE

Upoštevajte pravilno omrežno napetost! Napetost vira napajanja se mora ujemati z napetostjo, ki je navedena na imenski ploščici stroja. Električna orodja z oznako 230-240 V lahko delujejo tudi z 220 V.

PRIKAZ KOTA IN SMERI REZAT

25-30° je ustrezen kot za delo.

Uporabite spodnji rob rezila (kot je prikazano na sliki L/M) in ne kot je prikazano na sl. N.

VKLOP IN IZKLOP

Za zagon električnega orodja potisnite naprej stikalo On/Off (Vklop/Izklop) 3.

Če želite zakleniti stikalo On/Off (Vklop/Izklop) 3, ga pritiskajte navzdol, da se zaskoči.

Če želite izklopiti električno orodje, sprostite stikalo On/Off (Vklop/Izklop) 3 ali če je zaklenjeno, na kratko potisnite hrbtno stran stikala On/Off (Vklop/Izklop) 3 in ga spustite.

- Pred uporabo preverite orodje za brušenje. Orodje za brušenje mora biti pravilno nameščeno in prosto gibljivo.

Pred uporabo preverite delovanje brusilnika brez obremenitve. Ne uporabljajte orodij, ki so poškodovana, izven središča ali se tresejo.



POZOR:

Zaščita pred ponovnim vklopom – Funkcija zaščite pred ponovnim vklopom preprečuje nenadzorovano ponovni zagon naprave po prekinitvi napajanja. Za ponoven zagon delovanja, preklopite stikalo On/Off (Vklop/Izklop) 3 v položaj za izklop in znova zaženite stroj.



OPOZORILO:

- Vedno preberite varnostna navodila in veljavne predpise
- Podprite in zavarujte obdelovanca, da preprečite premikanje in izgubo nadzora.
- Stroja ne pritiskajte ali obremenite tako močno, da bi se ustavil.
- Po močni obremenitvi električnega orodja ga pustite nekaj minut delovati brez obremenitve, da se dodatek ohladi.
- Ne dotikajte se plošč za brušenje in rezanje, dokler se ne ohladijo. Med delom lahko plošč postanejo zelo vroče.

ORODJE	NASTAVITEV MOČI	UPORABA
Mini Pro rezilo ¹	5-6	Rezanje lesa
Diamantna rezalna plošča ²	5-6	Brušenje zidarskega materiala
Brusna plošča ²	5-6	Brušenje kovine
Brusilna plošča	1-3	Peskanje lesa, kovin in drugih materialov. Uporabite nižjo hitrost za brusni papir z večjo zrnatostjo

¹ Vključeno z Mini Carver

² Vključeno z Mini Grinder Trade

VZDRŽEVANJE



OPOZORILO: PRED IZVAJANJEM NASTAVITEV, ČIŠČENJEM ALI DELIH NA SAMEM STROJU, PREKINITE POVEZAVO Z NAPAJANJEM.

ČIŠČENJE REŠETK IN STIKALA

Redno preverjajte, ali so prah ali tuji prodri v rešetke nameščene na sprednji in zadnji strani motorja (slika O in P) ali pod stikalo ON/OFF (VKLOP/IZKLOP) (slika A).

V tem primeru z uporabite mehko krtačo odstranite morebitni nabran prah, da očistite rešetke in stikalo.

NAPENJANJE ALI MENJAVA JERMENA

Orodje Mini Carver/Mini Grinder Trade izvlecite iz napajanja.

Odstranite rezilo in zaščitni pokrov (14), nato dvignite zadnjo stran zaščitnega pokrova in potisnite pokrov nazaj ter dvignite (slika Q). Odvijte 4 vijake (10) (slika R), dokler se pokrov ležaja (9) in pokrov zaklepa vretena (26) ne moreta vrteti znotraj roke.

Komponente 9 in 26 zavrtite skupaj v nasprotni smeri urnega kazalca (slika R), dokler se vijaki ne poravnajo z naslednjo luknjo na roki (slika S). Tako se bo majhen škripec premikal in ustvaril napetost v jermenu. Prepričajte se, da je jermen pravilno nameščen na jermenicah, kot je prikazano na (sl. T), in da je majhen jermenec do konca vstavljen na vreteno.

Ko je napenjanje končano, privijte vijake. Nato pritrdite zaščitni pokrov na roko in namestite rezilo.

JERMENA NE PRENAPNITE

Opomba: očistite okolico z mehko krpo ali majhno krtačo.

Za dodatno opremo in nadomestne dele obiščite www.arbortechtools.com

Proizvajalec si pridržuje pravico do spremembe specifikacij brez predhodnega obvestila.

****Opomba:** Specifikacije se med državami lahko razlikujejo.

OPOMBA: Motor se lahko razlikuje od tistega, ki je prikazan na škattli glede na

specifikacije, ki so zahtevane za vašo državo.

ARBORTECH™

**ARBORTECH PTY LTD 67 WESTCHESTER ROAD
MALAGA 6090**

PERTH WESTERN AUSTRALIA

Tel: 08 9249 1944 Fax: 08 9249 2936

U.S.A. -Tollfree: 866-517-7869

U.S.A Office: 978-466-7945 U.S.A Fax: 866-515-8104

EUROPE: Tel: +49 2724-288301 Fax: +49 2724-205515

www.arbortechtools.com

Facebook: @arbortechtools

Email: arbortech@arbortech.com.au



ADVERTENCIAS DE SEGURIDAD GENERALES PARA HERRAMIENTAS ELÉCTRICAS



ADVERTENCIA - LEA TODAS LAS ADVERTENCIAS DE SEGURIDAD, INSTRUCCIONES, ILUSTRACIONES Y ESPECIFICACIONES PROPORCIONADAS CON ESTA HERRAMIENTA ELÉCTRICA.

El incumplimiento de las advertencias e instrucciones podría provocar una descarga eléctrica, un incendio y/o lesiones graves.

CONSERVE TODAS LAS ADVERTENCIAS E INSTRUCCIONES PARA FUTURAS CONSULTAS

El término "herramienta eléctrica" que aparece en las advertencias se refiere a la herramienta eléctrica que funciona a través de la red eléctrica (con cable) o a la herramienta eléctrica que funciona con batería (sin cable).

1) SEGURIDAD EN EL ÁREA DE TRABAJO

- Mantenga el área de trabajo limpia y bien iluminada.** Las áreas en desorden u oscuras pueden provocar accidentes.
- No utilice herramientas eléctricas en atmósferas explosivas, como ambientes donde haya polvo, gases o líquidos inflamables.** Las herramientas eléctricas originan chispas que pueden inflamar el polvo o los gases.
- Mantenga alejados a los niños y a las personas que estén cerca mientras utiliza una herramienta eléctrica.** Las distracciones pueden ocasionar que pierda el control

2) SEGURIDAD ELÉCTRICA

- Los enchufes de las herramientas eléctricas deben corresponderse con la toma de corriente. No modifique nunca el enchufe de ninguna forma. No utilice ningún enchufe adaptador con herramientas eléctricas conectadas a tierra.** Los enchufes no modificados y las tomas de corriente correspondientes reducirán el riesgo de descarga eléctrica.

- Evite el contacto del cuerpo con superficies conectadas a tierra como tuberías, radiadores, cocinas económicas y frigoríficos.** Existe un mayor riesgo de descarga eléctrica si tiene el cuerpo conectado a tierra.
- No exponga las herramientas eléctricas a la lluvia ni a condiciones húmedas.** Si entra agua a una herramienta eléctrica aumentará el riesgo de descarga eléctrica.
- No someta el cable de alimentación a presión innecesaria. No use nunca el cable para transportar, tirar de la herramienta eléctrica o desenchufarla.** Mantenga el cable alejado del calor, aceite, bordes afilados y piezas en movimiento. Los cables dañados o enredados aumentan el riesgo de descarga eléctrica.
- Cuando esté utilizando una herramienta eléctrica al aire libre, use un cable alargador adecuado para uso en exteriores.** La utilización de un cable adecuado para el uso en exteriores reduce el riesgo de descarga eléctrica.
- Si no puede evitar utilizar una herramienta eléctrica en un lugar húmedo, use un suministro protegido con un dispositivo de corriente residual.** El uso de un dispositivo de corriente residual reduce el riesgo de descarga eléctrica.

3) SEGURIDAD PERSONAL

- Manténgase alerta, esté atento a lo que hace y use el sentido común cuando utilice una herramienta eléctrica. No maneje una herramienta eléctrica cuando esté cansado o bajo los efectos de drogas, medicamentos o alcohol.** Un momento de falta de atención cuando se manejan las herramientas eléctricas puede ocasionar lesiones personales graves.
- Use un equipo protector personal. Utilice siempre protección ocular.** El uso del equipo protector como mascarillas antipolvo, calzado antideslizante, casco o protección auditiva para condiciones apropiadas reducirá las lesiones personales.
- Evite la puesta en funcionamiento involuntaria. Asegúrese de que el interruptor esté en posición de apagado antes de conectar con la fuente de alimentación y/o la batería, de levantar o transportar la herramienta.** El transportar herramientas eléctricas con el dedo puesto en el interruptor o herramientas eléctricas activadoras que tengan el interruptor encendido puede provocar accidentes.
- Saque toda llave de ajuste o llave inglesa antes de encender la herramienta eléctrica.** Una llave inglesa u otra llave que se deje puesta en una pieza en movimiento de la herramienta eléctrica pueden ocasionar lesiones personales.

- e. **No intente extender las manos demasiado. Mantenga un apoyo firme sobre el suelo y conserve el equilibrio en todo momento.** Esto permite un mejor control de la herramienta eléctrica en situaciones inesperadas.
- f. **Vístase debidamente. No se ponga ropa suelta o joyas. Mantenga el pelo, la ropa y los guantes alejados de las piezas móviles.** La ropa suelta, las joyas y el pelo largo pueden quedar atrapados en las piezas en movimiento.
- g. **Si se suministran dispositivos para la conexión del equipo de extracción y recogida de polvo, asegúrese de que estén conectados y de que se usen adecuadamente.** El uso de equipo de recogida de polvo puede reducir los riesgos relacionados con el polvo.
- h. **Evite que el conocimiento adquirido por el uso frecuente de herramientas le induzca a volverse complaciente e ignorar la seguridad de herramientas.** Una acción descuidada puede causar lesiones graves en fracciones de segundo.

4) USO Y CUIDADO DE LAS HERRAMIENTAS ELÉCTRICAS

- a. **No fuerce la herramienta eléctrica. Use la herramienta eléctrica correcta para su trabajo.** La herramienta eléctrica correcta funcionará mejor y con mayor seguridad si se utiliza de acuerdo con sus características técnicas.
- b. **No utilice la herramienta eléctrica si no puede encenderse y apagarse con el interruptor.** Toda herramienta eléctrica que no pueda controlarse con el interruptor es peligrosa y debe ser reparada.
- c. **Desconecte el enchufe de la fuente de alimentación y/o la batería de la herramienta eléctrica antes de realizar ajustes, cambiar accesorios o guardar las herramientas eléctricas.** Dichas medidas de seguridad preventivas reducen el riesgo de poner en marcha la herramienta eléctrica accidentalmente.
- d. **Guarde las herramientas eléctricas que no esté utilizando fuera del alcance de los niños y no permita que utilicen la herramienta eléctrica las personas que no estén familiarizadas con ella o con estas instrucciones.** Las herramientas eléctricas son peligrosas en manos de personas no capacitadas.
- e. **Ocúpese del mantenimiento de las herramientas eléctricas. Compruebe si hay desalineación o bloqueo de las piezas en movimiento, rotura de piezas y otras condiciones que puedan afectar el funcionamiento de la herramienta eléctrica. Si la herramienta eléctrica está dañada, llévela para que sea reparada antes de utilizarla.** Se ocasionan muchos accidentes por el mal mantenimiento de las herramientas eléctricas.

- f. **Mantenga las herramientas para cortar afiladas y limpias.** Hay menos probabilidad de que las herramientas para cortar con bordes afilados se bloqueen y son más fáciles de controlar
- g. **Use la herramienta eléctrica, los accesorios y las brocas de la herramienta etc., conforme a estas instrucciones teniendo en cuenta las condiciones de trabajo y el trabajo que vaya a realizarse.** El uso de la herramienta eléctrica para operaciones que no sean las previstas puede ocasionar una situación peligrosa
- h. **Mantenga las asas y las superficies de agarre secas, limpias y exentas de aceite y grasa.** Las asas y superficies de agarre resbaladizas impiden un manejo y control seguros de la herramienta en situaciones inesperadas.

5) SERVICIO

- a. **Lleve su herramienta eléctrica para que sea reparada por una persona cualificada para realizar las reparaciones que use sólo piezas de recambio idénticas.** Así se asegurará que se mantenga la seguridad de la herramienta eléctrica.

MINI CARVER/ MINI GRINDER TRADE ADVERTENCIAS DE SEGURIDAD

ADVERTENCIAS DE SEGURIDAD COMUNES PARA OPERACIONES DE RECTIFICADO, LIJADO O TALLADO DE MADERA:

- a. Esta herramienta eléctrica está concebida para funcionar como rectificadora, lijadora o herramienta de tallado de madera. Lea todas las advertencias de seguridad, instrucciones, ilustraciones y especificaciones proporcionadas con esta herramienta eléctrica. La inobservancia de todas las instrucciones enumeradas abajo puede provocar descargas eléctricas, incendios y/o lesiones graves.
- b. **No se recomienda el uso de esta herramienta eléctrica para operaciones de pulido.** Su uso para operaciones para las que la herramienta no ha sido diseñada puede ocasionar peligro y lesiones personales.
- c. **No utilizar accesorios que no estén diseñados y recomendados específicamente por el fabricante de la herramienta.** El hecho de que el accesorio pueda acoplarse a la herramienta eléctrica no garantiza un funcionamiento sin riesgos
- d. **La velocidad prevista del accesorio debe ser como mínimo igual a la velocidad máxima**

marcada en la herramienta eléctrica. Los accesorios que funcionen más rápido que su velocidad prevista pueden romperse y salir volando.

- e. **El diámetro externo y el grosor del accesorio deben estar dentro de la capacidad de su herramienta eléctrica.** Los accesorios de tamaño incorrecto no pueden protegerse o controlarse adecuadamente.
- f. **El montaje a rosca de accesorios debe coincidir con la rosca del eje de la amoladora. Para los accesorios instalados por bridas, el orificio del eje del accesorio debe adaptarse al diámetro de la brida.** Los accesorios que no se corresponden con las piezas de montaje de la herramienta eléctrica se desequilibrarán, vibrarán excesivamente y pueden causar pérdida de control.
- g. **No utilice un accesorio dañado. Antes de cada uso inspeccione el accesorio, como por ejemplo la muela abrasiva, para verificar si tiene muescas o grietas, el plato portadiscos para verificar si tiene grietas o roturas o si está muy desgastado, la escobilla de alambre para comprobar si tiene alambres sueltos o agrietados. Si se cae la herramienta eléctrica o un accesorio, inspecciónelos para comprobar si están dañados o instale un accesorio no dañado. Después de inspeccionar e instalar un accesorio, colóquese usted y las personas presentes alejados del plano del accesorio en movimiento y ponga la herramienta eléctrica en funcionamiento a la velocidad sin carga máxima durante un minuto.** Los accesorios dañados normalmente se romperán durante este periodo de prueba.
- h. **Póngase un equipo de protección personal. Dependiendo de la aplicación, use un protector facial y gafas protectoras. Si corresponde, póngase una mascarilla antipolvo, protectores para el oído, guantes y un delantal de trabajo que pueda detener pequeños fragmentos abrasivos o de la pieza de trabajo.** La protección ocular debe poder detener las partículas volantes que se producen con varias operaciones. La mascarilla antipolvo o el respirador deben poder filtrar las partículas generadas por la operación que esté realizando. La exposición prolongada al ruido de intensidad elevada puede causar pérdida auditiva.
- i. **Mantenga a las personas que estén cerca a una distancia de seguridad del área de trabajo. Todos los que entren al área de trabajo deben llevar puesto un equipo de protección personal.** Los fragmentos de una pieza de trabajo o de un accesorio roto pueden salir volando y ocasionar una lesión mas allá del área inmediata de operación.
- j. **Aferre la herramienta eléctrica solo por las superficies de agarre aisladas cuando realice una operación en la cual el accesorio de corte pudiera entrar en contacto con cables ocultos o con su propio cable.** El contacto del accesorio de corte con un cable cargado, puede cargar las partes metálicas expuestas de la herramienta eléctrica y producir una descarga eléctrica al operador.
- k. **Coloque el cable lejos del accesorio giratorio.** Si pierde el control, el cable puede cortarse o engancharse y puede arrastrar a la mano o el brazo hacia el accesorio giratorio.
- l. **No deje nunca a un lado la herramienta eléctrica hasta que el accesorio se haya parado por completo.** El accesorio giratorio puede agarrarse a la superficie y hacer que usted pierda el control de la herramienta.
- m. **No ponga en funcionamiento la herramienta eléctrica mientras la transporte a su lado.** El contacto accidental con el accesorio giratorio podría hacer que se enganche la ropa y que el accesorio toque su cuerpo.
- n. **Limpie periódicamente los orificios de ventilación de la herramienta eléctrica.** El ventilador del motor traerá el polvo dentro de la caja protectora y la acumulación excesiva del metal en polvo puede ocasionar riesgos eléctricos.
- o. **No utilice la herramienta eléctrica cerca de materiales inflamables.** Las chispas podrían prender fuego a estos materiales.
- p. **No utilice accesorios que requieran líquidos refrigerantes.** El utilizar agua u otros refrigerantes líquidos puede ocasionar electrocución o descarga.

CAUSAS Y PREVENCIÓN DE REBOTE POR PARTE DEL OPERADOR

El rebote es una reacción repentina al quedar enganchados o atrapados una muela, plato portadiscos, cepillo u otro accesorio en movimiento. Al engancharse o quedar presionado un accesorio en movimiento, este se detiene rápidamente y a su vez causa que la herramienta eléctrica no controlada quede forzada en dirección opuesta a la rotación del accesorio en el punto del trabado. Por ejemplo, si una muela abrasiva se engancha o queda presionada por la pieza de trabajo, el borde de la muela que entra en el punto de presión puede incrustarse en la superficie del material ocasionando que la muela se salga o se trabé. La muela puede saltar hacia el operador o lejos de él, dependiendo de la dirección del movimiento de la muela en el punto de presión. Las muelas abrasivas pueden también romperse en estas condiciones. El rebote es el resultado del mal uso de la herramienta

o de procedimientos o condiciones de operación incorrectos y puede ser evitado si se toman las precauciones debidas, enumeradas a continuación:

- a. **Sujete firmemente la herramienta eléctrica y sitúe el cuerpo y el brazo de manera que pueda resistir la fuerza del rebote. Para un máximo control del rebote o reacción del par motor durante la puesta en funcionamiento utilice siempre la empuñadura auxiliar, si la hubiera.** El operador puede controlar la reacción del par motor o la fuerza del rebote, si se toman las precauciones adecuadas.
- b. **No ponga nunca la mano cerca del accesorio en movimiento.** El accesorio puede rebotarle en la mano.
- c. **No se sitúe en el área hacia donde vaya a moverse la herramienta eléctrica si ocurre un rebote.** El rebote impulsará a la herramienta en la dirección opuesta al movimiento de la muela en el momento del enganche.
- d. **Tenga especial cuidado cuando trabaje esquinas, bordes afilados, etc. Evite hacer rebotar o enganchar el accesorio.** Las esquinas, los bordes afilados o los rebotes tienen tendencia a enganchar el accesorio en movimiento y ocasionar pérdida de control o tensión de retroceso.
- e. **No acople una hoja de tallado de madera de sierra de cadena o una hoja de sierra dentada.** Dichas hojas ocasionan frecuentes rebotes y pérdida de control.
- f. **No coloque muelas de corte abrasivas reforzadas.** Tales herramientas pueden romperse y causar lesiones.

ADVERTENCIAS DE SEGURIDAD ESPECÍFICAS PARA OPERACIONES DE AMOLADO Y CORTE ABRASIVO

- a. **Utilice sólo tipos de muela que estén recomendados para su herramienta eléctrica y el protector específico diseñado para la muela seleccionada.** Las muelas para las que la herramienta eléctrica no ha sido diseñada no pueden protegerse adecuadamente y no son seguras.
- b. **La superficie de amolado de las muelas centrales bajadas debe montarse debajo del plano del borde del protector.** Una muela montada incorrectamente que se proyecta fuera del plano del borde del protector no puede estar correctamente protegida.
- c. **El protector debe estar bien sujeto a la herramienta eléctrica y posicionado para una seguridad máxima, de manera que la muela quede lo menos expuesta posible hacia el**

operador. El protector ayuda a proteger al operador de fragmentos de muela rotos y del contacto accidental con la muela y las chispas que podrían incendiar la ropa.

- d. **Las muelas deben utilizarse únicamente para las aplicaciones recomendadas. Por ejemplo: no amole con el lado de una muela de corte.** Las muelas de corte abrasivo están previstas para el amolado periférico, y si se aplican fuerzas laterales a estas muelas pueden provocar que se rompan.
- e. **Use siempre bridas de muela no dañadas que sean del tamaño y forma correctos para la muela seleccionada.** Las bridas de muela apropiadas sirven de soporte para la muela, reduciendo así la posibilidad de rotura de la misma. Las bridas de las muelas de corte pueden ser diferentes de las bridas de las muelas para amolado.
- f. **No utilice muelas desgastadas de herramientas eléctricas más grandes.** Una muela diseñada para una herramienta eléctrica más grande no es adecuada para la mayor velocidad de una herramienta más pequeña y puede explotar.

ADVERTENCIAS DE SEGURIDAD ESPECÍFICAS PARA OPERACIONES DE LIJADO

- a. **No utilice papel de disco de lijado de un tamaño excesivamente grande. Siga las recomendaciones del fabricante al seleccionar el papel de lijado.** El papel de lijado grande que sobresalga del disco de lijado presenta un riesgo de laceración y puede ocasionar el enganche o rotura del disco o un rebote.
- b. **Ajuste la velocidad del como se recomienda para aplicaciones de lijado.** El lijado a alta velocidad puede originar riesgo de laceración y quemaduras.

⚠️ ADVERTENCIAS DE SEGURIDAD ADICIONALES



Use protector de oídos, gafas y guantes de protección y mascarilla antipolvo.

- a. **Use detectores adecuados para determinar si existen conductos de servicio ocultos en el área de trabajo o llame a la empresa de servicios local para obtener ayuda.** El contacto con conductores eléctricos puede provocar incendios y descargas eléctricas. Los daños causados en conductos de gas pueden provocar explosiones. La perforación de un conducto de agua puede causar daños materiales o descargas eléctricas.

- b. Suelte el interruptor de conexión/desconexión y póngalo en la posición de desconexión si la alimentación eléctrica está interrumpida, p. ej. en caso de fallo eléctrico o si se ha extraído el enchufe de alimentación.
- c. No toque las muelas de desbaste y corte antes de que se hayan enfriado. Las muelas pueden calentarse mucho durante el trabajo.
- d. Proteja la pieza. Una pieza sujeta con dispositivos de sujeción o en un tornillo de banco se mantiene más segura que con la mano.

Tamaño de agujero de montaje	9,5	mm
Tamaño de tornillo de montaje	M5	mm
Peso	2,35	kg
Emisión de vibraciones (k = 1,5)	7,31	m/sec ²
Emisión de ruido (k=3,0)	96	dB(A)

⚠ ADVERTENCIA: El nivel de emisión de vibraciones declarado se asocia con las aplicaciones principales de la herramienta. Sin embargo, si la herramienta se utiliza para aplicaciones distintas, con diferentes accesorios o herramientas de inserción o se somete a un mantenimiento deficiente, la emisión de vibraciones puede variar. Ello puede aumentar considerablemente el nivel de exposición durante todo el periodo de trabajo.

Una estimación del nivel de exposición a vibraciones también debería tener en cuenta los periodos en que la herramienta está desconectada o cuando está funcionando pero no realiza realmente el trabajo. Ello puede reducir significativamente el nivel de exposición durante todo el periodo de trabajo. Identifique medidas de seguridad adicionales para proteger al operario contra los efectos de vibraciones.

CONOZCA SU HERRAMIENTA

DESCRIPCIÓN Y ESPECIFICACIONES DEL PRODUCTO



Lea todas las advertencias de seguridad e instrucciones. La inobservancia de las advertencias e instrucciones puede provocar descargas eléctricas, incendios y/o lesiones graves. Autorización

declaración de conformidad CE:

Arbortech declara que el producto MIN.FG.900.60 y MIN.FG.910.60 descrito en este manual bajo "Especificaciones técnicas" está fabricado de acuerdo con documentos estandarizados EN 60745, EMC 2014/30/EU and RoHS 2011/65/EU directivas.

Documentación técnica de acuerdo con la directiva de máquinas 2006/42/CE en: Arbortech PTY LTD | 67 Westchester Road, Malaga, WA 6090

Sven Blinks

General Manager

USO PREVISTO

El Mini Carver/Mini Grinder Trade está concebido para el rectificado, tallado y lijado de metal, piedra y madera sin utilizar agua.

Nota: El texto, los diagramas y datos son correctos en el momento de su impresión. En aras de la mejora continua de nuestros productos, las especificaciones técnicas están sujetas a modificaciones sin previo aviso.

Para trabajar con aplicaciones en materiales que generan polvo, use accesorios de extracción de polvo.

Alimentación	230	V
Potencia nominal	1000	W
Frecuencia	50	Hz
Clase de protección	II	II
Velocidad nominal	6000-19500	Rpm
Díámetro de herramienta	54	mm

DESEMBALAJE Y MONTAJE

Realice una inspección para garantizar que no se hayan producido daños en la herramienta y los accesorios durante el transporte. Si se ha producido algún daño, informe al minorista de inmediato.

Retire el mango auxiliar de la caja y colóquelo en la herramienta (fig. A).

Asegúrese de que el tornillo de sujeción (18) esté siempre totalmente apretado antes del uso.

CARACTERÍSTICAS DEL PRODUCTO Y LISTA DE COMPONENTES

ITEMS	características y componente
1	Cuerpo del Mini Carver/Mini Grinder Trade
2	Mango auxiliar
3	Interruptor de conexión/desconexión
4	Control de velocidad
5	Botón de bloqueo de accionamiento
6	Brazo de extensión
7	Mini eje
8	Rodamientos
9	Tapa de rodamientos
10	Tornillo de cabeza troncocónica 4g
11	Polea pequeña
12	Polea grande
13	Correa
14	Cubierta de protección
15	Tornillo de cabeza troncocónica 6g
16	Mini cuchilla Pro ¹
17	Arandela de sujeción
18	Tornillo de sujeción M5
19	Cubierta de extracción de polvo
20	Almohadilla de lijado
21	Papel de lija
22	Abrazadera Bush
23	Tornillo avellanado
24	Muela de corte de diamante ²
25	Muela abrasiva ²

26	Bloqueo del eje - cubierta
27	Ballesta
28	Barra de bloqueo
29	Botón de bloqueo

¹ Incluido con Mini Carver

² Incluido con Mini Grinder Trade

CARACTERÍSTICAS DEL PRODUCTO Y LISTA DE COMPONENTES

Fig. A, Fig. B, Fig. C

HERRAMIENTAS Y ACCESORIOS DE MONTAJE

! **ADVERTENCIA:** Para reducir el riesgo de lesiones personales graves, antes de realizar ajustes o retirar/instalar herramientas o accesorios, apague la herramienta y desconéctela de la alimentación eléctrica.

1. SUSTITUCIÓN DE MUELAS DE TALLADO Y DESBASTE

Inserte un destornillador plano en el mini eje (7) para evitar giro, retire después el tornillo de sujeción (18) con la llave Allen suministrada con la herramienta (fig. D). Sustituya la cuchilla con otro producto recomendado por Arbortech, como se muestra en los diagramas siguientes.

Coloque la nueva muela sobre la polea pequeña, asegurándose de que esté centrada adecuadamente y se asiente de forma plana contra la cara de la polea. Coloque la arandela de sujeción (17) sobre la muela e inserte y apriete después el tornillo de sujeción (18) en el orden mostrado (fig. E). Asegúrese de que las marcas en la muela estén visibles y la flecha de giro apunte en la misma dirección que la flecha en la parte posterior de la protección.

! **ADVERTENCIA:** Si las muelas no se montan adecuadamente sobre la polea, podrían producirse lesiones graves o daños en la herramienta.

2. MONTAJE DE LA ALMOHADILL

LJADPara retirar la muela, siga los pasos preestablecidos arriba (paso 1).

En primer lugar, coloque el papel de lija (21) sobre la almohadilla de lijado (20), inserte después el tornillo avellanado (23) en el casquillo de sujeción (22) e introdúzcalos juntos en el agujero central de la almohadilla de lijado. A continuación, inserte la almohadilla de lijado sobre la polea pequeña (11) (fig. F) y apriete el tornillo en el mini eje.

3. MONTAJE DEL SISTEMA DE EXTRACCIÓN DE POLVO

Para la adaptación en el sistema de extracción de polvo, inserte primero las lengüetas frontales de la cubierta de extracción de polvo (19) situada debajo de los recortes de la cubierta de protección, empuje después la parte posterior hacia abajo para encajar los cierres sobre las lengüetas laterales del brazo de extensión, como se muestra en la fig. G. Coloque la manguera de la aspiradora en el agujero de extracción de polvo (fig. H). El sistema de extracción de polvo se ajusta al tamaño de manguera de Ø35 mm.

Para retirar la cubierta de extracción de polvo, tire del cierre de extracción de polvo lateralmente desde el brazo de extensión y tire después en sentido contrario.

ADVERTENCIA:

- Para reducir el riesgo de lesiones personales, utilice siempre el sistema de extracción de polvo.
- Aplique una extracción de polvo adecuada para cortar materiales de mampostería.
- La aspiradora tiene que estar autorizada para aspirar polvo de mampostería.
- Use un respirador de polvo.
- La máquina sólo puede utilizarse para corte/rectificado en seco.

! **ADVERTENCIA: USE SIEMPRE ROPA DE SEGURIDAD ADECUADA, INCLUYENDO PROTECCIÓN PARA OÍDOS, OJOS Y PULMONES.**

NO use la máquina bajo condiciones húmedas o en presencia de líquidos y gases inflamables.

PRECAUCIÓN: Cuando trabaje con materiales tratados o que contengan sustancias tóxicas, use el equipamiento de protección personal adecuado y siga las regulaciones de seguridad de la administración local.

FUNCIONAMIENTO

Para el manejo del Mini Carver/Mini Grinder Trade, utilice siempre las dos manos, colocando la mano izquierda en el mango auxiliar y la derecha en el cuerpo de la herramienta (fig. J).

ANTES de establecer contacto con el material que debe procesarse, asegúrese de que la máquina funciona. Para lijar, rectificar o tallar en madera, sujete el Mini Carver/Mini Grinder Trade como se muestra en la fig. K

AGARRE PARA CORTE

Use la mini cuchilla industrial para cortar o retirar madera y plásticos.

Use las mini almohadillas de lijado para limpiar y lijar madera, plásticos, metal, pintura y muchos otros materiales.

Use la cuchilla de diamante para cortar y rebajar cualquier material basado en mampostería.

Utilice el disco de molienda para moler metal.

PUESTA EN MARCHA

¡Asegúrese de que la tensión de alimentación sea correcta! La tensión de la alimentación eléctrica ha de coincidir con la tensión

especificada en la placa de características de la máquina. Las herramientas eléctricas marcadas con 230-240V también pueden funcionar con 220 V.

DEMOSTRACIÓN DE ÁNGULO Y DIRECCIÓN DE CORTE

25-30° es un ángulo de trabajo cómodo.

Use el borde inferior de la cuchilla como se muestra en la fig. L / M, no como en la fig. N.

CONEXIÓN Y DESCONEXIÓN

Para poner en marcha la herramienta eléctrica, presione el interruptor de conexión/desconexión 3 hacia adelante.

Para bloquear el interruptor de conexión/desconexión 3, presiónelo hacia abajo en la parte frontal hasta que encaje.

Para desconectar la herramienta eléctrica, suelte el interruptor de conexión/desconexión 3, o si está bloqueado, presione brevemente su parte posterior y suéltelo después.

- Compruebe las herramientas de rectificar antes de utilizarlas. La herramienta de rectificar tiene que montarse adecuadamente y poder moverse libremente.

Antes de utilizar la rectificadora, efectúe una prueba de funcionamiento sin carga. No use herramientas dañadas, fuera del centro o que vibren.



PRECAUCIÓN:

Protección contra re arranque – la función de protección contra re arranque previene el re arranque incontrolado de la máquina tras una

interrupción de la alimentación eléctrica. Para el re arranque, coloque el interruptor de conexión/desconexión 3 en la posición de desconexión y vuelva a arrancar la máquina.



ADVERTENCIA:

- **Lea siempre las instrucciones de seguridad y las regulaciones aplicables**
- **Apoye y asegure la pieza para prevenir movimientos y pérdida de control.**
- **No ejerza presión ni fuerce la máquina con tanta intensidad que se detenga.**
- **Si ha forzado intensamente la herramienta eléctrica, continúe utilizándola sin carga durante varios minutos para enfriar los accesorios.**
- **No toque las muelas de rectificado y corte antes de que se hayan enfriado. Las muelas pueden calentarse mucho durante el trabajo.**

HERRAMIENTA	AJUSTE DE ALIMENTACIÓN	APLICACIÓN
Mini cuchilla Pro ¹	5-6	Talla de madera
Muela de diamante ²	5-6	Rectificado de material de mampostería
Muela de rectificado ²	5-6	Rectificado de metal
Almohadilla de lijado	1-3	Lijado de madera, metal y otros materiales. Aplique una velocidad menor para papel de lija de grano mayor

¹ Incluido con Mini Carver

² Incluido con Mini Grinder Trade

MANTENIMIENTO



ADVERTENCIA: ANTES DE REALIZAR CUALQUIER AJUSTE, LIMPIEZA O TRABAJO EN LA PROPIA MÁQUINA, DESCONÉCTELA DE LA ALIMENTACIÓN ELÉCTRICA.

LIMPIEZA DE LAS REJILLAS Y DEL INTERRUPTOR

Compruebe la máquina regularmente para ver si ha entrado polvo o materias extrañas en las rejillas situadas en la parte frontal y posterior del motor (fig. O y P) o debajo del interruptor de CONEXIÓN/DESCONEXIÓN (fig. A).

En caso afirmativo, utilice un cepillo suave para eliminar el polvo acumulado y limpiar las rejillas y el interruptor.

TENSAR O SUSTITUIR LA CORREA

Desconecte el Mini Carver/Mini Grinder Trade

Retire la hoja y la cubierta protectora (14), luego levante la parte trasera de la cubierta protectora y deslice la cubierta hacia atrás y levántela (Fig.Q). Desatornille los 4 tornillos (10) (fig. R), hasta que la tapa del cojinete (9) y la tapa de bloqueo del eje (26) puedan girar dentro del brazo.

Gire los componentes 9 y 26 juntos en sentido antihorario (Fig R) hasta que los tornillos se alineen con la siguiente posición del orificio en el brazo (Fig S). Esto hará que la polea pequeña se mueva y cree tensión en la correa. Asegúrese de que la correa esté colocada correctamente sobre las poleas como se muestra en la (Fig. T) y que la polea pequeña esté completamente insertada en el eje.

Cuando termine de tensar, apriete los tornillos. Luego asegure la cubierta protectora en el brazo e instale la hoja.

NO TENSAR LA CORREA EN EXCESO

Nota: Limpie los alrededores con un paño suave o un cepillo pequeño.

Para accesorios y piezas de repuesto, visite
www.arbortechtools.com

*El fabricante se reserva el derecho de cambiar especificaciones sin previo aviso.

**Nota: Las especificaciones pueden diferir de un país a otro.

NOTA: El motor puede diferir del que se muestra en la caja, dependiendo de las especificaciones requeridas para su país

ARBORTECH™

**ARBORTECH PTY LTD 67 WESTCHESTER ROAD
MALAGA 6090**

PERTH WESTERN AUSTRALIA

Tel: 08 9249 1944 Fax: 08 9249 2936

U.S.A. -Tollfree: 866-517-7869

U.S.A Office: 978-466-7945 U.S.A Fax: 866-515-8104

EUROPE: Tel: +49 2724-288301

Fax: +49 2724-205515

www.arbortechtools.com

Facebook: @arbortechtools

Email: arbortech@arbortech.com.au

*Manufacturer reserves the right to change specifications without notice.

****Note:** Specifications may differ from country to country.

NOTE: Motor may differ from that shown on box depending on specifications required for your country.



ARBORTECH PTY LTD 67 WESTCHESTER ROAD MALAGA 6090

PERTH WESTERN AUSTRALIA

Tel: 08 9249 1944 Fax: 08 9249 2936

U.S.A. -Tollfree: 866-517-7869

U.S.A Office: 978-466-7945 U.S.A Fax: 866-515-8104

EUROPE: Tel: +49 2724-288301 Fax: +49 2724-205515

www.arbortechtools.com

Facebook: @arbortechtools

Email: arbortech@arbortech.com.au