

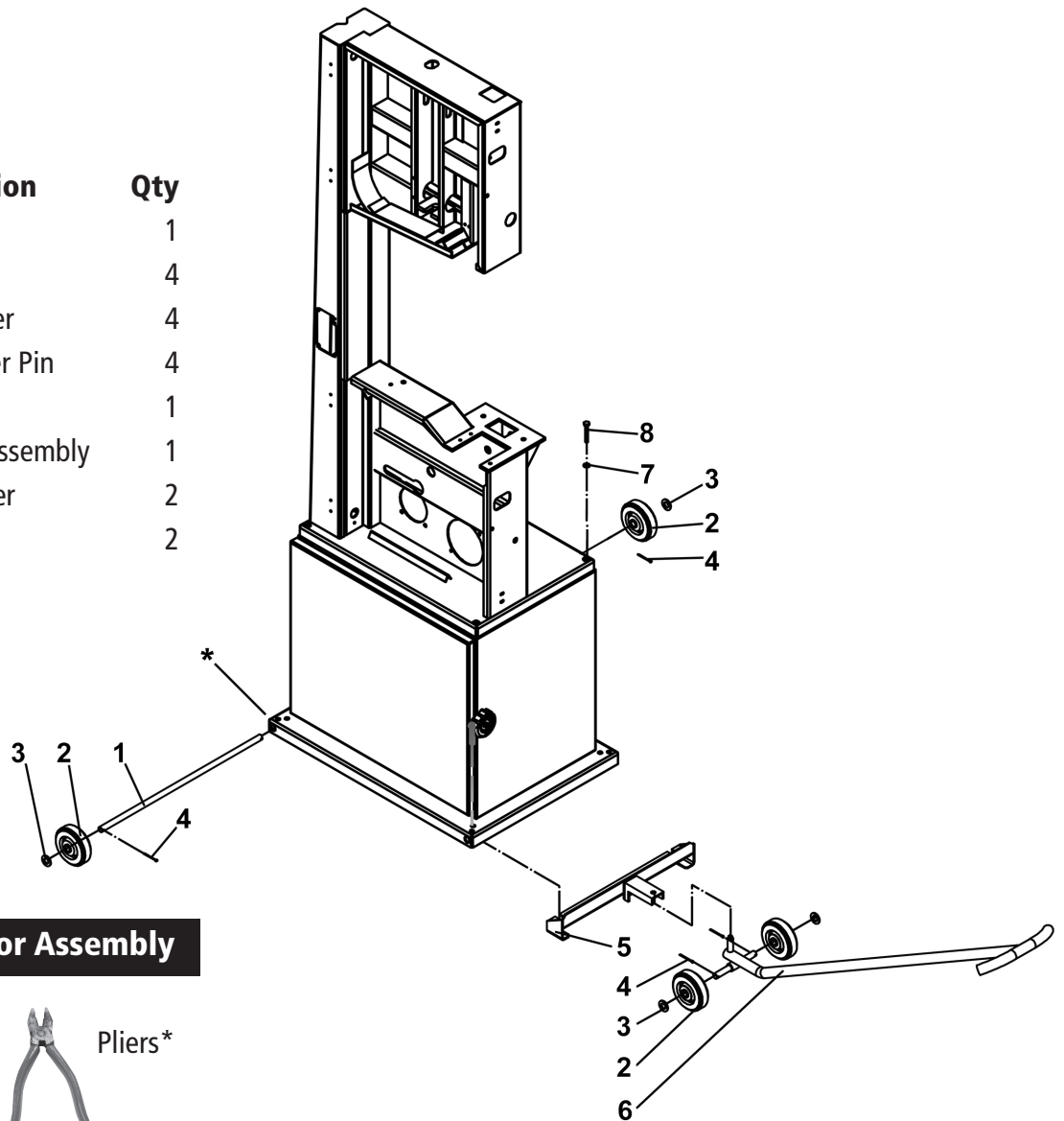
Original Instruction Manual

Mobility Kit Assembly Diagram

SABRE-350 14" Bandsaw

Manual Addendum

Key No.	Description	Qty
1	Shaft	1
2	Wheel	4
3	Flat washer	4
4	Split Cotter Pin	4
5	Bracket	1
6	Tow Bar Assembly	1
7	Flat Washer	2
8	Hex Bolt	2



Tools Required for Assembly



To register this product please visit
www.recordpower.info

It is important to register your product as soon as possible in order to receive efficient after sales support and be entitled to the full **5 year guarantee**. Your statutory rights are not affected.

Please see back cover for contact details.