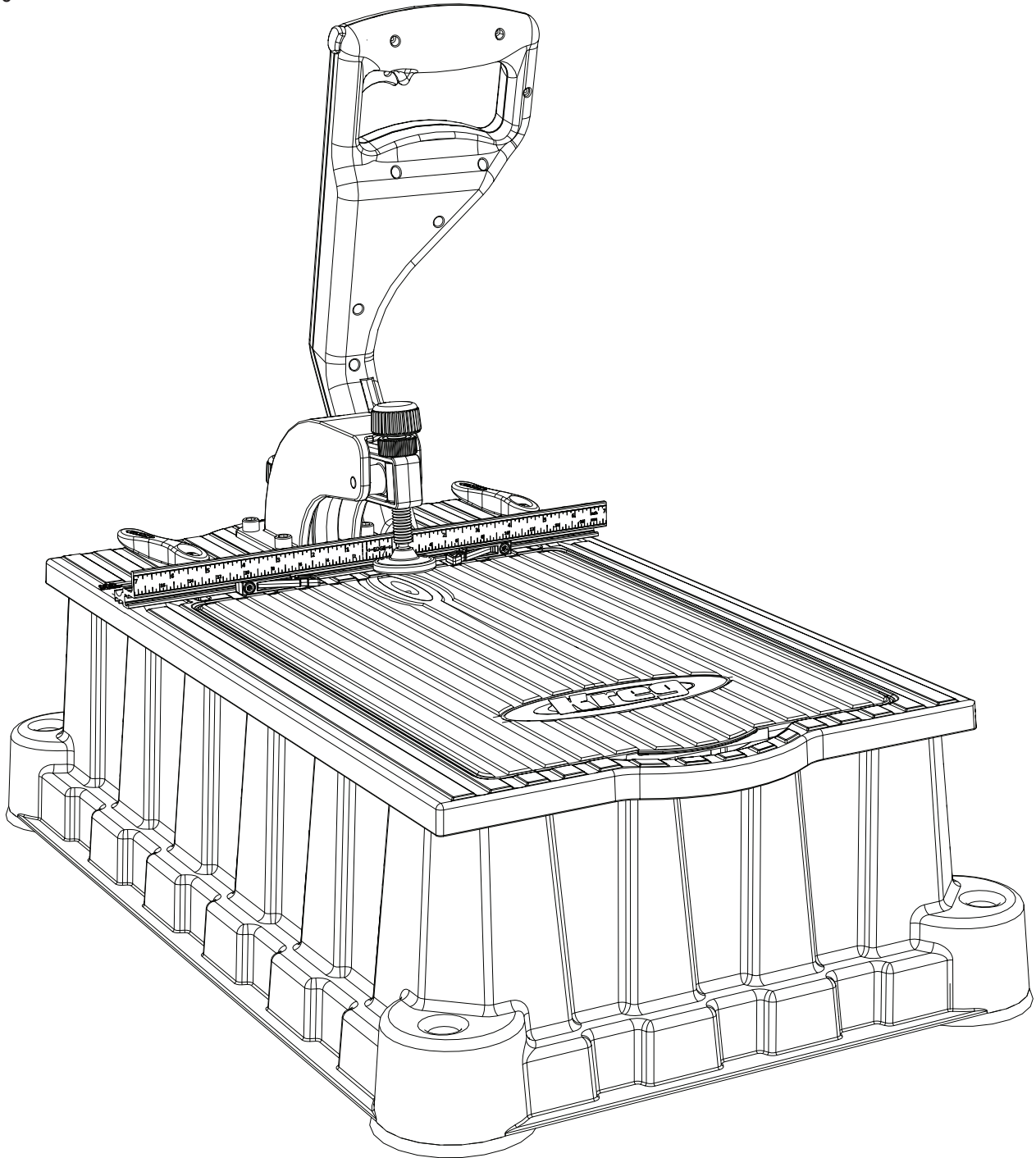





DB210
FOREMAN

OWNER'S MANUAL
GUIDE D'UTILISATION
MANUAL DEL PROPIETARIO


Item# DB210




Version 2 - 11/2016

 **WARNING** This product contains one or more chemicals known to the State of California to cause cancer and birth defects or other reproductive harm. Wash hands after handling.

General Safety Rules

 **WARNING** For your own safety, read the owner's manual before operating this pocket-hole machine.

 **WARNING** Read all instructions. Failure to follow all instructions listed below may result in electric shock, fire and/or serious injury. The term "power tool" in all of the warnings listed below refers to your mains-operated (corded) power tool or battery-operated (cordless) power tool.

SAVE THESE INSTRUCTIONS

1) Work area safety

- a) **Keep work area clean and well lit.** *Cluttered or dark areas invite accidents.*
- b) **Don't use power tools in a dangerous environment.** *Don't use power tools in damp or wet locations, or expose them to rain.*
- c) **Do not operate power tools in explosive atmospheres, such as in the presence of flammable liquids, gases or dust.** *Power tools create sparks which may ignite the fumes or dust.*
- d) **Keep children and bystanders away while operating a power tool.** *Distractions can cause you to lose control.*
- e) **Make your workshop child proof with padlocks, master switches, or by removing starter keys.**

2) Electrical safety

- a) **Do not expose power tools to rain or wet conditions.** *Water entering a power tool will increase the risk of electric shock.*
- b) **Do not abuse the cord. Never use the cord for carrying, pulling or unplugging the power tool. Keep cord away from heat, oil, sharp edges or moving parts.** *Damaged or entangled cords increase the risk of electric shock.*
- c) **Use a proper extension cord and make sure it is in good condition.** *When using an extension cord, be sure to use one heavy enough to carry the current your machine draws. An undersized cord causes a drop in line voltage resulting in loss of power and overheating. Table 1 on the following page shows the correct cord gauge to use depending on cord length and nameplate ampere rating. If in doubt, use the next heavier gage. The smaller the gage number, the heavier the cord.*

3) Personal safety

- a) **Stay alert, watch what you are doing and use common sense when operating a power tool. Do not use a power tool while you are tired or under the influence of drugs, alcohol or medication.** *A moment of inattention while operating power tools may result in serious personal injury.*
- b) **Always wear safety glasses.** *Everyday eyeglasses only have impact resistant lenses, they are NOT safety glasses.*
- c) **Use safety equipment.** *Use a face or dust mask when the cutting operation is dusty. Safety equipment such as a dust mask, non-skid safety shoes, hard hat, or hearing protection used for appropriate conditions reduces personal injuries.*
- d) **Avoid accidental starting. Make sure the switch is in the off-position before plugging in.** *Carrying power tools with your finger on the switch or plugging in power tools that have the switch on invites accidents.*

e) **Remove any adjusting key or wrench before turning the power tool on.** *A wrench or a key left attached to a rotating part of the power tool may result in personal injury.*

f) **Do not overreach. Keep proper footing and balance at all times.** *This enables better control of the power tool in unexpected situations.*

g) **Secure workpieces.** *Use clamps or a vise to hold work when practical. This is safer than using your hand and it frees both hands to operate the tool.*

h) **Never stand on the machine.** *Serious injury could occur if the tool tips or if the cutting tool is unintentionally contacted.*

i) **Dress properly. Do not wear loose clothing or jewelry. Keep your hair, clothing and gloves away from moving parts.** *Loose clothes, jewelry or long hair can be caught in moving parts.*

j) **If devices are provided for the connection of dust extraction and collection facilities, ensure these are connected and properly used.** *Use of these devices can reduce dust-related hazards.*

4) Power tool use and care

- a) **Keep guards in place and in working order.**
- b) **Do not force the power tool. Use the correct power tool for your application.** *The correct power tool will do the job better and safer at the rate for which it was designed.*
- c) **Use right tool.** *Don't force tool or attachment to do a job for which it was not designed.*
- d) **Do not use the power tool if the switch does not turn it on and off.** *Any power tool that cannot be controlled with the switch is dangerous and must be repaired.*
- e) **Disconnect the plug from the power source and/or the battery pack from the power tool before making any adjustments, changing accessories, or storing power tools.** *Such preventive safety measures reduce the risk of starting the power tool accidentally.*
- f) **Never leave tool running unattended. Turn power off.** *Don't leave tool until it comes to a complete stop.*
- g) **Store idle power tools out of the reach of children and do not allow persons unfamiliar with the power tool or these instructions to operate the power tool.** *Power tools are dangerous in the hands of untrained users.*
- h) **Maintain power tools. Check for misalignment or binding of moving parts, breakage of parts and any other condition that may affect power tool operation. If damaged, have the power tool repaired before use.** *Many accidents are caused by poorly maintained power tools.*
- i) **Keep cutting tools sharp and clean.** *Properly maintained cutting tools with sharp cutting edges are less likely to bind and are easier to control.*
- j) **Use the recommended speed for the cutting tool or accessory and workpiece material.**
- k) **Only use parts and accessories recommended by the manufacturer.** *Consult the owner's manual for recommended accessories. Using improper accessories may cause personal injury.*
- l) **Use the power tool, accessories and tool bits etc., in accordance with these instructions and in the manner intended for the particular type of power tool, taking into account the working conditions and the work to be performed.** *Use of the power tool for operations different from those intended could result in a hazardous situation.*








5) Service

- a) **Have your power tool serviced by a qualified repair person using only identical replacement parts.** *This ensures that the safety of the power tool is maintained.*


6) Additional Safety Rules for the DB210 Foreman

- a) To reduce the risk of electric shock, this equipment has a polarized plug (one blade is wider than the other). This plug fits in a polarized outlet only one way. If the plug does not fit fully in the outlet, rotate the plug. If it still does not fit, contact a qualified electrician to install the proper outlet. Do not change the plug in any way.
- b) Keep hands away from the rotating bit and workpiece clamp when operating the machine.
- c) Make sure the bit is completely withdrawn from the workpiece and comes to a complete stop before adjusting the workpiece position.
- d) Secure the machine to prevent tipping or sliding. Never stand on the machine.
- e) Follow all lubrication and maintenance practices detailed in the instruction manual.
- f) This machine is designed for a specific application. Do not modify and/or use it for any other application. If you have questions relative to the application of the machine, DO NOT use it until you have contacted Kreg Tool Company and have been advised accordingly.

7) The label on your machine may include the symbols below. The symbols and their definitions are as follows:

	safety alert symbol
V	volts
Hz	hertz
A	amperes
W	watts
	direct current
	alternating current
	alternating or direct current
	Class I Construction (grounded)
	Class II Construction (double insulated)
	earthing terminal
min	minutes
/min	per minute
BPM	beats per minute
RPM	revolutions per minute
n_0	no load speed

California Proposition 65

 **WARNING!** Dust created by sanding, sawing, grinding, drilling, and other construction activities may contain chemicals known to the State of California to cause cancer and birth defects or other reproductive harm. Examples of these chemicals are:

- a) Lead from lead-based paints
- b) Crystalline silica from bricks and cement and other masonry products
- c) Arsenic and chromium from chemically treated lumber

Your risk from exposure to these chemicals depends on how often you do this type of work. To reduce your exposure, work in a well-ventilated area with approved safety equipment, such as a dust mask specifically designed to filter out microscopic particles.

Foreman DB210 motor specifications

120 V~5.0A 2,800 rpm

Guidelines for extension cord use

Extension cords are only to be used for temporary purposes. They do not replace the need for installation of outlets and proper wiring where necessary.

In the shop and on construction sites:

1. Extension cords with an equipment grounding conductor must be used at all times.
2. Extension cords must be protected from damage, and not run through doorways or windows where the doors or windows may close, causing damage to the cord.
3. Extension cords should be a minimum of 16 AWG and be rated for the equipment in use.
4. Extension cords must be periodically inspected to ensure that the insulation and conductivity of the wires are not compromised.
5. Extension cords should not be run through water or allowed to have connections that may be exposed to accumulated water.

TABLE 1

Extension cord gauge	Extension Cord Length					
	25'	50'	75'	100'	150'	200'
Nameplate Amperes @120 V						
0 -5	16	16	16	14	12	12
5.1 - 8	16	16	14	12	10	NR
8.1 -12	14	14	12	10	NR	NR
12.1 - 16	12	12	NR	NR	NR	NR

NR – Not Recommended

Congratulations on choosing a Kreg Foreman DB210 semi-automatic pocket-hole machine. Please read all instructions and safety information contained in this manual before using this product.

Owning a Foreman gives you all the advantages of a true production pocket-hole machine with the compactness and portability of a bench-top tool. This manual guides you through the steps necessary to adjust your machine and drill pocket holes. In addition to this manual, you may find the following resources helpful:

Kreg Online: To order more pocket-hole screws, view accessories available for your jig, or get help making a particular joint, go to kregtool.com.

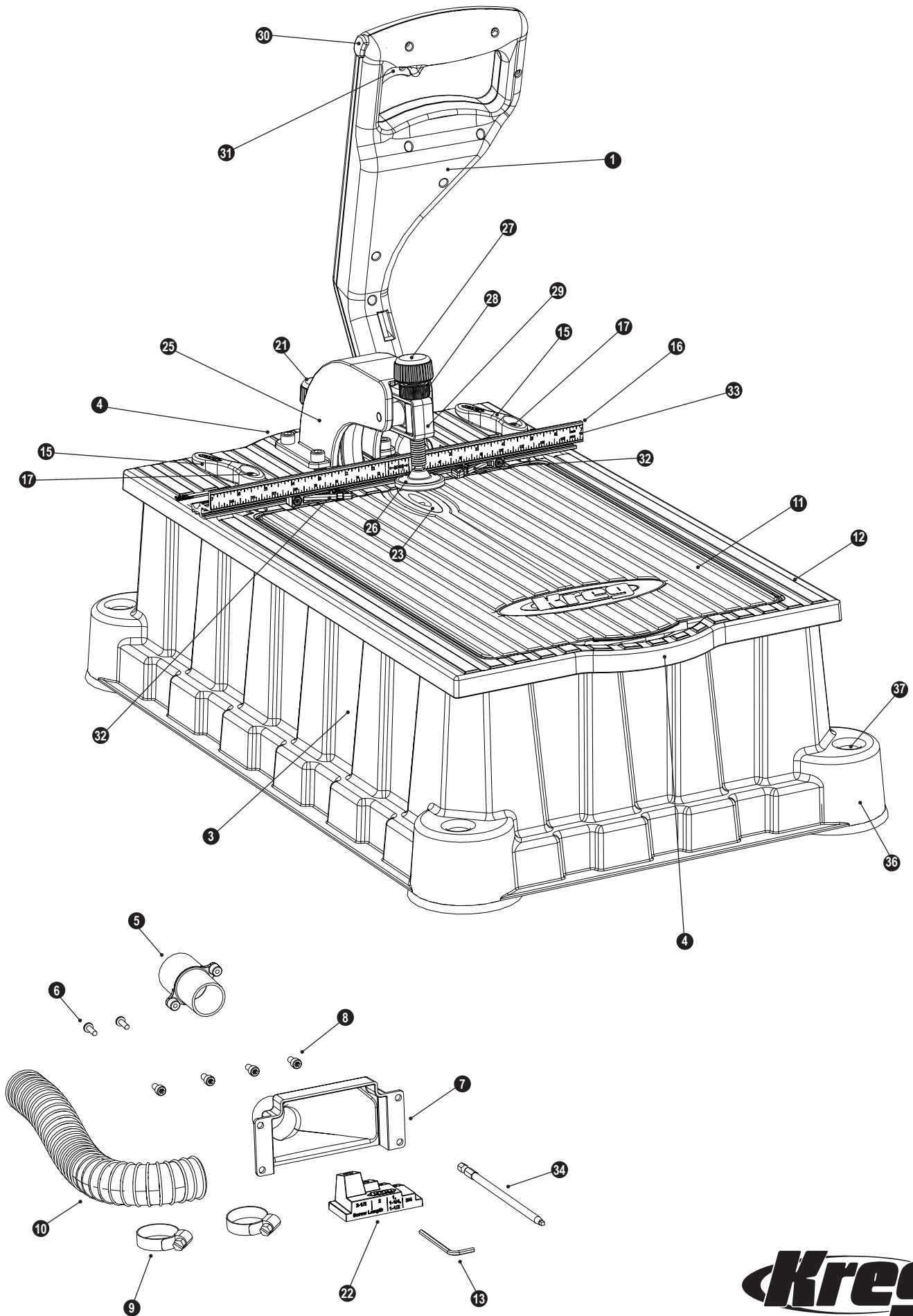
Kreg Owner's Community: Sign up as a member, create your own page, view other members' projects, post photos of your projects, view how-to videos, and participate in forums by going to kregjig.ning.com.

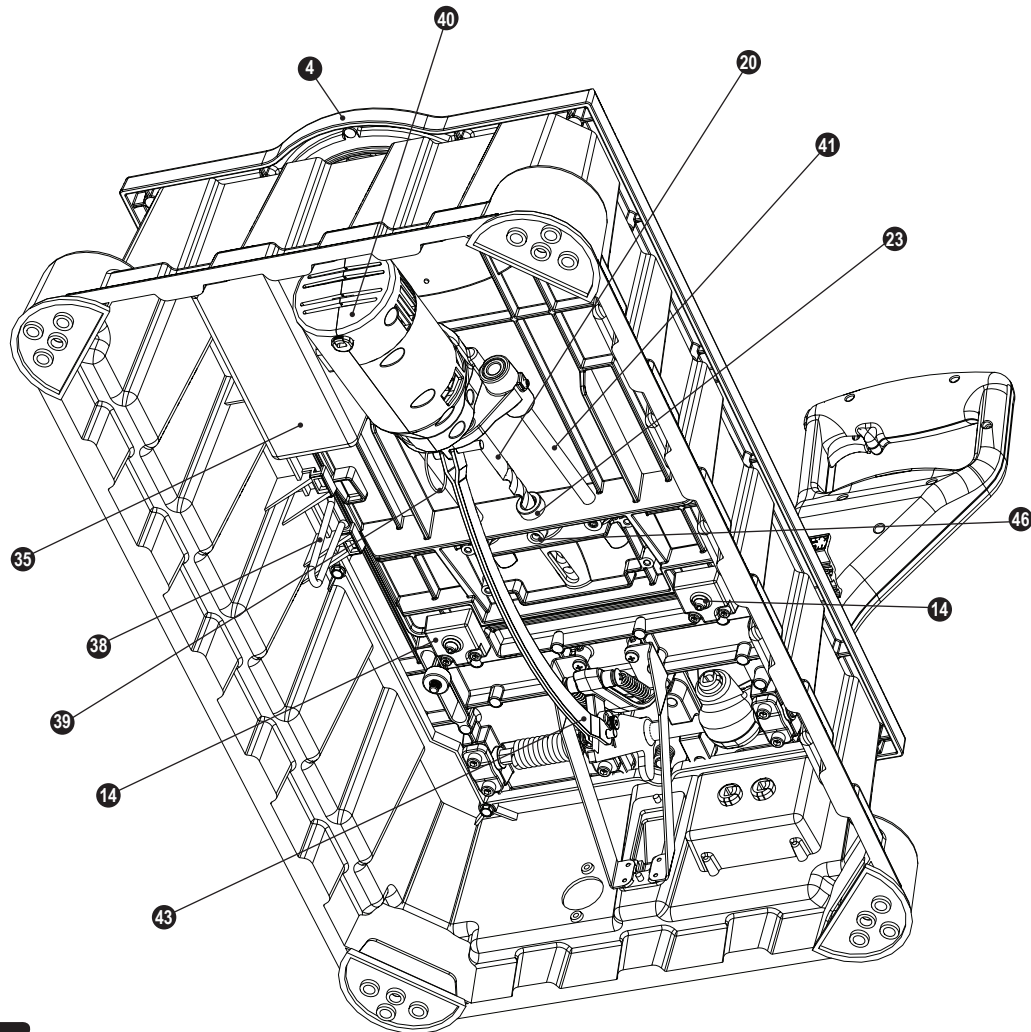
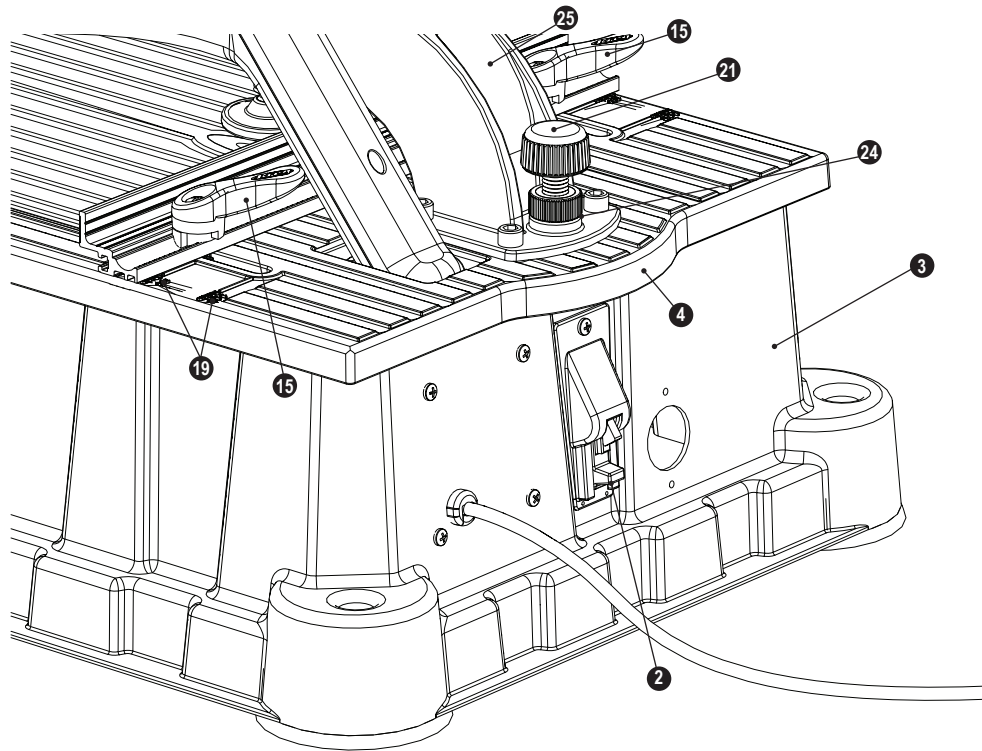
Kreg YouTube Channel: For project, product, and tip videos, visit youtube.com/user/kregtoolcompany.

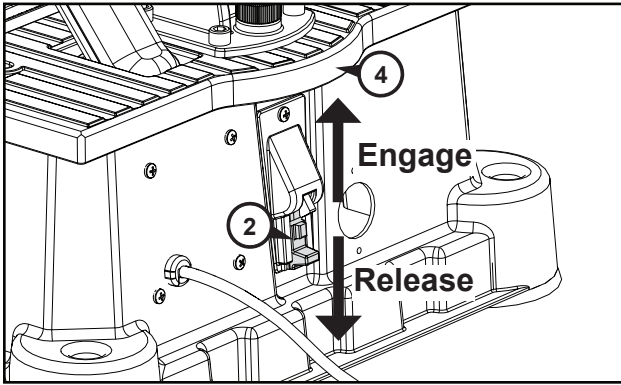
Kreg on Facebook: Connect with Kreg on Facebook to share your projects and get inspiration from our fans and friends at facebook.com/kregJig.

Parts

Item#	Description	Item#	Description
1	Control arm	28	Clamp jam nut
2	Arm lock	29	Clamp arm
3	Machine base	30	Switch lock-out button
4	Handles	31	Switch
5	Vacuum port	32	Workpiece stops
6	Self-tapping screws	33	Center-reading measuring tape
7	Vacuum shroud	34	#2 square driver bit 6" long
8	Truss-head machine screws	35	Accessory tray
9	Hose clamps	36	Foot
10	Vacuum hose	37	Mounting hole
11	Access panel	38	Panel support
12	Machine top	39	Link-release pin
13	3mm hex wrench	40	Motor
14	Cover levelers	41	Guide rods
15	¼-turn fence-lock handles	42	Quick-change chuck
16	Fence	43	Motor link
17	Fence-lock screws	44	Hinge pivots
18	Fence-lock bases	45	Pivot sockets
19	Workpiece thickness marks	46	Drill guide set screw
20	Drill bit		
21	Drilling-depth stop knob		
22	Drilling-depth setting block		
23	Drill guide (Standard guide included)		
24	Depth-stop jam nut		
25	Clamp-arm housing		
26	Clamp pad		
27	Clamp adjustment knob		





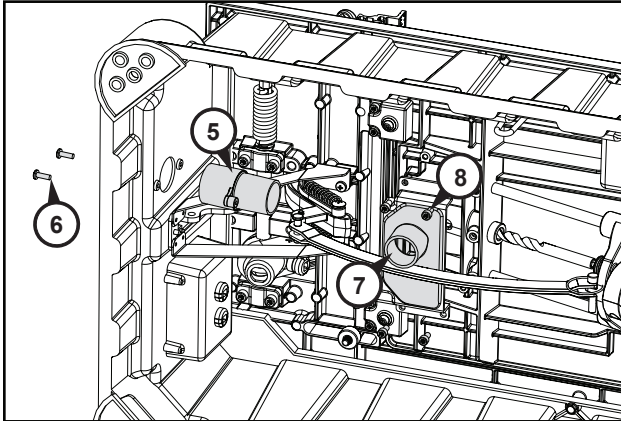


Always disconnect the machine from power before assembly, opening the access cover, or making any adjustments.

Release the control arm

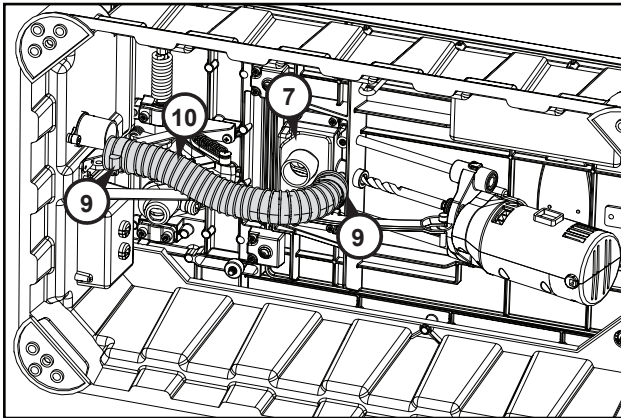
Push down on the control arm (1), release the arm lock (2) at the back of the machine base (3), and guide the control arm to the full-up position. Do not let the arm snap into the full-upright position. For transportation and storage, push down on the control arm and engage the arm lock.

Never lift or carry the machine by the control arm. Always use the handles (4) at the front and rear of the machine.



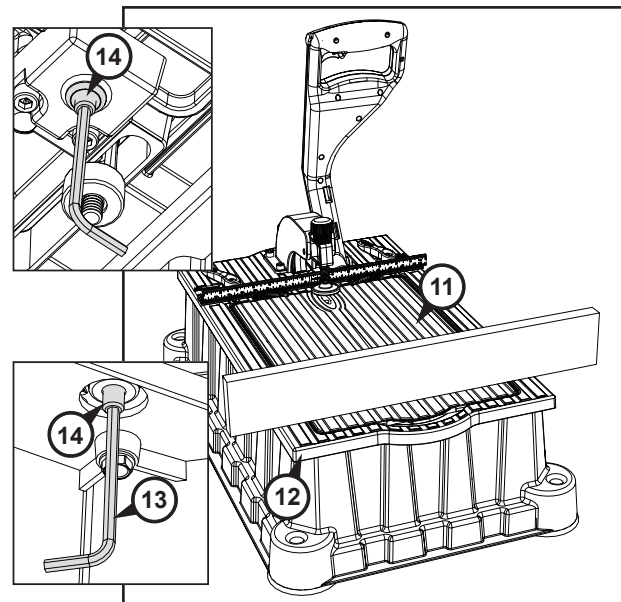
Install the chip-removal system

The Foreman is supplied with a chip-removal system that includes a 1¼" vacuum port (5) and self-tapping screws (6), vacuum shroud (7) and machine screws (8), hose clamps (9), and vacuum hose (10). In addition to helping keep your work area clean, efficient chip removal speeds drilling time and reduces heat build-up, extending the life of your drill bit. A Foreman with the chip-removal system installed must be connected to a shop vacuum when in use. Not connecting the chip-collection system to a shop vacuum causes chips to collect in the hose and vacuum shroud and eventually clog the drill bit. The Foreman can be used without the chip-collection system in place. If you install the system and find that you must use your Foreman without a shop vacuum, simply disconnect the vacuum hose from the vacuum shroud.



To install the chip-removal system, turn the Foreman onto one side and from the inside of the machine base (3), insert the vacuum port (5) into the hole in the back of the base and secure it from the outside with two self-tapping screws (6). Fasten the vacuum shroud (7) to the machine with four truss-head machine screws (8).

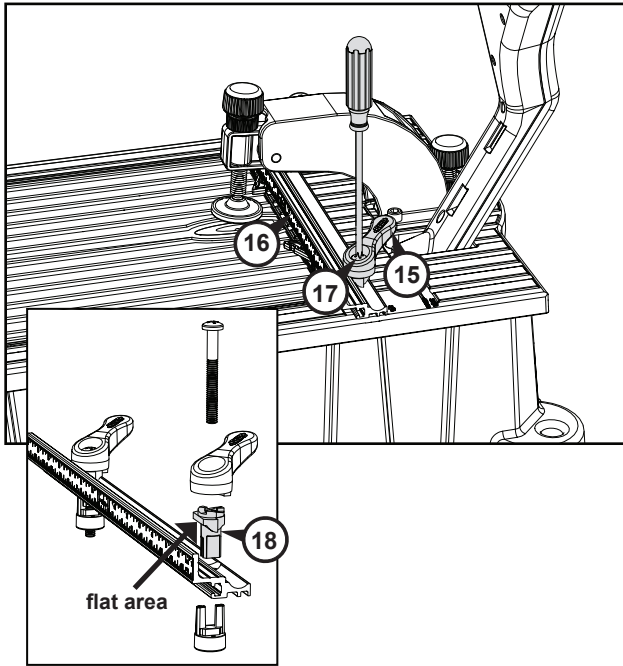
Slip the hose clamps (9) over the ends of the vacuum hose (10) and slip the vacuum hose ends onto the vacuum port and vacuum shroud. To make it easy to disconnect the vacuum hose from the vacuum shroud when working through the access panel (11), orient the front hose clamp with the screw head facing the front of the machine. Tighten the clamps and turn the Foreman upright.



Level the access panel

The access panel should be flush with the machine top right out of the box. Should it need adjustment, use the following procedure:

Place the machine on saw horses so you have access to the bottom of the machine. Lay a straight edge across the machine top (12) and access panel (11). Use the 3mm hex wrench (13) supplied with the machine to turn the cover levelers (14).

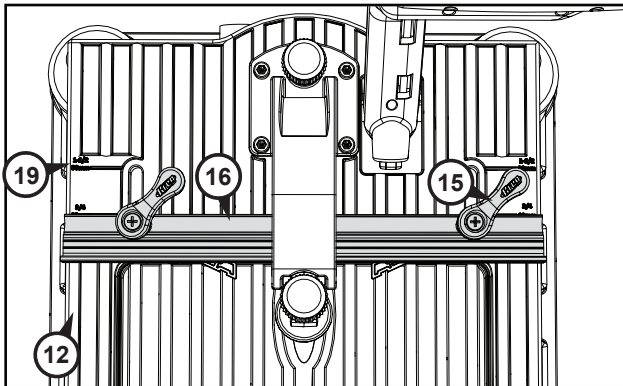


Adjust the fence-lock pressure

Rotate the ¼-turn fence-lock handles (15) clockwise (locked position). If the fence (16) can be moved with moderate pressure, tighten the fence-lock screws (17). Rotate the handles counterclockwise (unlocked position) and verify that the fence moves freely.

Should it ever be necessary to disassemble the fence locks, the fence-lock bases (18) must be oriented with the flat area indicated in the drawing facing the fence.

Operation



To create strong joints, you'll adjust machine settings to match the thickness of the workpiece and the length of the screw. The Foreman makes this easy, in just four simple steps:

(1) Position the Fence for Workpiece Thickness

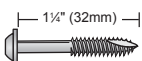
For a strong joint, the pocket screw should exit at the center of the workpiece thickness. This is accomplished by adjusting the fence position.

Unlock the fence (16) by rotating the fence-lock handles (15) counterclockwise. Align the rear edge of the fence with the workpiece thickness marks (19) cast into the machine top (12) that correspond to your workpiece thickness. Rotate the handles clockwise to lock the fence in place.

Screw Length Selection Guide

Material Thickness	Screw Length
½" [13 mm]*	1" [25 mm]**
⅝" [16 mm]	1" [25 mm]
¾" [19 mm]	1½" [32 mm]
⅞" [22 mm]	1½" [38 mm]
1" [25 mm]	1½" [38 mm]
1⅛" [29 mm]	1½" [38 mm]
1¼" [32 mm]	2" [51 mm]
1⅜" [35 mm]	2" [51 mm]
1½" [38 mm]	2½" [64 mm]

*Panhead pocket screw recommended. When using optional Micro-Pocket™ Drill Guide, ¾" screws are recommended for ½" material. See Micro Owner's manual.



Note: Screw length is measured from bottom of the head to the tip of the screw.

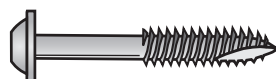
(2) Choose a screw

Kreg offers a complete line of pocket screws for every workpiece thickness and type. Use this guide to select the correct screw length. All Kreg pocket screws are available at your Kreg dealer or online at www.kregjig.com.



Coarse Thread

Due to the large diameter and thread pitch, our #8 coarse-thread screws offer a strong hold in softwoods and composite materials such as plywood, particleboard, and MDF.



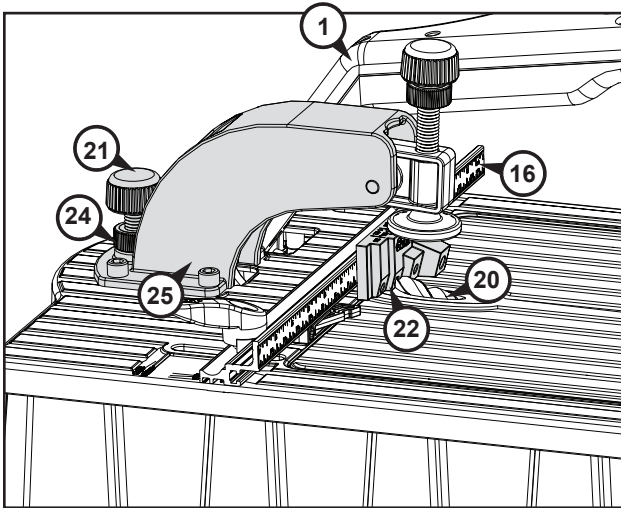
Fine Thread

Because the smaller diameter and thread pitch of our #7 fine-thread screws reduce the chance of splitting the material, we recommend them for hardwoods.

Using the Drilling-Depth Setting Block

Drill Guide & Bit	Material Thickness	Screw Length	Setting Block Step
Micro*	1/2"	3/4"	3/4"
Micro* & Standard	5/8" – 1 1/8"	1", 1 1/4", 1 1/2"	1", 1 1/4", 1 1/2"
Standard	1 1/4" – 1 3/8"	2"	2"
Standard & HD*	1 1/2"	2 1/2"	2 1/2"

*optional accessories

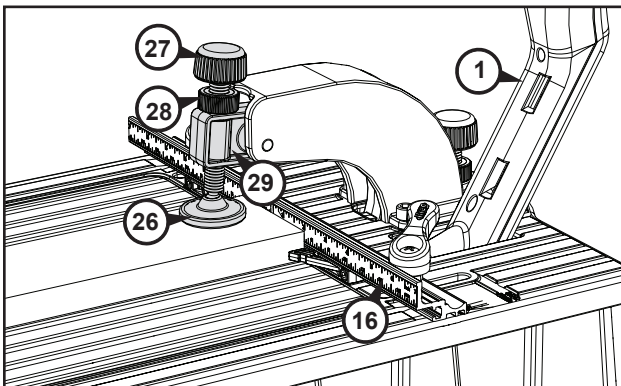


(3) Set the drilling depth

Pull the control arm (1) down, advancing the drill bit (20) until the tip touches the fence (16). If necessary, turn the drilling-depth stop knob (21) counterclockwise. Return the control arm to the full-up position, retracting the bit.

Place the drilling-depth setting block (22) against the fence with the screw-length marks facing up. Center the block step that corresponds to the length of screw you'll be using on the drill guide (23). Pull down on the control arm, inserting the drill-bit pilot tip into the hole in the step. With the drill-bit shoulder against the block step, turn the drilling-depth stop knob (21) clockwise until it stops. Tighten the depth-stop jam nut (24) against the base of the clamp-arm housing (25). Return the control arm to the full-up position.

Note: When re-locking the control arm for transportation or storage, turn the depth-stop knob counterclockwise to allow the arm to return to the full-down position.

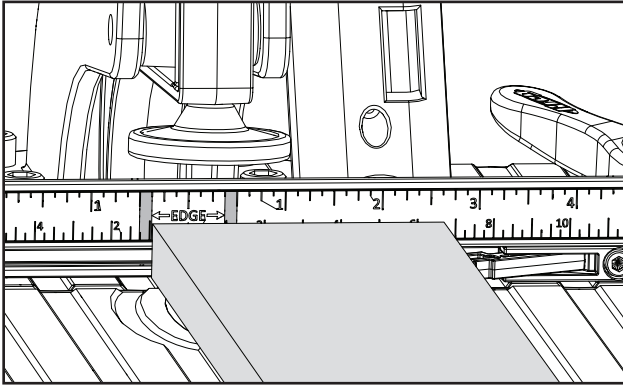


(4) Adjust the workpiece clamp

Raise the control arm (1) to the full-up position. Place the workpiece against the fence (16) and under the clamp pad (26). Turn the clamp adjustment knob (27) clockwise until the clamp pad contacts the workpiece. Now turn the knob counterclockwise one-half turn. Tighten the clamp jam nut (28) against the clamp arm (29). The clamp is now positioned so lowering the control arm applies sufficient pressure to secure the workpiece before the drill bit enters the wood.

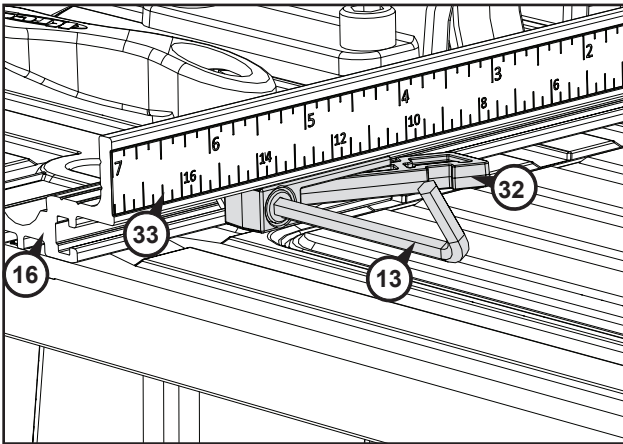
Drilling pocket holes

When using the chip-collection system, connect a shop vacuum to the vacuum port (5) and turn it on. Hold the workpiece securely against the fence (16) with the pocket-hole location centered on the drill guide (23). Depress the switch lock-out button (30) on the control arm (1) and pull the switch (31), turning on the drill motor. Let the motor reach full speed and pull the control arm down in a smooth motion until the depth stop makes contact. Return the control arm to the full-up position and release the switch.



Pocket-hole placement

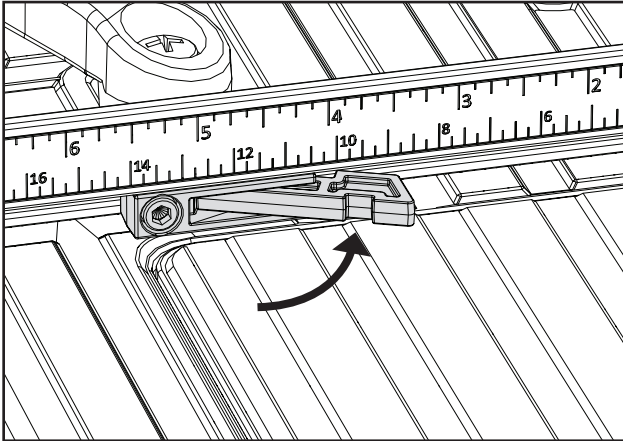
In addition to the proper machine settings, proper spacing of pocket holes in the workpiece is important for making a strong joint. For narrow parts such as rails, stiles and frames, locate pocket holes $\frac{3}{8}$ " to $\frac{1}{2}$ " from each edge. Shaded lines on the measuring tape indicate this offset, eliminating the need to mark pocket-hole locations. Simply align the edge of your workpiece with the shaded line and drill. For wide parts such as panels and table tops, place the first pocket hole 2" from the edge and every 6" on center after that.



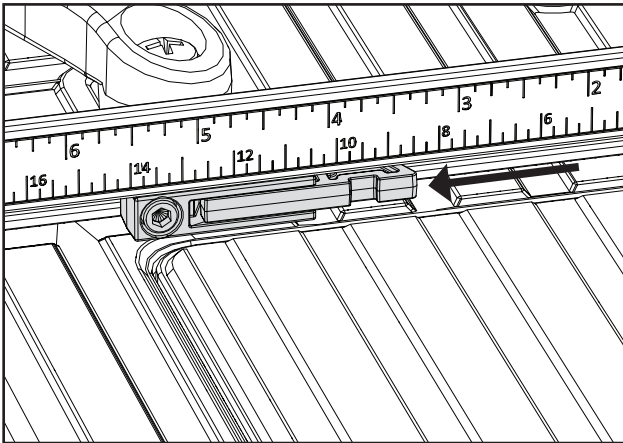
Workpiece stops

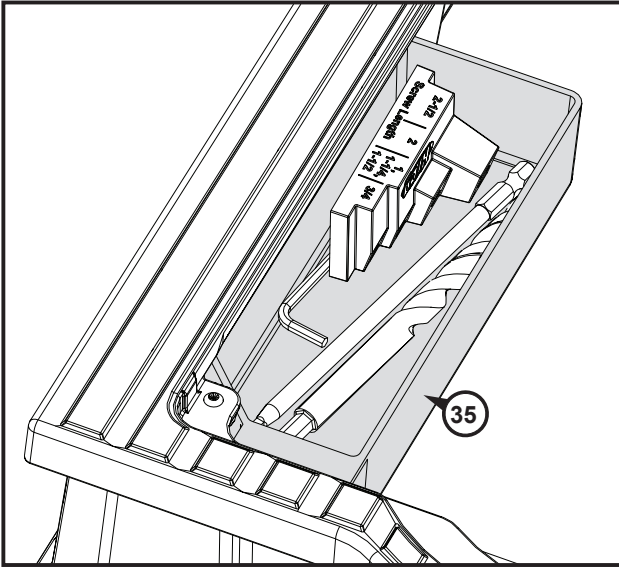
A workpiece stop can be used on either side of the drill guide by sliding it out of the fence T-slot, flipping it over so the open end of the stop arm faces center, and reinstalling it in the T-slot.

Loosen the socket-head bolt on the workpiece stop (32) with the 3mm hex wrench (13), slide the stop to the desired location, and tighten the bolt. Keeping the fence (16) centered side to side allows you to use the center-reading measuring tape (33) to position the stops. Override a stop by placing the workpiece over the stop, pressing the spring-loaded stop arm into the stop body. To reactivate the stop arm, slide it away from the bolt.



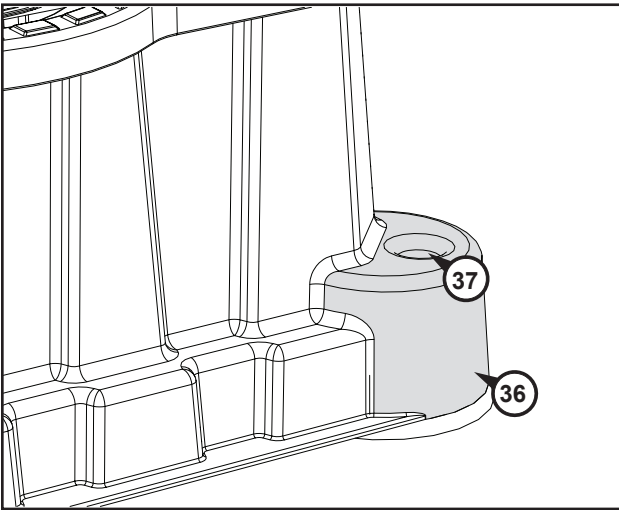
Each stop arm can be held in the retracted position by pressing the arm into the stop body and then sliding it toward the socket-head bolt that secures the stop in the fence. The notch in the arm provides a grip point. To reactivate the stop arm, slide it away from the bolt.





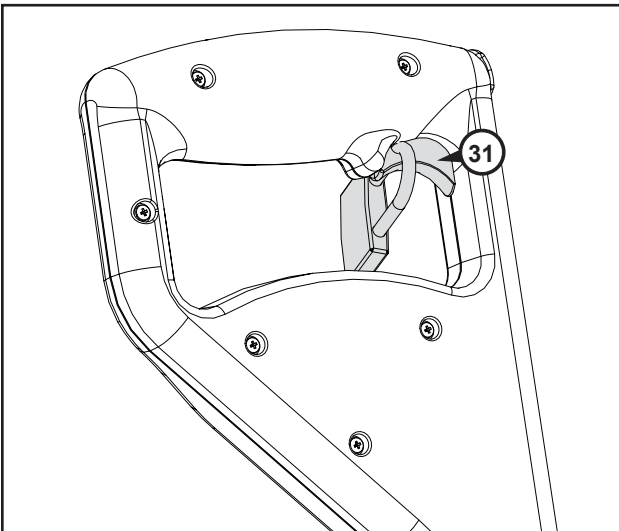
Accessory storage

You can store the hex wrench (13), #2 square driver bit (34), and optional Micro and HD drill guides and bits in the accessory tray (35) located under the access panel (11).



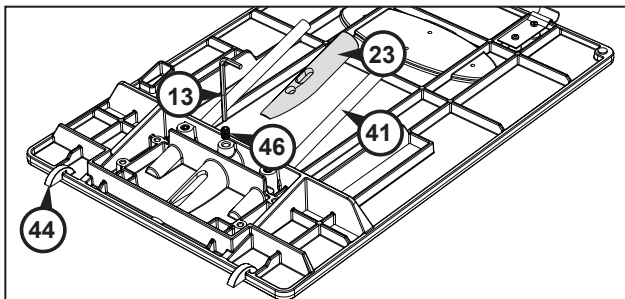
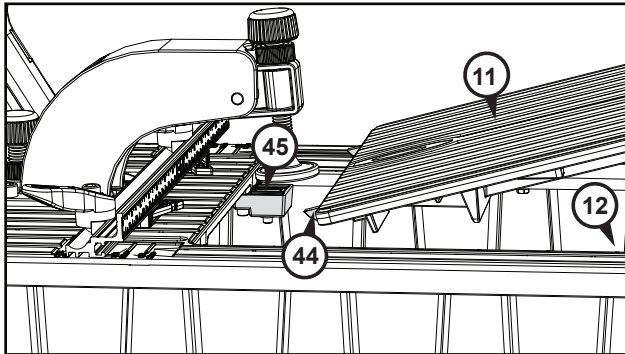
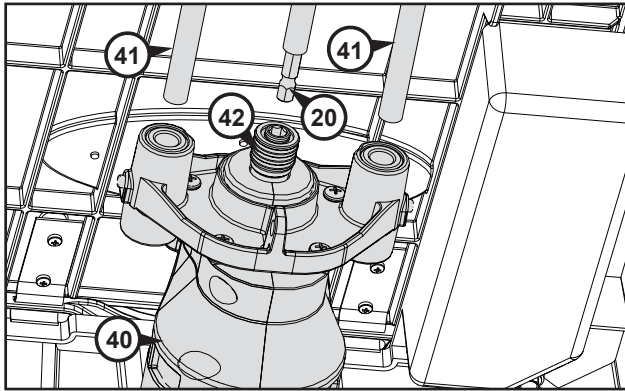
Secure mounting

For flexibility in securing your Foreman to a work surface, the foot (36) at each corner of the machine base features a flat surface for temporarily clamping the machine to a work bench as well as a mounting hole (37) for more permanent attachment. (The holes accept #14 x 2½" Kreg HD pocket-hole screws.)



Switch lock-out

To prevent unauthorized use of the machine, a hole through the switch (31) allows it to be locked in the off position with a padlock (not included).



Replacing a drill bit or installing a drill bit and drill-guide set

Use the appropriate procedure below when replacing a drill bit or installing the optional Micro or HD drill bits and drill guides.

To protect the workpiece stops (32) when opening the access panel (11), release the fence-lock handles (15) and move the fence (16) all the way back. Turn the clamp adjustment knob (27) counterclockwise to raise the clamp pad (26). Open the access panel and engage the panel support (38). Remove the link-release pin (39) and slide the motor (40) off the guide rods (41).

To replace the drill bit (20), pull the quick-change chuck (42) collar forward and remove the drill bit. Insert the new drill bit hex shank into chuck, and release the collar. Slide the motor onto the guide rods, inserting the drill bit into the drill guide (23). Align the motor link (43) with the link hole on the motor, and insert the link-release pin. Disengage the access panel support and close the panel.

When switching to the optional Micro or HD drill and guide, change the drill bit as instructed above. Then disconnect the vacuum hose (10) from the vacuum shroud (7). Lift the access panel off the machine, disengaging the hinge pivots (44) on the access panel from the pivot sockets (45) on the machine top (12).

Place the access panel upside down on a flat surface (for example, a tablesaw table). Loosen the drill-guide set screw (46) with the 3mm hex wrench (13) and remove the drill guide. Firmly holding the access cover against the flat surface, slide the new drill guide into the opening, rotate it so the angled face is against the flat surface, and tighten the set screw.

Install the access panel on the machine and engage the panel support. Reconnect the vacuum hose to the vacuum shroud. Slide the motor onto the guide rods, inserting the drill bit into the drill guide. Connect the motor link (43) to the motor with the link-release pin and close the cover.

Maintenance

1. Keep the motor clean and the machine base free of wood chips and dust. When used without a shop vacuum, routinely remove waste material from inside the cabinet or mount the machine on an open stand that prevents waste-material accumulation.
2. Periodically lubricate the guide rods with a dry-film lubricant such as Dri-Tool™ Lubricant from Empire Manufacturing. A dry film lubricant will not collect wood chips and dust and will extend the life of the bearings and the guide rods. The motor link and linkage associated with the clamping mechanism should be lubricated periodically to ensure free movement.

3. Use a sharp drill bit. You can drill between 4,000 and 5,000 holes in oak before sharpening the bit. Adjust your sharpening schedule for your settings and the material that you are drilling. Keeping the drill bit clean and free of pitch, resin, and glue significantly extends the life of the bit. Periodically clean the drill bit with a cleaner such as Blade Saver™ and apply a dry lubricant such as OptiCut-XL™, both from Empire Manufacturing. Even a dirty drill bit can be very sharp, so exercise caution when handling the cutting edges.

Kreg offers a sharpening service for Standard pocket-hole drill bits only. Call or e-mail customer service at 800.447.8638 / customerservice@kregtool.com for details.

Motor service

To ensure product safety and reliability, all motor repairs should be performed by the Kreg Tool Company factory service center. Call Kreg Customer Service (800.447.8638) for return authorization and shipping instructions.

Replacement parts

For a diagram and list of replacement parts and assemblies, go to www.kregtool.com and view the online version of this manual.

Tips

6 Tips to reduce splitting

1. Test Pieces

Test the joint with scrap pieces cut from the same stock as your final workpiece.

2. Make sure you're using Kreg Screws

Kreg screws feature sharp, self-tapping tips that slice through the wood fibers instead of forcing them apart.

3. Use the Right Screw Type

Use fine-thread screws in hardwood. These #7 screws displace less wood than the #8 coarse-thread screws used for softwood, plywood, MDF, and particleboard.

4. Screw it In, Back it Out

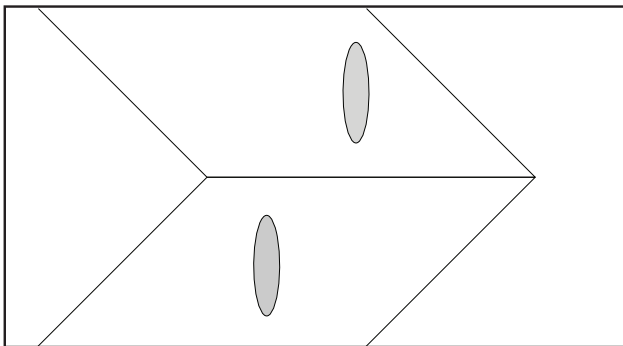
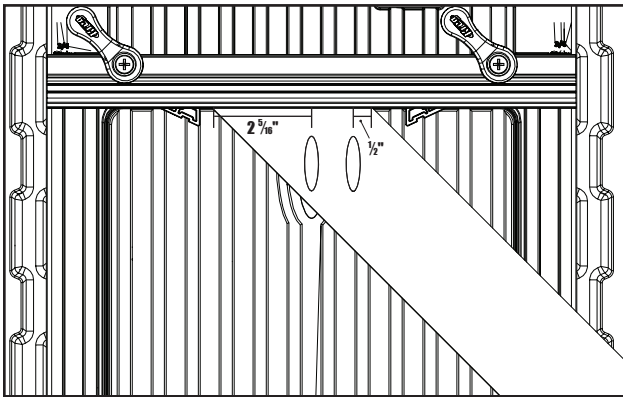
Drive the screw half-way in, back it out to clear excess wood fibers from the hole, and then drive the screw all the way in.

5. Reduce Friction

Apply bee's wax or other lubricant to the screw to reduce the friction as the screw enters the workpiece.

6. Clamp Correctly

Center the pads of your Kreg Face Clamp™ on the joint line with the large clamp pad on the face opposite the pocket holes. Adjust the clamp to apply enough pressure to keep the workpieces flush and stable but not so tight to make clamping difficult.



Mitered corners

Two pocket holes with our recommended $\frac{9}{16}$ " center-to-center spacing fit entirely on the face of $\frac{3}{4}$ "-thick boards at least $2\frac{3}{8}$ " wide. Simply set up the machine for $\frac{3}{4}$ "-thick stock. Then with the mitered end of the workpiece against the fence, drill one hole $\frac{7}{16}$ " from the miter heel and a second hole $2\frac{5}{16}$ " from the miter toe.

You also can drill one pocket hole on each side of a miter joint rather than drilling both holes on the same side.

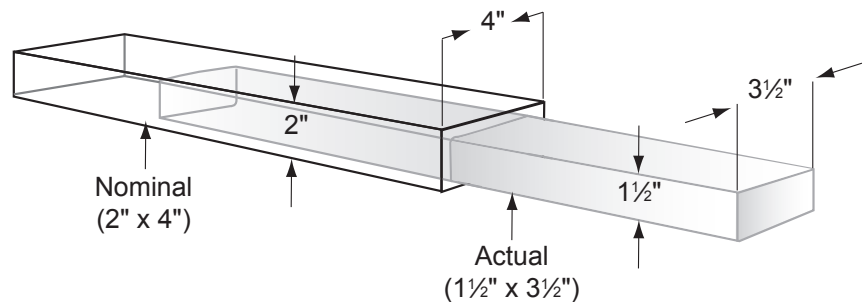
Common Board Sizes

Nominal Size	Actual Size
1x2	$\frac{3}{4}$ " x $1\frac{1}{2}$ "
1x3	$\frac{3}{4}$ " x $2\frac{1}{2}$ "
1x4	$\frac{3}{4}$ " x $3\frac{1}{2}$ "
1x6	$\frac{3}{4}$ " x $5\frac{1}{2}$ "
1x8	$\frac{3}{4}$ " x $7\frac{1}{4}$ "
2x2	$1\frac{1}{2}$ " x $1\frac{1}{2}$ "
2x4	$1\frac{1}{2}$ " x $3\frac{1}{2}$ "
2x6	$1\frac{1}{2}$ " x $5\frac{1}{2}$ "
2x8	$1\frac{1}{2}$ " x $7\frac{1}{4}$ "
4x4	$3\frac{1}{2}$ " x $3\frac{1}{2}$ "
6x6	$5\frac{1}{2}$ " x $5\frac{1}{2}$ "

Nominal size vs. actual size

At a lumber yard or home center you'll see labels on lumber such as "1x6" and "2x4." These "nominal" sizes once described the dimensions of rough-cut lumber before it was milled to finished or actual size. Actual size is always less than nominal size.

The board-thickness marks on your Kreg Jig refer the actual thickness of the board. For example, a 1x4 is actually $\frac{3}{4}$ " thick, so you'll set your jig to the $\frac{3}{4}$ " mark.



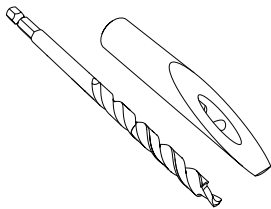
Optional Accessories

Available from your Kreg dealer or online at www.kregtool.com.

Micro Pocket™ Drill Guide and Drill Bit

ITEM# DB210-MBB

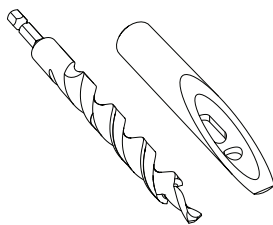
With a hole diameter 25% smaller than our standard pocket hole, the Micro Pocket™ Drill Guide lets you create compact pocket holes in thin stock, and tight repair applications.



Kreg Jig® HD Drill Guide and Drill Bit

ITEM# DB210-HDBB

Designed for use with "2-by" material, this heavy-duty system drill holes for #14 x 2½" pocket screws.



HD Drill Bit

ITEM# DB210-HDB

Replacement drill bit for the DB210 Foreman G2



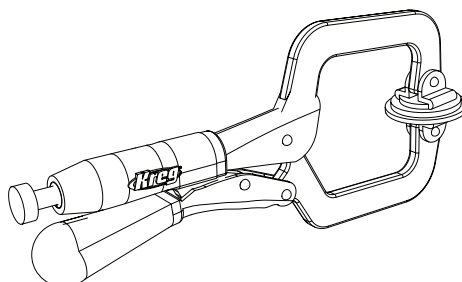
Kreg Face Clamps™

ITEM# KHC-PREMIUM (3" reach),

ITEM# KHC-LARGE (6" reach),

ITEM# KHC-XLARGE (10" reach)

With a choice of 3"-, 6"-, and 10" reach, there's a Kreg Face Clamp™ that meets your needs.



Foreman DB210 Semi-Automatic Pocket Hole Machine

Kreg Tool Company warrants the Foreman DB210 Semi-Automatic Pocket Hole Machine to be free of defects in materials and workmanship for a period of one (1) year from the date of delivery to the original purchaser. Drill guide supplied with the machine is warranted for life. This warranty is for purchases from authorized distributors of Kreg products and extends only to the original purchaser. This warranty is not transferable.

During the warranty period, Kreg Tool Company, at its option, will repair or replace the machine or any component part thereof proving defective. This warranty applies only to use in accordance with all instructions pertaining to operation, maintenance, and safety set forth in catalogs, manuals, and instructions furnished by Kreg Tool Company.

This warranty does not apply to:

- (1) Normal wear and tear, corrosion, abrasion, or repairs required due to natural causes or acts of God.
- (2) Items that would be consumed or require replacement due to normal wear.
- (3) The cost of removal of components if such removal is authorized by Kreg Tool Company.
- (4) Shipment to the Kreg Tool Company repair facility.
- (5) Reinstallation of parts removed for warranty service.

This warranty is null and void if the product has been subjected to:

- (1) Misuse, abuse, improper service, or improper storage.
- (2) Damage resulting from accident, neglect, or other circumstances beyond Kreg Tool Company control.
- (3) Modifications, disassembly, tampering, alterations, or repairs made outside of Kreg Tool Company facilities without Kreg Tool Company authorization.
- (4) Removal of the original serial-number tag.

To obtain warranty service, contact Kreg Tool Company at:

Kreg Tool Company
201 Campus Drive
Huxley, IA 50124
800.447.8638

DO NOT RETURN THE MACHINE TO THE DEALER FOR WARRANTY SERVICE. Proof of purchase is required before remedy will be provided under the terms of this warranty. Kreg Tool Company assumes no responsibility for products returned without prior authorization. Kreg Tool Company obligations under this warranty shall be limited to repairing or replacing, at Kreg Tool Company option, products which are determined, upon delivery to and inspection by Kreg Tool Company, to be defective. Under no circumstance shall Kreg Tool Company be liable for incidental or consequential damages resulting from defective products, nor shall Kreg Tool Company liability exceed the price paid for the product by the original purchaser.

This is the Kreg Tool Company sole warranty. Any and all other warranties which may be implied by law, including any warranties for merchantability or fitness for a particular purpose, are hereby limited to the duration of this warranty. Kreg Tool Company shall not be liable for any loss, damage or expense directly or indirectly related to the use of this product or from any other cause or for consequential damages, including without limitation, loss of time, inconvenience, and loss of production. The warranty contained herein may not be modified and no other warranty, expressed or implied, shall be made by or on behalf of Kreg Tool Company.

This warranty is in effect only if the accompanying registration card is fully and properly completed and returned to Kreg Tool Company within ten (10) days of date of delivery to the original purchaser.

Keep this form for your records.

The following information will be useful in the event warranty service is required. Keep a copy of your purchase invoice with this form.

Date of Purchase: ____/____/____

Purchased From:

Serial Number (located on the side of the machine):

