

Original Instruction Manual

RSBG6 6" Bench Grinder

71050 (UK version), 71051 (EP version) and 71052 (Aus version)

RSBG8 8" Bench Grinder

71550 (UK version), 71551 (EP version) and 71552 (Aus version)

Version 3.2

January 2019



RSBG8 shown



To register this product please visit
www.recordpower.info

It is important to register your product as soon as possible in order to receive efficient after sales support and be entitled to the full **5 year guarantee**. Your statutory rights are not affected. Please see back cover for contact details.



Always wear safety glasses when using woodworking equipment.



Always read the instructions provided before using woodworking equipment.

Important

For your safety read instructions carefully before assembling or using this product.

Save this manual for future reference.

Contents

- 1** Explanation of Symbols
 - 2** General Health and Safety Guidance
 - 3** Additional Health and Safety Guidance for Bench Grinders
 - 4** Record Power Guarantee
 - 5** Specifications
 - 6** Features of the Grinders
 - 7** Contents of the Package
 - 8** Assembly
 - 9** Operation
 - 10** Maintenance
 - 11** Dust Extraction
 - 12** Electrical Connection and Wiring Diagram
 - 13** Parts List and Diagram
- EU Declaration of Conformity

1. Explanation of Symbols

THE SYMBOLS AND THEIR MEANINGS SHOWN BELOW MAY BE USED THROUGHOUT THIS MANUAL. PLEASE ENSURE THAT YOU TAKE THE APPROPRIATE ACTION WHEREVER THE WARNINGS ARE USED.

Mandatory Instructions



Read and fully understand the instruction manual before attempting to use the machine.



Indicates an instruction that requires particular attention



Wear protective eyewear



Use respiratory protective equipment



Use hearing protection



Use suitable protective footwear



Use protective work gloves

Warning



Indicates a risk of severe personal injury or damage to the machine



Indicates a risk of severe personal injury from electrical shock



Risk of personal injury from lifting of heavy items



Indicates a risk of severe personal injury from airborne objects



Risk of fire

2. General Health and Safety Guidance

Ensure that you carefully read and fully understand the instructions in this manual before assembly, installation and use of this product. Keep these instructions in a safe place for future reference.

WARNING: for your own safety, do not attempt to operate this machine until it is completely assembled and installed according to these instructions.

WARNING: When using any machine, basic safety precautions should always be followed to reduce the risk of fire, electric shock and personal injury.

Safe Operation

1. Use Personal Protective Equipment (PPE)

- The operation of any machine can result in foreign objects being thrown into your eyes, which can result in severe eye damage. Protective eyewear or other suitable eye protection or face shield should be used at all times. Everyday spectacles only have impact resistant lenses. They are not protective eyewear and do not give additional lateral protection.
- Use respiratory protective equipment (dust mask etc.) if the machining operation creates dust. Exposure to high levels of dust created by machining hardwoods, softwoods and man made composite boards can result in serious health problems. Some imported hardwoods give off highly irritating dust, which can cause a burning sensation. The use of respiratory protective equipment should not be seen as an alternative to controlling the risk of exposure at source by using adequate dust extraction equipment.
- The use of ear plugs or ear defenders is recommended when the machine is in use, particularly if the noise level exceeds 85 dB.
- Wear suitable protective gloves when handling cutting tools or blades. Gloves should NOT be worn when using the machine as they can be caught in moving parts of the machine.
- Non-slip safety footwear is recommended when using the machine and handling large work pieces.

2. Dress appropriately

- Do not wear loose clothing, neckties or jewellery; they can be caught in moving parts of the machine.
- Roll up long sleeves above the elbow.
- Wear protective hair covering to contain long hair.

3. Safety warnings

- Find and read any warning labels on the machine.
- It is important that any labels bearing health and safety warnings are not removed, defaced or covered. Replacement labels can be obtained by contacting our Customer Service Department.

4. Familiarise yourself with the machine

- If you are not thoroughly familiar with the operation of this machine, obtain advice from your supervisor, instructor, or other qualified person or contact your retailer for information on training courses. Do not use this machine until adequate training has been undertaken.

5. Take care when moving or positioning the machine

- Some machines can be very heavy. Ensure the floor of the area in which the machine is to be used is capable of supporting the machine.
- The machine and its various components can be heavy. Always adopt a safe lifting technique and seek assistance when lifting heavy components. In some cases it may be necessary to use mechanical handling equipment to position the machine within the work area.
- Some machines have optional wheel kits available to allow them to be manoeuvred around the workshop as required. Care should be taken to install these according to the instructions provided.
- Due to the nature of the design of some machines the centre of gravity will be high making them unstable when moved. Extreme care should be taken when moving any machine.
- If transportation of the machine is required then all precautions relating to the installation and handling of the machine apply. In addition, ensure that any vehicles or manual handling equipment used for transportation are of adequate specification.

6. The machine should be level and stable at all times

- When using a leg stand or cabinet base that is designed to be fitted to the machine, always ensure that it is securely fastened to the machine using the fixings provided.
- If the machine is suitable to be used on a workbench, ensure that the workbench is well constructed and capable of withstanding the weight of the machine. The machine should always be securely fastened to the workbench with appropriate fixings.
- Where possible, floor standing machines should always be secured to the floor with fixings appropriate to the structure of the floor.
- The floor surface should be sound and level. All of the feet of the machine should make contact with the floor surface. If they do not, either re-locate the machine to a more suitable position or use packing shims between the feet and the floor surface to ensure the machine is stable.

7. Remove adjusting keys and wrenches

- Ensure that all adjusting wrenches and keys are removed before switching the machine 'ON'. There is a risk of severe personal injury or damage to the machine from airborne objects.

8. Before switching the machine 'ON'

- Clear the machine table of all objects (tools, scrap pieces etc.)
- Make sure there is no debris between the work piece and the table / work support.
- Ensure that the work piece is not pressed against, or touching the saw blade or cutting tool.
- Check all clamps, work holding devices and fences to ensure that they are secure and cannot move during machining operations.
- Plan the way that you will hold and feed the work piece for the entire machining operation.

9. Whilst machining

- Before starting work, watch the machine while it runs. If it makes an unfamiliar noise or vibrates excessively, switch the machine 'OFF' immediately and disconnect it from the power supply. Do not restart until finding and correcting the source of the problem.

10. Keep the work area clear

- Working clearances can be thought of as the distances between machines and obstacles that allow safe operation of every machine without limitation. Consider existing and anticipated machine needs, size of material to be processed through each machine and space for auxiliary stands and/or work tables. Also consider the relative position of each machine to one another for efficient material handling. Be sure to allow yourself sufficient room to safely operate your machines in any foreseeable operation.
- Cluttered work areas and benches create the risk of accidents. Keep benches clear and tidy away tools that are not in use.
- Ensure that the floor area is kept clean and clear of any dust and debris that may create trip or slip hazards.

11. Consider the work area environment

- Do not expose the machine to rain or damp conditions.
- Keep the work area well lit and ensure that there is artificial lighting available when there is insufficient natural light to effectively light the work area. Lighting should be bright enough to eliminate shadow and prevent eye strain.
- Do not use the machine in explosive environments e.g. in the presence of flammable liquids, gases or dust.
- The presence of high levels of dust created by machining wood can present a risk of fire or explosion. Always use dust extraction equipment to minimise the risk.

12. Keep other persons away (and pets)

- The machine is designed to be used by one person only.
- Do not let persons, especially children, touch the machine or extension cable (if used) and keep visitors away from the work area.
- Never leave the machine running unattended. Turn the power supply off and do not leave the machine unattended until it comes to a complete

2. General Health and Safety Guidance

stop.

- If the work area is to be left unattended, all machinery should be switched 'OFF' and isolated from the mains power supply.

13. Store machines safely when not in use

- When not in use, machines should be stored in a dry place, out of reach of children. Do not allow persons unfamiliar with these instructions or with the machine to operate it.

14. Do not overreach

- Choose a working position that allows your body to remain balanced and feed the work piece in to the machine without overreaching.
- Keep proper footing and balance at all times.

15. Electrical supply

- Electrical circuits should be dedicated to each machine or large enough to handle combined motor amp loads. Power outlets should be located near each machine so that power or extension cables are not obstructing high-traffic areas. Observe local electrical guidelines for proper installation of new lighting, power outlets or circuits.
- The machine must be connected to an earthed power supply.
- The power supply must be equipped with a circuit breaker that provides short circuit, overload and earth leakage protection.
- The voltage of the machine must correspond to the voltage of the mains power supply.
- The mains plug fitted to the machine should always match the power outlet. Do not modify the plug in any way. If a replacement plug is required it should be fitted by a competent person and of the correct type and rating for the machine.
- If you are unsure about any electrical connections always consult a qualified electrician.

16. Avoid unintentional starting of the machine

- Most machines are fitted with a no-volt release (NVR) switch to prevent unintentional starting. If in doubt always ensure the machine switch is in the 'OFF' position before connecting it to the power supply. This means the machine will not automatically start up after a power cut or switching on of the power supply, unless you first reset the start switch.

17. Outdoor use

- Your machine should not be used outdoors.

18. Extension cables

- Whenever possible, the use of extension cables is not recommended. If the use of an extension cable is unavoidable, then it should have a minimum core cross section of 2.5 mm² and limited to a maximum length of 3 metres.
- Extension cables should be routed away from the direct working area to prevent a trip hazard.

19. Guard against electric shock

- Avoid body contact with earthed or grounded surfaces such as pipes and radiators. There is an increased risk of electric shock if your body is earthed or grounded.

20. Always work within the machine's intended capacities

- Operator safety and machine performance are seriously adversely affected if attempts to make the machine perform beyond its limits are made.

21. Do not abuse the power cable

- Never pull the power cable to disconnect it from the power socket. Always use the plug.
- Keep the power cable away from heat, oil and sharp edges.
- Do not use the power cable for carrying or moving the machine.

22. Secure the work piece

- Ensure that the work piece is securely held before starting to machine it.
- When working within 300 mm of the machining area, always use a push stick to feed the work piece in to the blade or cutting tool. The push stick should have a minimum length of 400 mm. If the push stick becomes damaged, replace it immediately.
- Use extra supports (roller support stands etc.) for any work pieces large

enough to tip when not held down to the table top.

- Do not use another person as a substitute for a table extension, or as additional support for a work piece that is longer or wider than the basic table, or to help feed, support, or pull the work piece.
- Do not attempt to machine more than one work piece at a time.
- When feeding the work piece towards the blade or cutting tool never position your hands in direct line of the cutting path. Avoid awkward operations and hand positions where a sudden slip could cause your hand or fingers to move into the machining area.

23. Stay alert

- Safety is a combination of operator common sense and alertness at all times when the machine is being used.
- Use all machines with extreme care and do not use the machine when you are tired or under the influence of drugs, alcohol or medication.

24. Use the correct tool for the job

- Do not use the machine for any purpose other than which it was designed.
- When selecting replacement cutting tools and blades, always ensure that they are designed to cut the material that you intend to use them for. If in any doubt seek further advice from the manufacturer.

25. Connect dust extraction equipment

- Always use dust extraction equipment. The dust extractor should be of suitable size and capacity for the machine that it is connected to and have a filtration level appropriate to the type of waste being collected. Refer to the relevant section of the manual for details of the specific dust extraction requirements for this machine.
- The dust extractor should be switched 'ON' before starting the machine that it is connected to. The dust extractor should be left running for 30 seconds after the last machining operation is complete in order to clear any residual waste from the machine.

26. Ensure that the machine is correctly guarded

- Never use the machine if any of the standard safety guards and equipment are removed or damaged.
- Some machines incorporate safety interlocks to prevent the machine from being used without the guards in place. Never attempt to bypass or modify the interlocks to allow the machine to be used without the guards in place.

27. Maintain your machine with care

- This manual gives clear instructions on installation, set up and operation of the machine and also details any routine and preventative maintenance that should be performed periodically by the user.
- Remember always to switch off and unplug the machine from the power supply before carrying out any setting up or maintenance operations.
- Follow any instructions for the maintenance of accessories and consumables.
- Do not use compressed air to clean the machine. Always use a brush to dislodge dust in places that are awkward to reach and a dust extractor to collect the waste.
- Inspect electric cables periodically and, if damaged, have them replaced by an authorised service facility or qualified electrician.
- Inspect extension cables (if used) periodically and replace if damaged.

28. Keep cutting tools sharp and clean

- Correctly maintained cutting tools are easier to control and less likely to bind.
- Cutting tools and blades can become hot during use. Take extreme care when handling them and always allow them to cool before changing, adjusting or sharpening them.

29. Disconnect the machine from the power supply

- When not in use, before servicing, changing blades etc. always disconnect the machine from the power supply.

30. Check for damaged parts

- Before each use of the machine, it should be carefully checked to determine that it will operate properly and perform its

2. General Health and Safety Guidance

intended function.

- Check for alignment of moving parts, binding of moving parts, breakage of parts and any other conditions that may affect the operation of the machine.
- A guard or other part that is damaged should be properly repaired or replaced by a qualified person unless otherwise indicated in this instruction manual.
- Do not use the machine if the switch does not turn the machine 'ON' and 'OFF'.
- Have defective switches replaced by a qualified person.

31. Warning!

- The use of any accessory or attachment, other than those recommended in this instruction manual, or recommended by our Company may present a risk of personal injury or damage to the machine and invalidation of the warranty.

32. Have your machine repaired by a qualified person

- This machine complies with the relevant safety rules and standards appropriate to its type when used in accordance with these instructions and with all of the standard safety guards and equipment in place. Only qualified persons using original spare parts should carry out repairs. Failure to do this may result in considerable danger to the user and invalidation of warranty.

33. Caution! Motor may become hot during use

- It is normal for motors on some machines to become hot to the touch during use. Avoid touching the motor directly when in use.

3. Additional Health and Safety Guidance for Bench Grinders

Safe Operation

- The bench grinder should be level and stable at all times.
- Never attempt to lift the grinder while the wheels are in motion – the centrifugal force created by the rotating stones can cause the machine to be unstable and could cause serious personal injury.

2. Familiarise Yourself with the Machine

- Machining operations using bench grinders or grinding wheels have a history of serious accidents. Most serious accidents are caused by breakage of the grinding wheel due to damage, poor maintenance or incorrect mounting of the stone. Other accidents involve contact with the grinding wheel whilst running and sparks or waste material being thrown from the grinder.
- The risk of breakage is inherent in every abrasive wheel. Always handle grinding wheels with extreme care. They are brittle and the slightest impact can cause fractures within the stone.
- This machine is designed for the grinding and sharpening of tools and general purpose grinding of objects made from metal or alloy. Do not attempt to grind items made from any other material.

3. Before Switching the Machine ON

- Check that the tool rests and spark guards are correctly adjusted for the grinding application being undertaken and that the fixings are secure. The spark guards and tool rests need to be close to the grinding wheel and will need regular adjustment as the wheel wears. The gap between the tool rest and grinding wheel should never be more than 2 mm.
- Visually check the grinding wheel for signs of damage or excessive wear. Check that the outer diameter of the wheel is greater than the minimum recommended diameters detailed in the manual. Replace any defective grinding wheels immediately.
- When fitting a new grinding wheel, it should first be inspected to ensure that it is not cracked or damaged. The new wheel should first be unpacked and cleaned with a brush and inspected for any obvious signs of damage. It should then be suspended from the central hole on a suitable dowel and gently tapped with a light, non-metallic object. If the wheel sounds dull, it may be cracked and should not be used. This test cannot be performed with the wheel already mounted on the machine.
- When fitting the grinding wheel to the machine, always ensure the clamping flanges are clean and free of any foreign bodies.
- When fitting any grinding wheel, ensure that there is a cardboard washer (known as a blotter) between each of the clamping flanges and the surface of the wheel. Never mount a wheel without the cardboard washers being in place. Replacement washers can be obtained by contacting our customer service department.
- Before fitting a replacement wheel, always check that it is the correct diameter and thickness to suit the machine and that the maximum speed rating on the wheel is higher than the maximum speed of the machine as detailed in the manual. Never attempt to modify a wheel to make it fit your machine.
- The bench grinder is only designed to accept grinding wheels of the correct size to fit inside the wheel housing of the machine. Do not fit other accessories such as polishing mops, wire wheels etc. that will not fit inside the wheel housing. Never use the machine without the wheel housing in place.
- Take care not to over tighten the locking nut to secure the grinding wheel. Over tightening the nut will cause uneven stress on the centre of the wheel and may cause it to crack.
- Never attempt to mount a grinding wheel without the original clamping flanges in place, or if the flanges are damaged.

4. Whilst Grinding

- Never stand directly in line with the grinding wheels when first starting the machine. Stand with your head and body to one side of the machine.
- Never grind on a new or cold wheel. Always let the machine run up to speed and run for a minute before applying work to it. If the machine vibrates excessively, switch the machine 'OFF' immediately. Do not use the machine until the cause of the vibration has been identified and rectified.
- Do not grind on the side of the wheel.
- Be aware that hot sparks can be a source of ignition. Never carry out grinding operations near flammable material or in an explosive environment (gas, liquid, vapors, dust etc).
- The work piece will become extremely hot after a very short period of contact with the grinding wheel. The work piece should be quenched regularly to prevent over heating. Do not touch the machined face of the work piece until you are sure that it has cooled sufficiently.
- Never apply coolant of any kind directly to the grinding wheel as it may adversely affect the bonding of the stone.
- The dust from abrasive wheels can be an irritant and a hazard to your health. Always use the machine in a well ventilated area and use additional respiratory protective equipment. Clean the machine regularly with a vacuum cleaner to remove waste material.
- Ensure that the work piece is applied to the tool rest before it is fed in to the grinding wheel. Unsupported work can catch on the grinding wheel and may be thrown from your hands.
- When grinding small work pieces, the use of jigs or fixtures to hold the work piece is recommended. Never try to machine an item that is too small to hold safely by hand.
- When switching the machine 'OFF' allow the stone to slow down naturally. Do not apply pressure to the stone in order to slow the machine down more quickly. Do not leave the machine until it has completely stopped.

5. Maintenance:

- The wheel will become glazed and the grinding face will need to be dressed to maintain efficient performance. Do not dress the side of the wheel.
- Regular truing or dressing of the grinding wheels will help reduce vibration of the machine, improve grinding efficiency and reduce the risk of injury caused by trapping of the work piece due to the wheel not being concentric.
- If using a dresser of the revolving cutter type, use the lugs provided on the dresser as an anchor against the tool rest of the machine to maintain even pressure to the grinding wheel.
- Ensure that the dressing tool does not become trapped between the tool rest and the grinding wheel.

6. This machine falls under the scope of the 'Health and Safety at Work etc. Act 1974', and the 'Provision and Use of Work Equipment Regulations 1998'. We recommend that you study and follow these regulations.

Further guidance can be found in the 'Safety in the use of abrasive wheels – publication HSG17' published by Health and Safety Executive and available from their website www.hse.gov.uk.

4. Record Power Guarantee

“**Products**” means the Products sold by Record Power subject to these terms and conditions;

“**Record Power**” is Record Power Limited, whose company registration number is 4804158 and registered office address is Centenary House, 11 Midland Way, Barlborough Links, Chesterfield, Derbyshire S43 4XA and sells through a network of Authorised Dealers;

“**Authorised Distributor**” is the nominated importer for your region who will generally sell through a network of Authorised Dealers. Details of Authorised Distributors for specific countries can be found in the Product manual or at www.recordpower.info;

“**Authorised Dealer**” is a retailer or business authorised to sell Record Power Products to end users.

1 Guarantee

1.1 Record Power guarantees that for a period of 5 years from the date of purchase the components of qualifying Products (see clauses 1.2.1 to 1.2.9) will be free from defects caused by faulty construction or manufacture.

1.2 During this period Record Power, its Authorised Distributor or Authorised Dealer will repair or replace free of charge any parts which are proved to be faulty in accordance with paragraphs 1.1 above provided that:

1.2.1 you follow the claims procedure set out in clause 2 below;

1.2.2 Record Power, our Authorised Distributor or Authorised Dealer are given a reasonable opportunity after receiving notice of the claim to examine the Product;

1.2.3 if asked to do so by Record Power, its Authorised Distributor or Authorised Dealer, you return the Product, at your own cost, to Record Power's premises or other approved premises such as those of the Authorised Distributor or supplying Authorised Dealer, for the examination to take place;

1.2.4 the fault in question is not caused by industrial use, accidental damage, fair wear and tear, wilful damage, neglect, incorrect electrical connection, abnormal working conditions, failure to follow our instructions, misuse, or alteration or repair of the Product without our approval;

1.2.5 the Product has been used in a domestic environment only;

1.2.6 the fault does not relate to consumable Products such as blades, bearings, drive belts or other wearing parts which can reasonably be expected to wear at different rates depending on usage (for full details contact Record Power or your local Authorised Distributor);

1.2.7 the Product has not been used for hire purposes, by you or by a previous owner;

1.2.8 the Product has been purchased by you as the guarantee is not transferable from a private sale.

1.2.9 where the Product has been purchased from a retailer, the 5

year guarantee is transferable and begins on the date of the first purchase of the Product and in the event of a claim under this guarantee proof of the original purchase date will be required to validate the warranty period.

2 Claims Procedure

2.1 In the first instance please contact the Authorised Dealer who supplied the Product to you. In our experience many initial problems with machines that are thought to be due to faulty parts are actually solved by correct setting up or adjustment of the machines. A good Authorised Dealer should be able to resolve the majority of these issues much more quickly than processing a claim under the guarantee.

2.2 Any damage to the Product resulting in a potential claim under the guarantee must be reported to the Authorised Dealer from which it was purchased within 48 hours of receipt.

2.3 If the Authorised Dealer who supplied the Product to you has been unable to satisfy your query, any claim made under this Guarantee should be made directly to Record Power or its Authorised Distributor (for details of the Authorised Distributor in your country please see your Product manual or check www.recordpower.info for details). The claim itself should be made in a letter setting out the date and place of purchase, and giving a brief explanation of the problem which has led to the claim. This letter should then be sent with proof of the purchase date (preferably a receipt) to Record Power or its Authorised Distributor. If you include a phone number or email address this will help to speed up your claim.

2.4 Please note that it is essential that the letter of claim reaches Record Power or its Authorised Distributor on the last day of this Guarantee at the latest. Late claims will not be considered.

3 Limitation of Liability

3.1 We only supply Products for domestic and private use. You agree not to use the Product for any commercial, business or re-sale purposes and we have no liability to you for any loss of profit, loss of business, business interruption or loss of business opportunity.

3.2 This Guarantee does not confer any rights other than those expressly set out above and does not cover any claims for consequential loss or damage. This Guarantee is offered as an extra benefit and does not affect your statutory rights as a consumer.

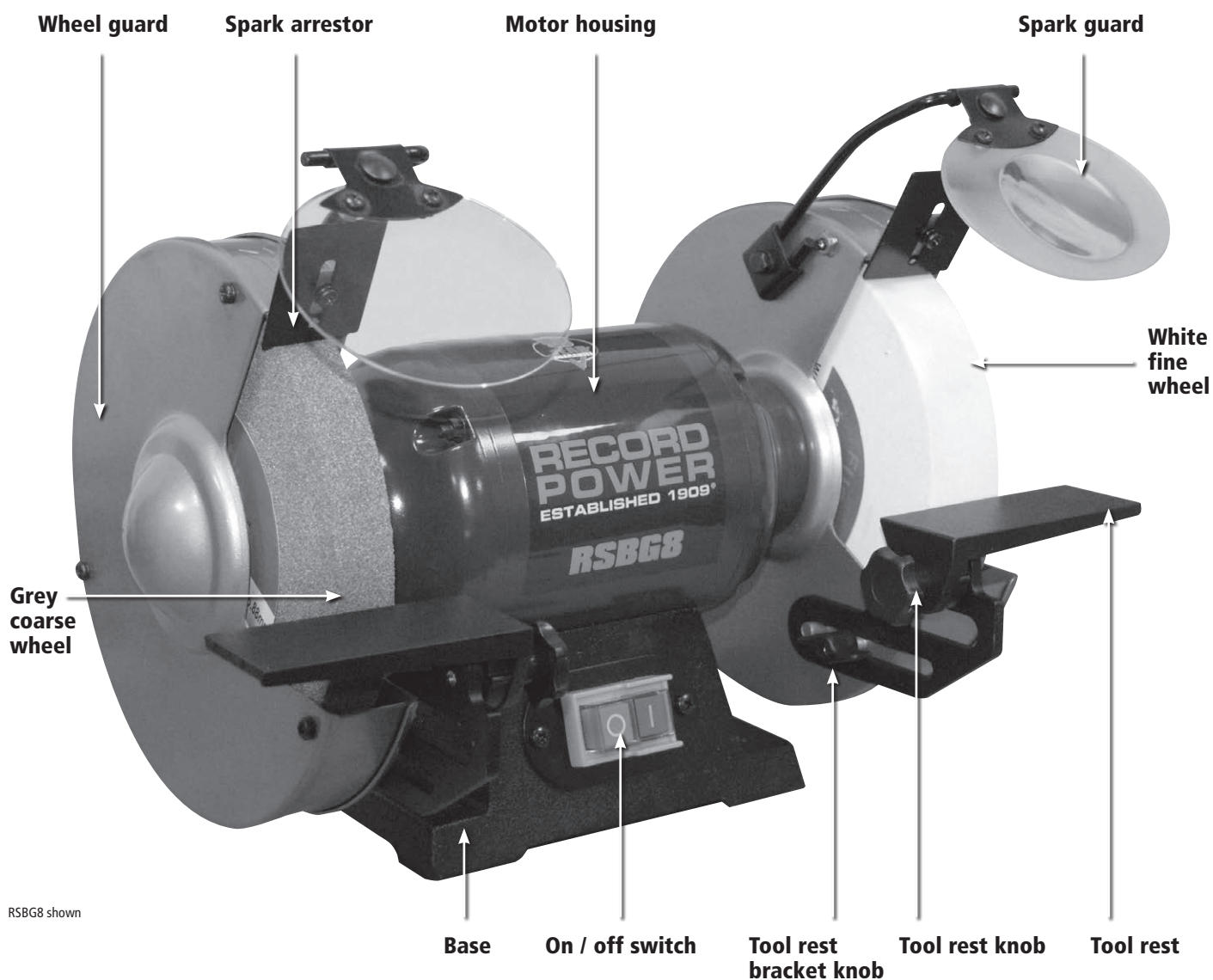
4 Notice

This Guarantee applies to all Products purchased from an Authorised Dealer of Record Power within the United Kingdom of Great Britain and Northern Ireland. Terms of Guarantee may vary in other countries – please check with the Authorised Distributor in your country (details of the Authorised Distributor for your country can be found in the manual or at www.recordpower.info).

5. Specifications

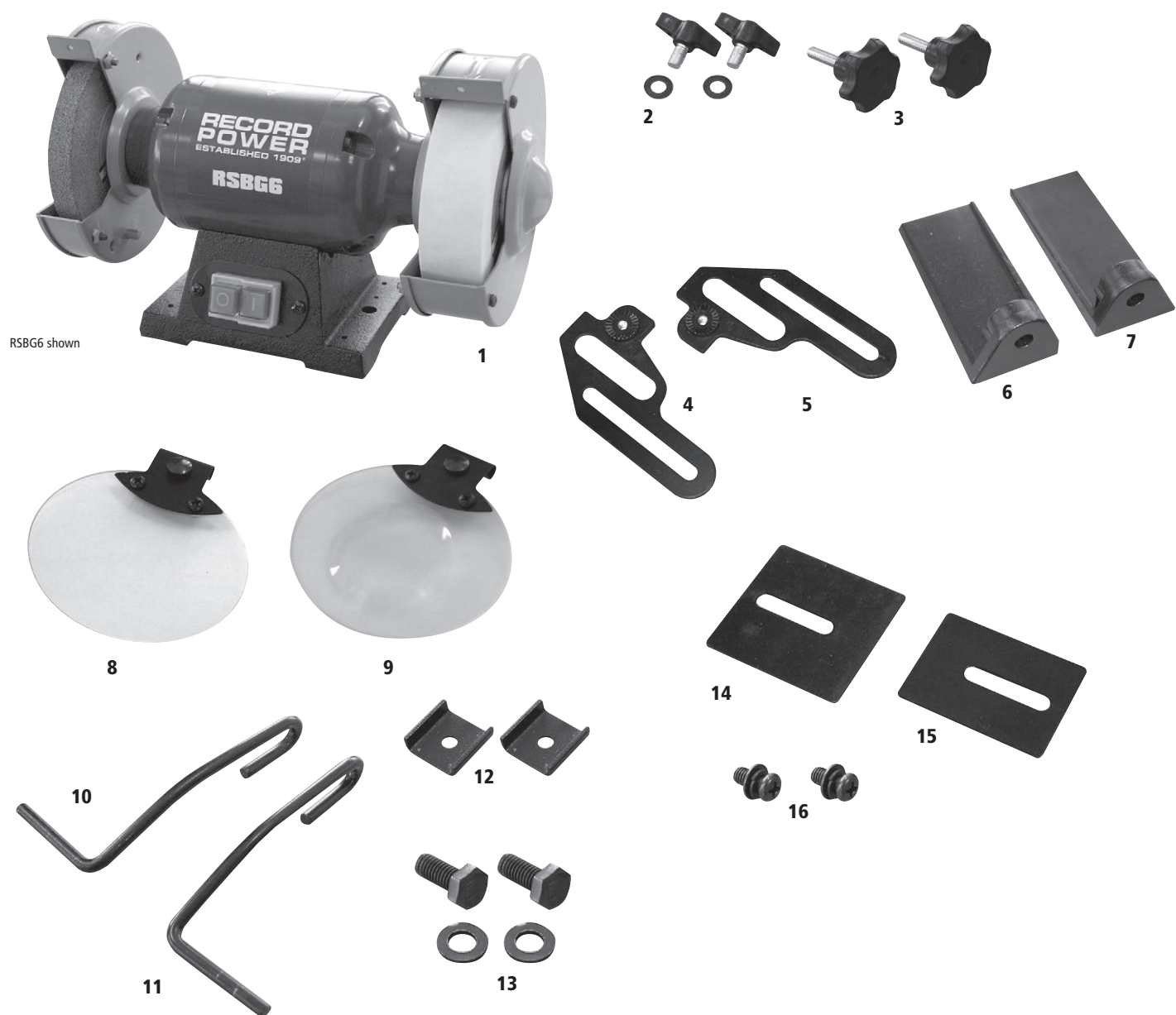
	RSBG6	RSBG8
Stone diameters:	150 mm (6")	200 mm (8")
Fine stone width:	40 mm	40 mm
Coarse stone width:	20 mm	25 mm
Motor input P1:	0.4 kW	0.55 kW
Motor output P2:	0.25 kW	0.39 kW
Speed:	2850 rpm / 23 M/second	2850 rpm / 30 M/second
Voltage:	230 V	230 V
Frequency:	50 Hz	50 Hz
Full load current:	1.9 A	2.6 A
Noise Emissions (no load):	Sound power level < 85 Db (A) Sound pressure level < 85 Db (A)	Sound power level < 85 Db (A) Sound pressure level < 85 Db (A)
Weight:	11.2 kg	17 kg

6. Features of the Grinders



RSBG8 shown

7. Contents of the Package



No.	Item	Quantity	No.	Item	Quantity
1	Grinder (RSBG6 shown)	1	9	Right-hand spark guard	1
2	Tool rest bracket locking handles and washers	2	10	Left-hand spark guard arm	1
3	Tool rest locking handles	2	11	Right-hand spark guard arm	1
4	Left-hand tool rest bracket	1	12	C-brackets	2
5	Right-hand tool rest bracket	1	13	M8 x 14 hex bolts and washers	2
6	Left-hand tool rest	1	14	Right-hand spark arrestor	1
7	Right-hand tool rest	1	15	Left-hand spark arrestor	1
8	Left-hand spark guard	1	16	M5 x 10 screws, washers and spring washers	2

8. Assembly

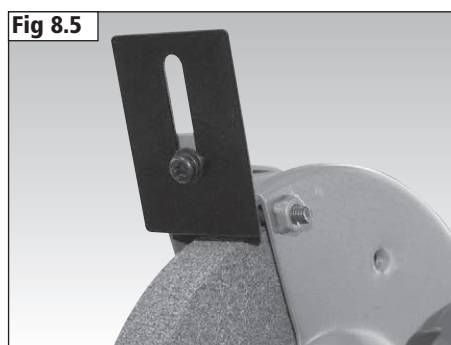
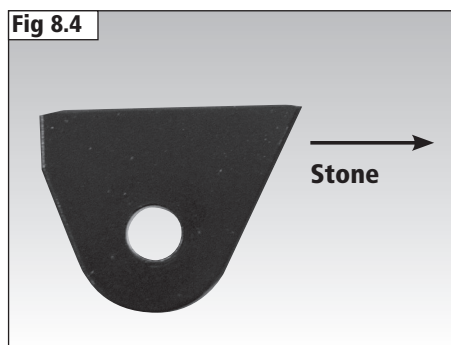
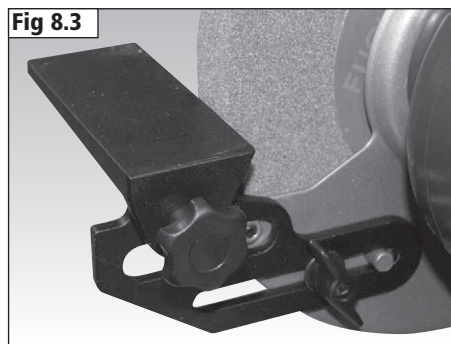
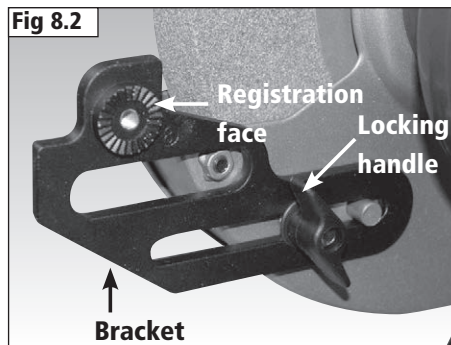
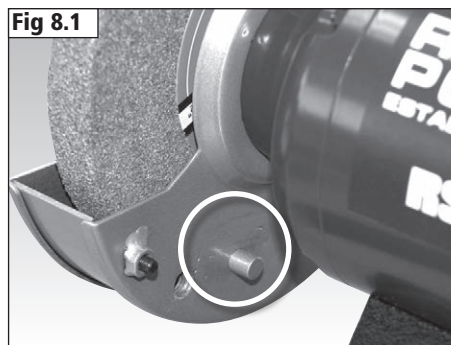
The inner face of each wheel guard features a locating pin as shown in **Fig 8.1**.

Secure the left-hand tool rest bracket to the left-hand wheel cover using a tool rest bracket locking handle and washer as shown in **Fig 8.2**. Ensure the locating pin passes through the bracket as shown and the registration disc of the bracket is facing inwards as shown.

Attach the left-hand tool rest to the bracket using a tool rest locking handle as shown in **Fig 8.3**. Ensure the flat profile of the tool rest as shown in **Fig 8.4** is facing towards the stone.

Attach the right-hand tool rest and tool rest brackets to the right-hand wheel cover following the same procedure as above.

Use an M5 x 10 screw, washer and spring washer to attach the left-hand spark arrestor to the left-hand wheel guard as shown in **Fig 8.5**.



8. Assembly

Use an M5 x 10 screw, washer and spring washer to attach the right-hand spark arrester to the right-hand wheel guard as shown in **Fig 8.6**. Secure the screw in place with a Phillips screwdriver.

Using a C-bracket, M8 x 14 hex bolt and washer, attach the left-hand spark guard arm to the left-hand wheel guard as shown in **Fig 8.7**. Secure in place using a 10 mm wrench. Ensure the screw passes through the bend in the arm as shown.

Pass the left-hand spark guard onto the support arm as shown in **Fig 8.8** and tighten the securing nut with a 10 mm wrench to hold it in place.

Repeat the above procedure to install the right-hand spark guard as shown in **Fig 8.9**.



Please note: The right-hand spark guard features a magnifying lens to aid in fine grinding.

Fig 8.6

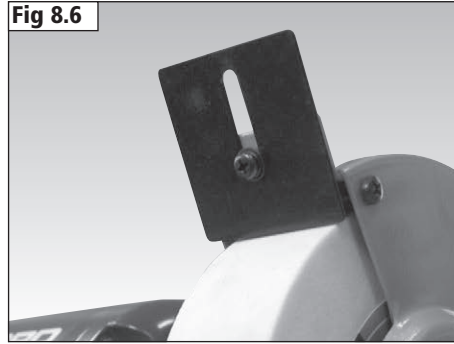


Fig 8.7

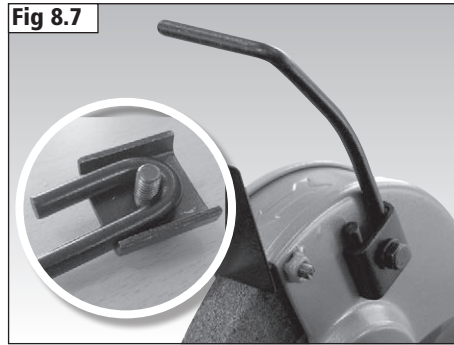
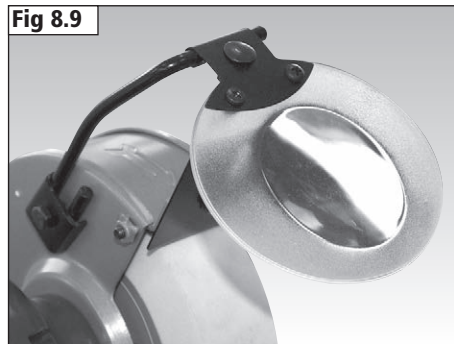


Fig 8.8



Fig 8.9



9. Operation



All adjustments and checks must be made with the machine disconnected from the power supply.



Always wear suitable eye protection.

Before starting the motor check that the wheels can be revolved freely by hand and the tool rests are firmly secured no more than 2 mm from the face of the wheel.



Before using the machine the wheels must be checked for flaws and damage. See **section 3 of Additional Health and Safety Guidance for Bench Grinders**.

Further information on stone safety and mounting can be found in the **HSE book HSG17 (Third edition, published 2000)**.



The machine should not be operated for more than 30 minutes per hour.

Replace the wheels when their diameter has reduced 25% from their original size.

Before use ensure that the tool rests are not touching the wheels and are no more than 2 mm from the stone as shown in **Fig 9.1**. Loosen the tool rest bracket locking handle shown in **Fig 9.2** to allow positioning of the bracket and tool rest.

Loosen the tool rest locking handle shown in **Fig 9.2** to allow adjustment to the angle of the tool rest.

Before use ensure that the spark arrestors are not touching the wheels and are no more than 2 mm from the stone as shown in **Fig 9.3**.

As the stone wears the spark arrestors should be adjusted accordingly to ensure that protection from sparks remains adequate.

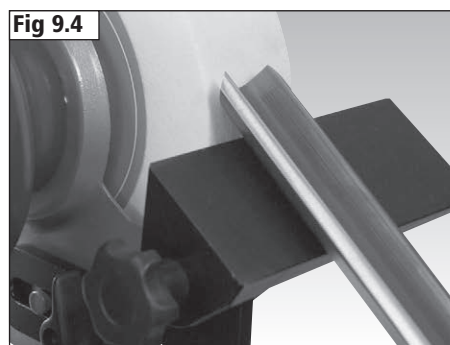
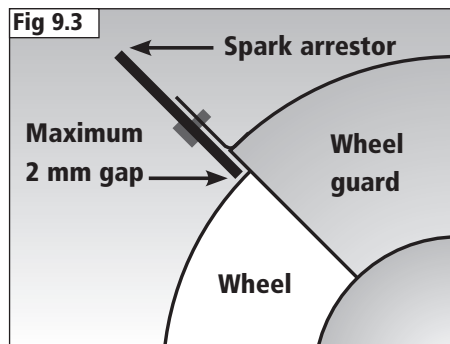
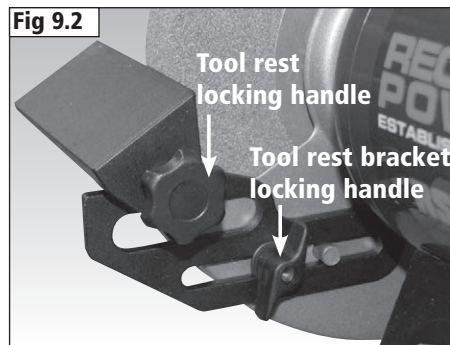
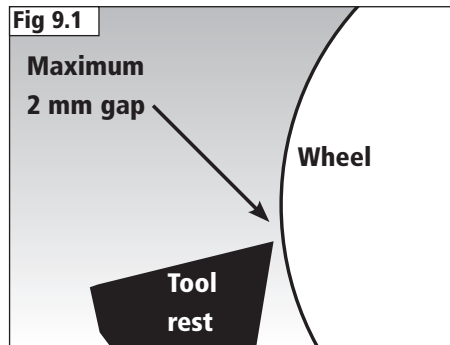
Wear on the wheel can cause eccentricity leading to machine vibration and intermittent contact with the work piece.

Unless this condition is corrected it may result in further damage to the wheels and motor bearings.

Check the wheels are in sound condition by allowing the machine to run at full speed for one minute. Ensure all personnel are standing clear of the machine.

Allow the wheels to achieve full speed before applying the tool.

Ensure the tool rest is sufficiently supporting the tool and carefully apply it the grinding wheel as shown in **Fig 9.4**. Avoid excessive or intermittent pressure.



9. Operation



Do not grind on the side face of the wheels.

Do not stop the wheels by applying pressure to them after turning the machine off.

Restarting

In the Event of a the Machine Stalling

If the machine stalls due to the work piece becoming trapped, switch it off immediately by pressing the stop button (Red button marked 'O') and wait for the machine to come to a complete stop before proceeding further.

Remove the workpiece and re-start the machine by pressing the green button marked 'I' on the switch.

In the Event of a Power Failure

The machine is fitted with a no volt release (NVR) switch to protect the user against automatic starting of the machine when power is restored after a power failure.

In the event of a power failure, first locate and rectify the source of the failure. If the fault is within the power circuit of the workshop, there may be an underlying cause (circuit overload etc.) that should be investigated by a qualified electrician, before attempting to restore the power source.

Once the power is restored, the machine can be re-started by pressing the 'on' switch.

10. Maintenance

Only genuine Record Power grinding wheels should be used to ensure the correct bore and diameter. Use of non Record Power wheels will invalidate the warranty.

To keep the wheels in good condition dress and clean them regularly. The **SDS1** Bench Grinder Dressing Stick is a coarse grey stick which will de-glaze the stone and open up the pores. The **SDS2** Bench Grinder Cleaning Stick should then be used to remove debris from the stone.

Refreshing the wheel surfaces will improve grinding results and prolong the life of the wheels.

11. Dust Extraction

Due to the small amounts of waste created when grinding, no dust extraction is necessary. Any debris which accumulates on the machine can be removed once it has cooled, with a domestic vacuum cleaner, wet and dry vacuum or HPLV dust extractor using suitable fitments.

12. Electrical Connection and Wiring Diagram

Machines supplied for use in the UK are fitted with a 3 pin plug conforming to BS1363, fitted with a fuse conforming to BS1362 and appropriate to the current rating of the machine.

Machines supplied for use in other countries within the European Union are fitted with a 2 pin Schuko plug conforming to CEE 7/7.

Machines supplied for use in Australia and New Zealand are fitted with a 3 pin plug conforming to AS/NZS3112.

In all cases, if the original plug or connector has to be replaced for any reason, the wires within the mains power cable are colour coded as follows:

230 V (Single Phase)

Brown: Live (L)
 Blue: Neutral (N)
 Green and Yellow: Earth (E)

The wire coloured brown must always be connected to the terminal marked 'L' or coloured red.
 The wire coloured blue must always be connected to the terminal marked 'N' or coloured black.
 The wire coloured green and yellow must always be connected to the terminal marked 'E' or with the earth symbol or coloured green / green and yellow.



Earth Symbol



Double Insulated Symbol

It is important that the machine is effectively earthed. Some machines will be clearly marked with the double insulated logo. In this case there will not be an earth wire within the circuit.

In the case of the BS1363 plug for use in the UK, always ensure that it is

fitted with a fuse conforming to BS1362 appropriate to the rating of the machine. If replacing the original fuse, always fit a fuse of equivalent rating to the original. Never fit a fuse of a higher rating than the original. Never modify the fuse or fuse holder to accept fuses of a different type or size.

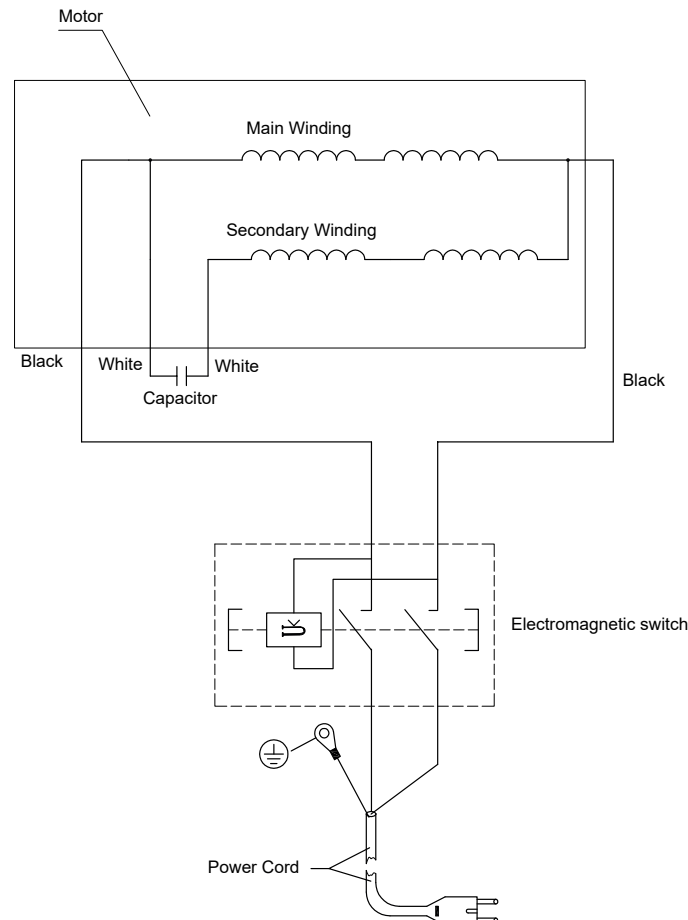
Where the current rating of the machine exceeds 13 A at 230 V, or if the machine is designated for use on a 400 V 3 phase supply a connector conforming to BS4343 (CEE17 / IEC60309) will be used. 230 V machines will be fitted with a blue 3 pin connector. The wiring for this type of this connector will be the same as shown above. 400 V, 3 phase machines will be fitted with a red 4 or 5 pin connector. The wiring for this type of connector is as shown below:

400 V (3 phase)

Brown: Live (L1)
 Black: Live (L2)
 Grey: Live (L3)
 Blue: Neutral (N)
 Green and Yellow: Earth (E)

The wire coloured brown must always be connected to the terminal marked 'L1'.
 The wire coloured black must always be fitted to the terminal marked 'L2'.
 The wire coloured grey must always be connected to the terminal marked 'L3'.
 The wire coloured blue must always be connected to the terminal marked 'N' or coloured black.
 The wire coloured green and yellow must always be connected to the terminal marked 'E' or with the earth symbol.

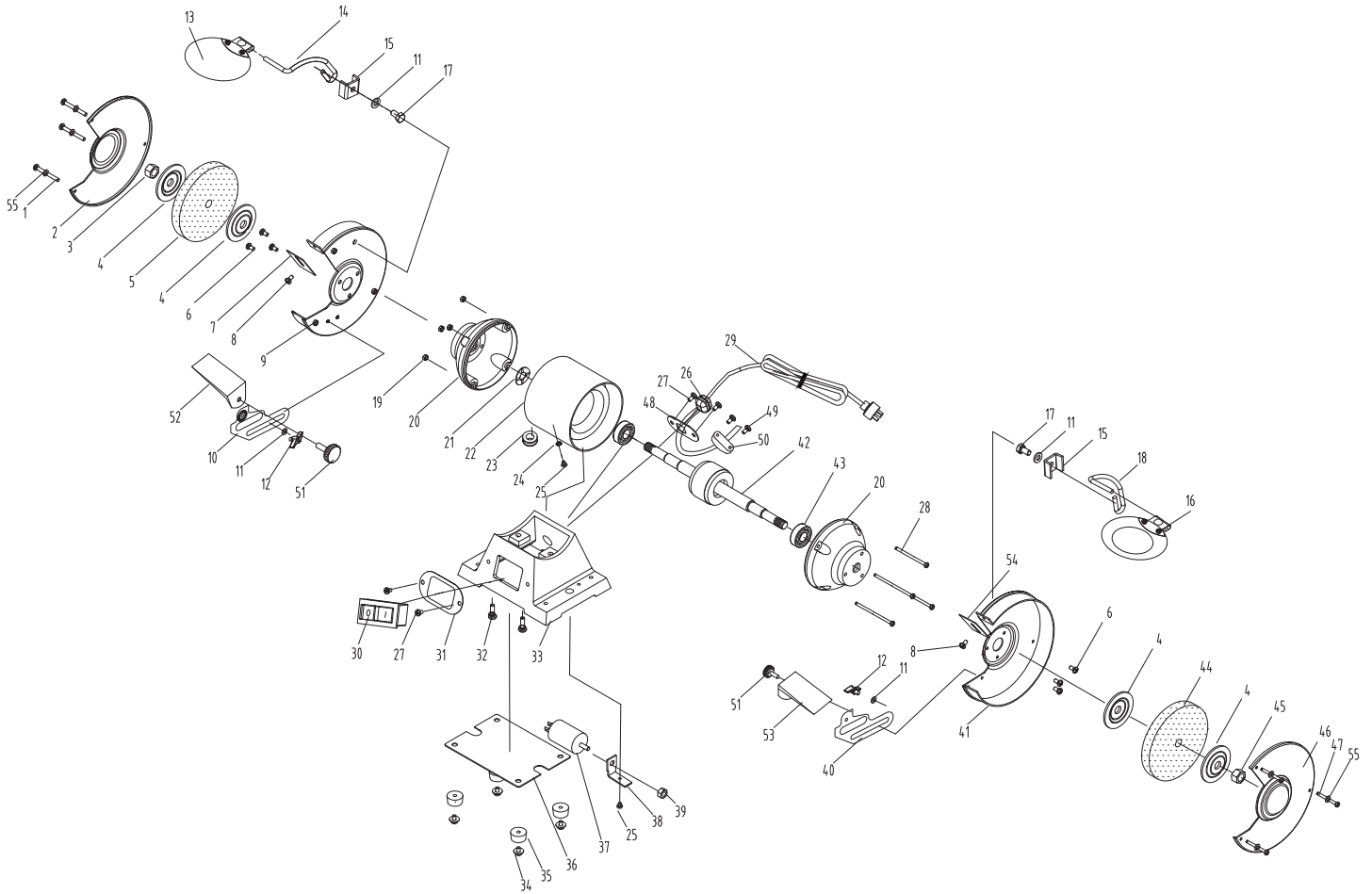
If in doubt about the connection of the electrical supply, always consult a qualified electrician.



RSBG6 and RSBG8 Wiring Diagram

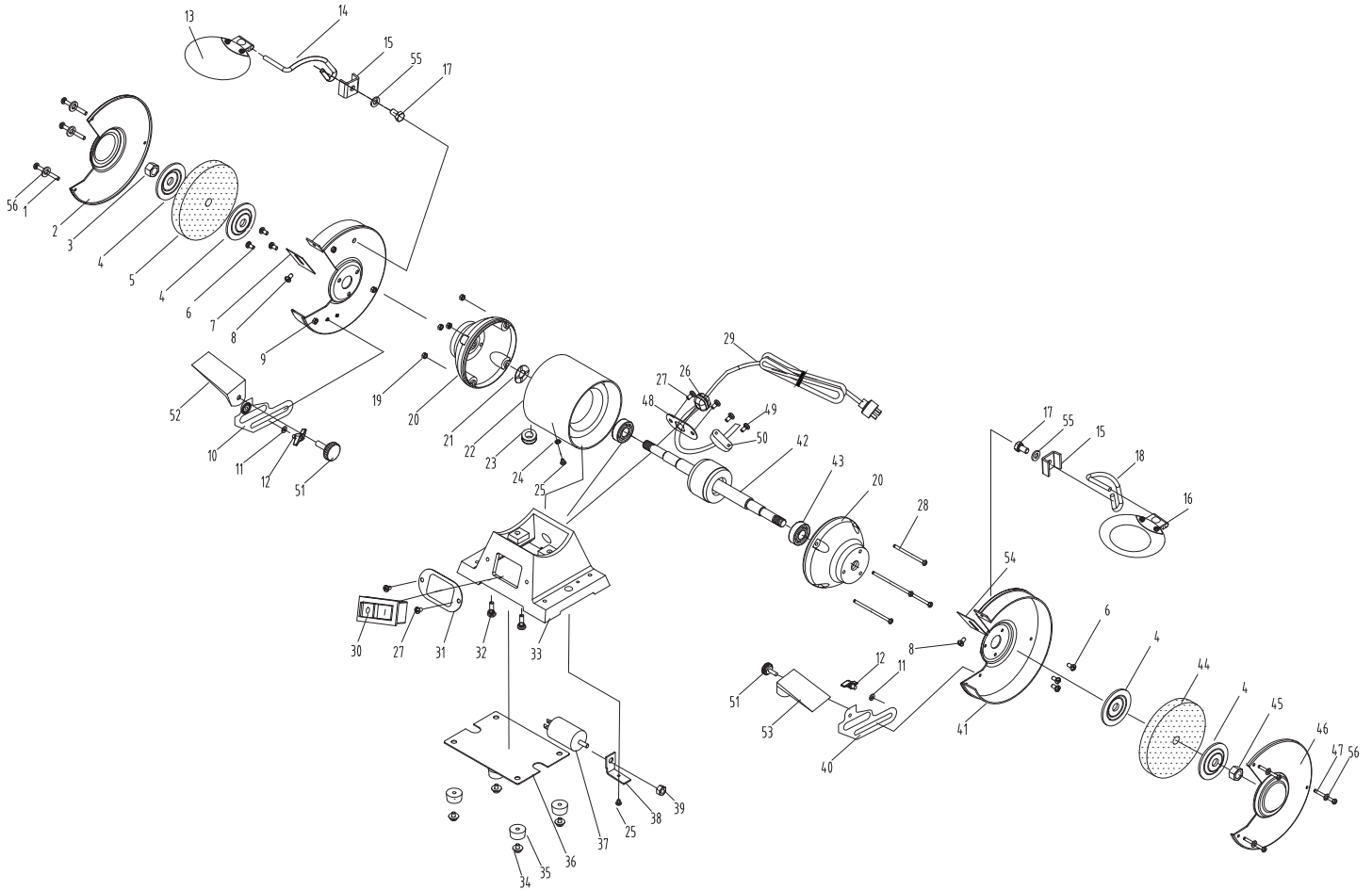
13. Parts List and Diagram

RSBG6



No.	Description	Quantity	No.	Description	Quantity
1	TZ Phillips screw M5 x 42	3	29	Power line	1
2	Left guard cover	1	30	Electromagnetic switch	1
3	Hex nut M12 (left)	1	31	Switch board	1
4	Flange	4	32	Phillips screw and spring washer assembly M6 x 18	2
5	Wheel $\text{D}150*20*\text{D}12.7 \text{ A}, 36\#$	1	33	Base	1
6	Phillips screw and spring washer assembly M5 x 10	6	34	Phillips screw and flat washer assembly M4 x 12	4
7	Left spark deflector (width 36 mm)	1	35	Rubber foot	4
8	Phillips screw, spring washer and flat washer assembly M5 x 10	2	36	Clapboard	1
9	Left inner guard	1	37	Capacitor	1
10	Left fixed tool rest bracket	1	38	Capacitor support subplate	1
11	Flat washer 8	6	39	Hex nut M8	1
12	Locking handle M8 x 9	4	40	Right fixed tool rest bracket	1
13	Left eye shield assembly	1	41	Right inner guard	1
14	Left eye shield support subplate	1	42	Rotor	1
15	Lock block	2	43	Bearing 6202RZ	2
16	Right magnifying eye shield assembly	1	44	Wheel $\text{D}150*40*\text{D}12.7 \text{ WA}, 100\#$	1
17	Hex bolt M8 x 14	2	45	Hex nut M12	1
18	Right eye shield support subplate	1	46	Right guard cover	1
19	Hex Nut M4	4	47	TZ Phillips screw M5 x 62	3
20	End cap	2	48	Cable clip baseplate	1
21	Wave washer 34.5	1	49	Phillips screw M4 x 16	2
22	Stator	1	50	Strain relief	1
23	Power cord sheath	1	51	Tool rest lock handle	2
24	Lock washer 4	1	52	Left moveable tool rest	1
25	Phillips screw, spring washer and flat washer assembly M4 x 8	1	53	Right moveable tool rest	1
26	6P4	1	54	Right spark deflector (width 51 mm)	1
27	Phillips screw M4 x 8	4	55	Spring washer 5	6
28	Phillips screw and flat washer assembly M4 x 135	4			

RSBG8



No.	Description	Quantity
1	TZ Phillips screw M5 x 46	3
2	Left guard cover	1
3	Hex nut M16 (Left)	1
4	Flange	4
5	Wheel $\text{D}200 \times 25 \times \text{D}15.88 \text{ A}$, 36#	1
6	Phillips screw and spring washer assembly M5 x 10	6
7	Left spark deflector (width 36 mm)	1
8	Phillips screw, spring washer and flat washer assembly M5 x 10	2
9	Left inner guard	1
10	Left fixed tool rest bracket	1
11	Flat washer 8	4
12	Locking knob M8 x 9	2
13	Left eye shield assembly	1
14	Left eye shield support subplate	1
15	Lock block	2
16	Right magnifying eye shield assembly	1
17	Hex bolt M6 x 14	2
18	Right eye shield support subplate	1
19	Hex nut M5	4
20	End cap	2
21	Wave washer 47	1
22	Stator	1
23	Power cord sheath	1
24	Lock washer 4	1
25	Phillips screw, spring washer and flat washer assembly M4 x 8	1
26	6P4	1
27	Phillips screw M4 x 8	4
28	Phillips screw and flat washer assembly M5 x 148	4
29	Power line	1
30	Electromagnetic switch	1
31	Switch board	1
32	Phillips screw and spring washer assembly M8 x 20	2
33	Base	1
34	Phillips screw and flat washer assembly M5 x 16	4
35	Rubber foot	4
36	Clapboard	1
37	Capacitor	1
38	Capacitor support subplate	1
39	Hex nut M8	1
40	Right fixed tool rest bracket	1
41	Right inner guard	1
42	Rotor	1
43	Bearing 6204RZ	2
44	Wheel $\text{D}200 \times 40 \times \text{D}15.88 \text{ WA}$, 100#	1
45	Hex nut M12	1
46	Right guard cover	1
47	TZ Phillips screw M5 x 62	3
48	Cable clip baseplate	1
49	Phillips screw M4 x 16	2
50	Strain relief	1
51	Tool rest lock handle	2
52	Left moveable tool rest	1
53	Right moveable tool rest	1
54	Right spark deflector (width 52mm)	1
55	Flat washer 6	2
56	Spring washer 5	6

EU Declaration of Conformity


Cert No: EU / RSBG6 and RSBG8 / 1

Record Power Ltd, Centenary House, 11 Midland Way,
Barlborough Links, Chesterfield, Derbyshire S43 4XA
declares that the machinery described:-

1. Type: **Bench Grinder**
2. Model No: **RSBG6** and **RSBG8**
3. Serial No

Conforms with the following directives:-

MACHINERY DIRECTIVE (repealing / replacing Directives)	2006/42/EC EN 62841-1 EN62841-3-4:2016
ELECTROMAGNETIC COMPATIBILITY DIRECTIVE	2014/30/EU

Signed  Dated: **2.1.2019**
Andrew Greensted
Managing Director



Over
100
years

Experience • Knowledge
Support • Expertise

RECORD POWER
ESTABLISHED 1909®

Woodworking Machinery and Accessories

Record Power Ltd, Centenary House, 11 Midland Way, Barlborough Links, Chesterfield, Derbyshire S43 4XA

Tel: +44 (0) 1246 571 020 Fax: +44 (0) 1246 571 030 www.recordpower.co.uk

To register a product and find your local stockist visit

recordpower.info

Made in China