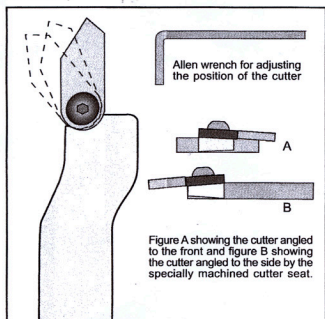
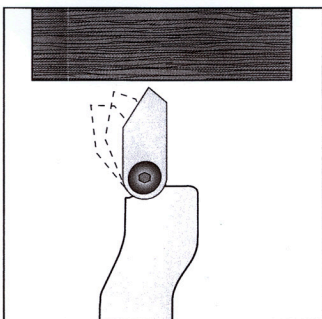


The Box Hollower from Robert Sorby has some unique and innovative features. It is specifically designed to allow for straight hollowing such as small boxes. The shape of the cutter allows for the inside bottom of a project to be flat and the side walls to be even and parallel.

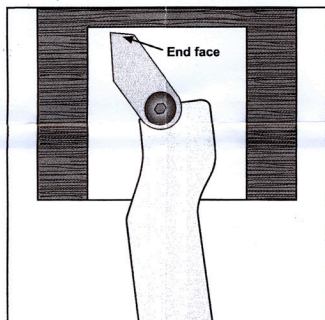
Many other specially designed cutters are available for this tool (See below for details)



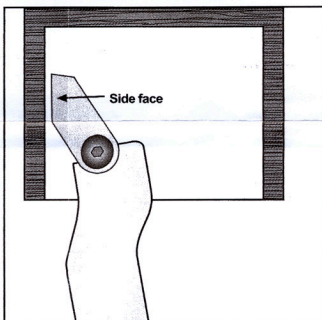
The Box Hollower is fitted with the side / end box hollowing cutter and comes with an Allen key/ wrench for cutter adjustment.



The cutter can be adjusted to suit the best position for the cut required. To start hollowing use the cutter in-line with the shaft and bore the centre of the box



The box can be hollowed from the centre outwards using a gentle sweeping action. Adjust the cutter so that the end face cuts a flat bottom and neatly into the corner.



Adjust the cutter back so the side face is flat to create parallel sides to the box.

Additional cutters



Mushroom cutter: Ideal for cutting of any project particularly the cap of a mushroom.



Side and Face cutter: Very useful for cutting a relief in boxes when cutting threads.

Mini round nose cutter: Can be used for any type of hollowing of small projects.

Rim cutter: Ideal for cutting the rim on the inside of a box or small bowl.

