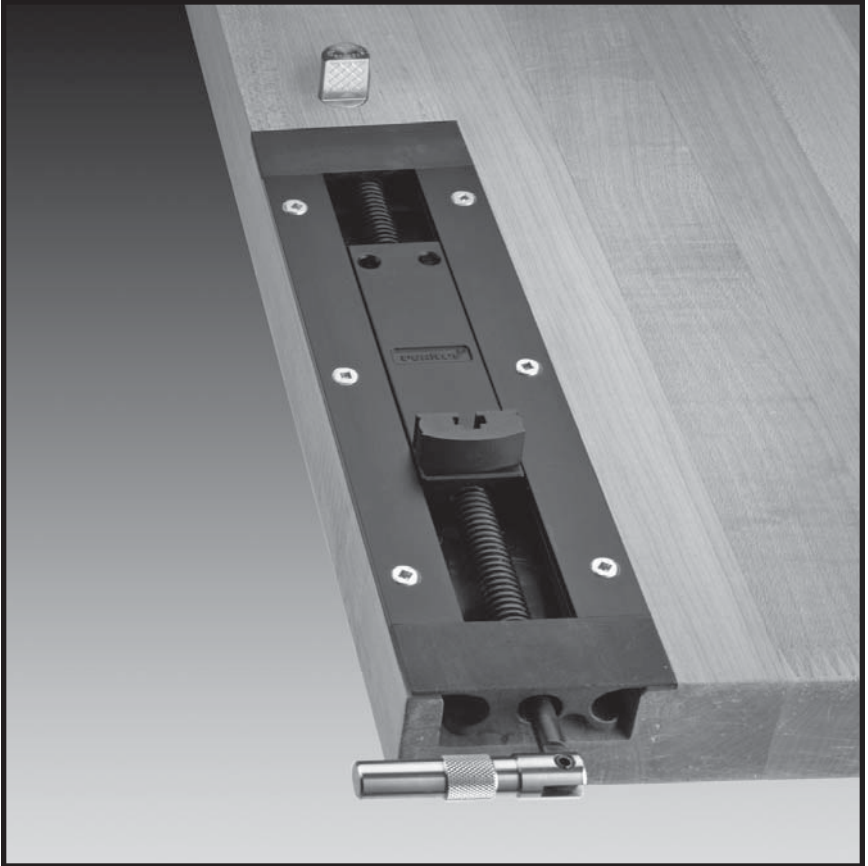


veritas[®]
Inset Vise



05G31.01

Patent Pending

Introduction

The Veritas® Inset Vise is designed to be installed in a workbench to allow for clamping along a set of bench dogs. The jaw carrier has a total movement of 4", with two jaw locations. This allows it to work effectively with any dog-hole spacing up to 7³/₄".

The complete vise is 10³/₄" long, 3" wide and 29/₃₂" deep, and can be installed in any workbench that is at least 1¹/₄" thick.

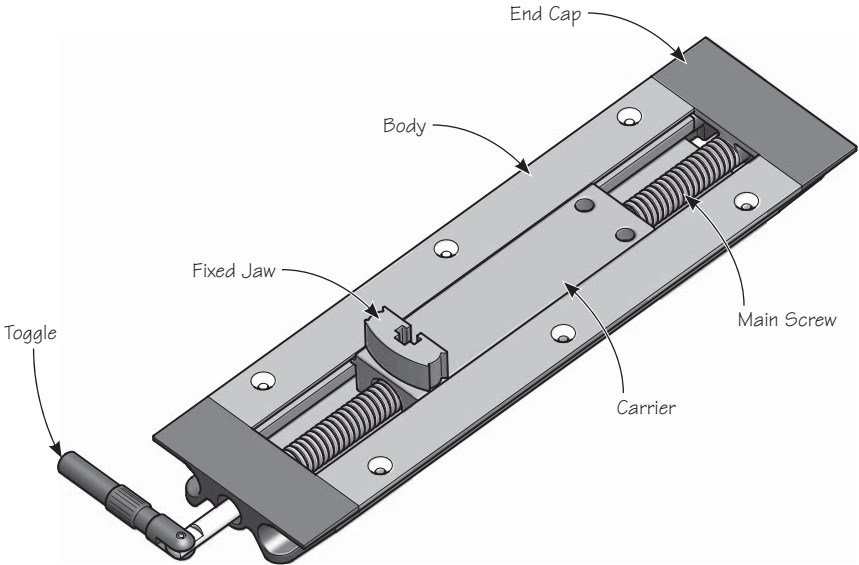


Figure 1: Inset vise parts.

Installation

To install the inset vise, a suitable cavity will need to be cut out of the workbench top. The vise can be located anywhere on the edge of the workbench to suit the required clamping needs. Typically, this would be in line with the dog-hole matrix (as shown in **Figure 2**), but this is not required.

***Note:** In this installation, the dog holes must be minimum 1¹/₂" offset from the edge of the workbench.*

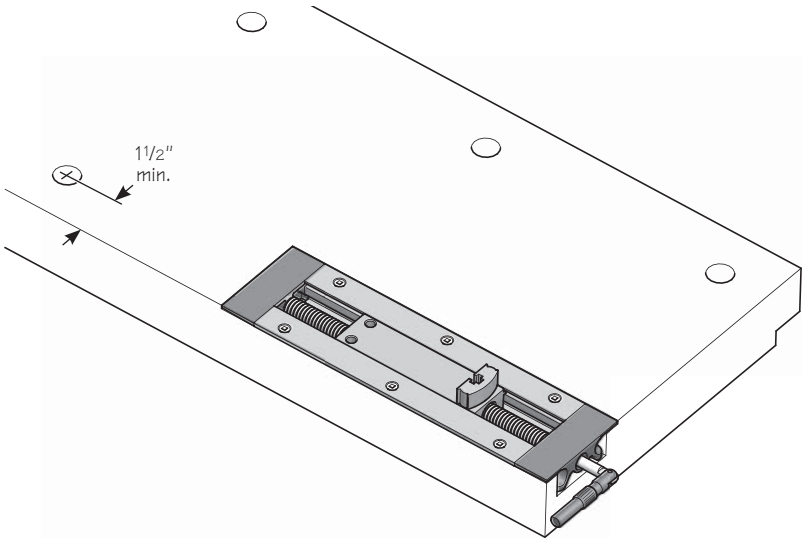


Figure 2: Inset vise installed in line with dog holes.

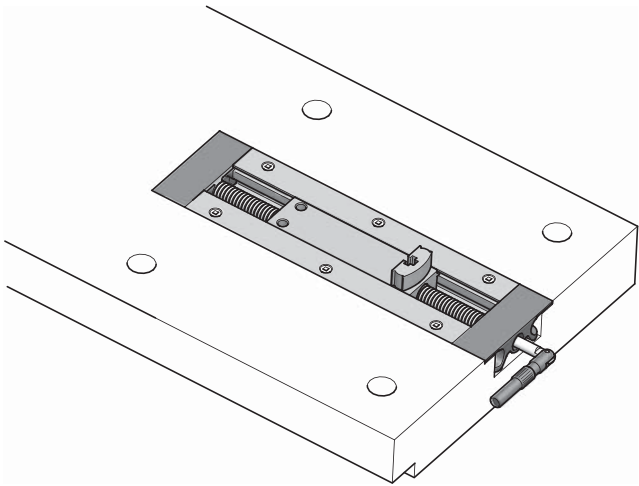


Figure 3: Inset vise mounted in the middle of the edge of the workbench.

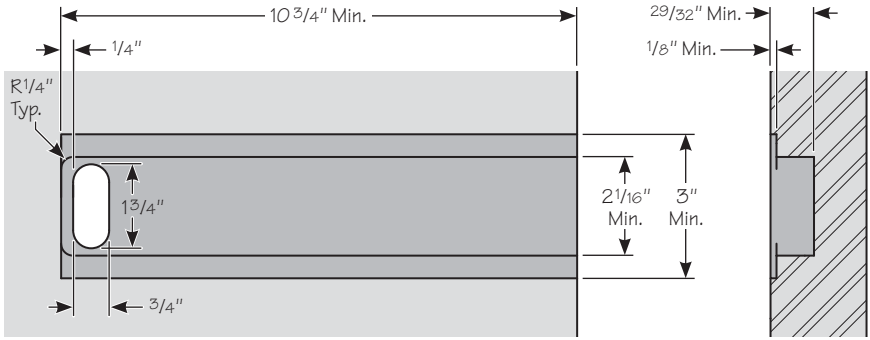


Figure 4: Inset vise cavity dimensions.

Note: The minimum bench thickness is 1 1/4". If a thinner bench is used, suitable reinforcing will need to be added in order to maintain the strength of the bench.

When laying out the location for the vise, ensure that the mounting screws will not run through any glue joints in the workbench slab.

Begin by cutting out the main body cavity (minimum 2 1/16" wide, 2 9/32" deep and 10 3/4" long, as shown in **Figure 5**). The corners of this cavity do not need to be square, and can have a maximum 1/4" radius (as would be created if a 1/2" router bit had been used to cut the cavity).

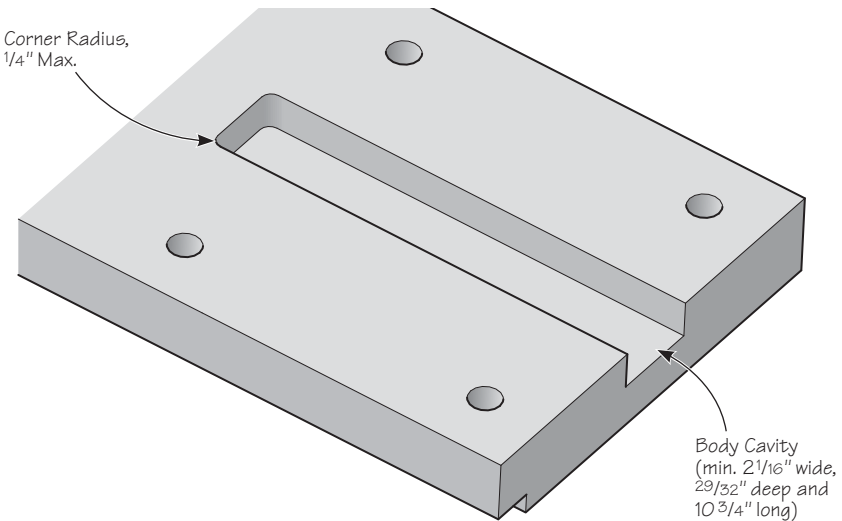


Figure 5: Cutting the main body cavity.

Next, cut the wing cavity minimum 3" wide, 1/8" deep and 10 3/4" long, centered on the body cavity. A depth of 1/8" should create a flush mount for the vise.

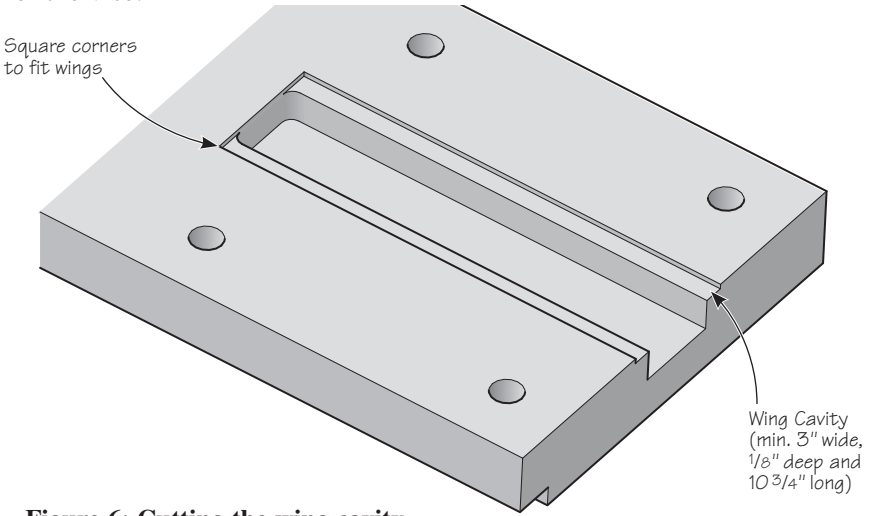


Figure 6: Cutting the wing cavity.

Unlike the body cavity, the wing cavity will need to have the corners squared in order to fit.

At the end of the body cut-out, cut a 3/4" wide by 1 3/4" long slot completely through the workbench (see **Figure 7**). This slot will allow chips and debris to be swept out of the inset vise.

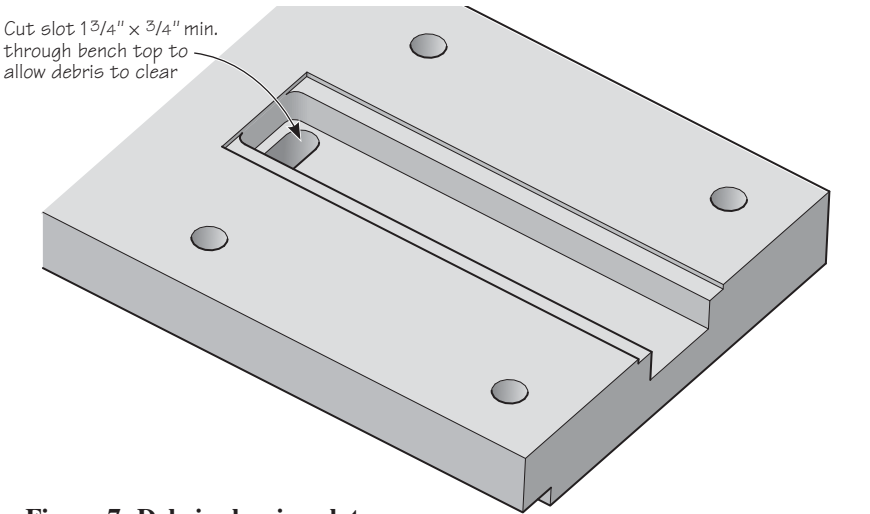


Figure 7: Debris clearing slot.

Test fit the inset vise and transfer the mounting screw-hole locations using a center punch. Drill out appropriate pilot holes for the #8 screws ($1/8''$ in softwood, $5/32''$ in hardwood). Install the inset vise with the six included #8 \times 1'' flat-head screws.

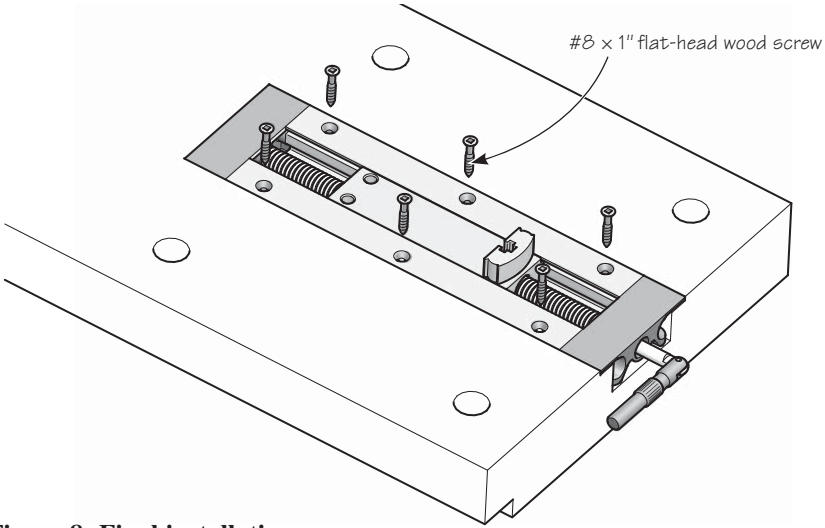


Figure 8: Final installation.

Maintenance

Once installed, the inset vise should be relatively maintenance free. All that should be required is periodic clearing of debris from the two ends (the end caps have openings to facilitate this) and occasional lubrication of the main screw, if required.

Accessories

- 05G31.02 Replacement Fixed Jaw
- 05G31.03 Pivoting Jaw

veritas[®] Tools Inc.

814 Proctor Avenue 1090 Morrison Drive
Ogdensburg, New York Ottawa, Ontario
13669-2205 USA K2H 1C2 Canada