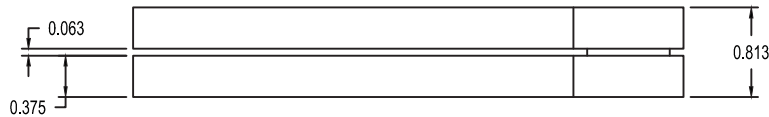
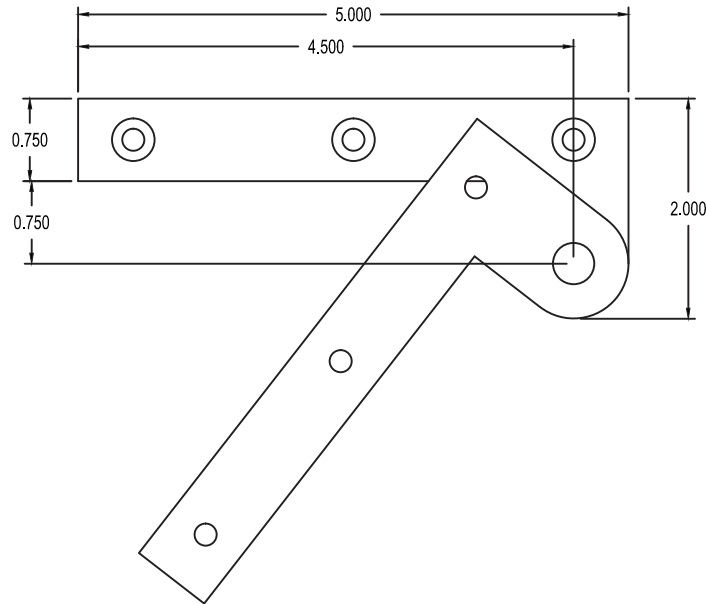
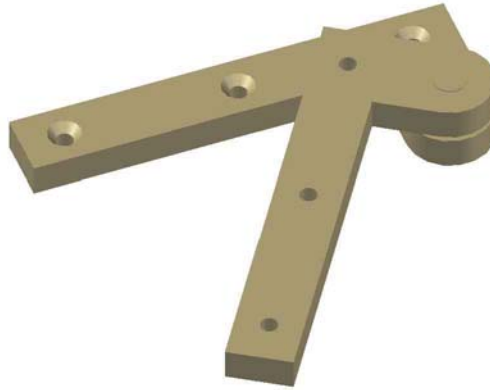


# L 19



Questions- Call before mortising 212-337-8510

**BRUSSO**<sup>®</sup>  
*American Made*  
PRECISION HARDWARE

© 1983-2012 Brusso Hardware LLC  
67-69 Greylock Avenue  
Belleville, NJ 07109  
T 212-337-8510 F 212-337-9840

Product: L 19 Offset Pivot Hinge

Revision: 2

Component: TEMPLATE

Material: BRASS

File Name:  
L 19 Offset  
Pivot Hinge

Catalog No: L 19

Drawn By: KA

Checked By: RB

Tolerances unless otherwise specified: Machined features fraction  $\pm 1/64$   
Decimal  $.xxx \pm .005$ , Angular  $\pm 1$  Degree, Hole Diameter  $+0.003/-0.002$

Scale: NONE

Date: 4/13/13

Date: 4/15/13

Sheet: 1 of 4