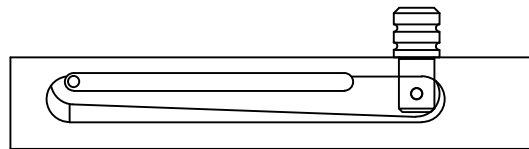
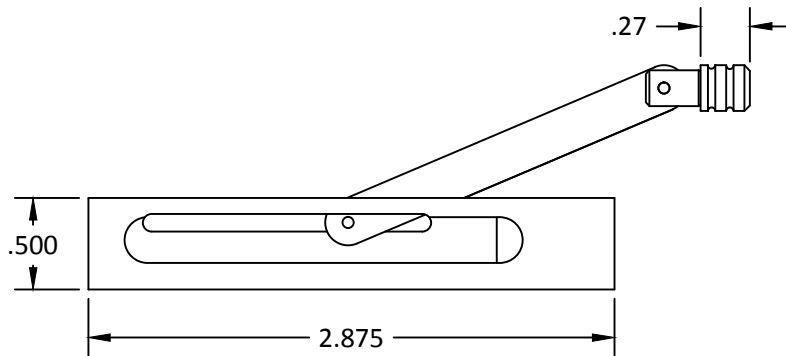
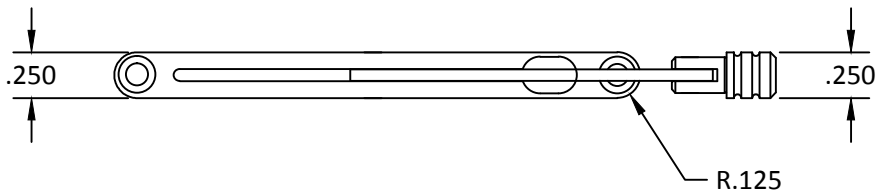


JB-250



Questions- Call before mortising 212-337-8510

BRUSSO [®] <i>American Made</i> PRECISION HARDWARE	©1983-2012 Brusso Hardware LLC 67-69 Greylock Avenue Belleville, NJ 07109 T 212-337-8510 F 212-337-9840	Product: JB-250 Lid Stay		Revision: B
		Component: Template		File Name: JB-250 Lid Stay
Tolerances unless otherwise specified: Machined features fraction +/- 1/64, Decimal .XXXX +/- .0005, .XXX +/- .005, Angular +/- 1 Degree, Hole Diameter +.003/- .002		Material: Brass	Drawn by: JM	Checked by: AS
		Scale: None	Date: 06/13/03	Date: 06/24/03
				Sheet: 1 of 1