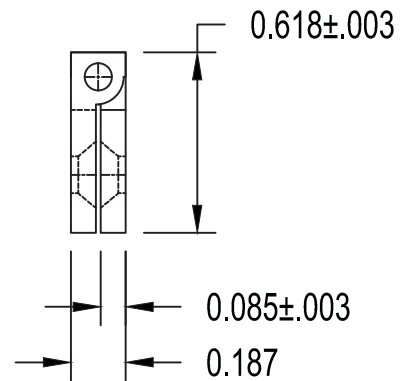
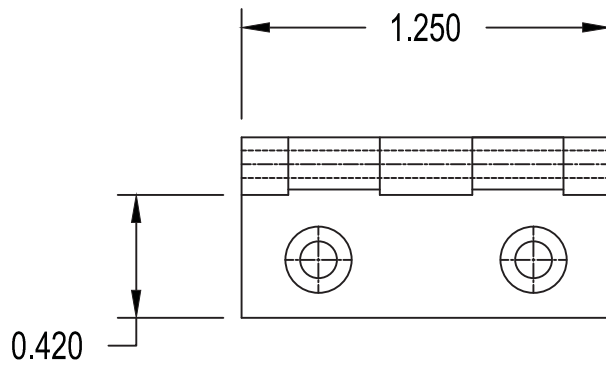
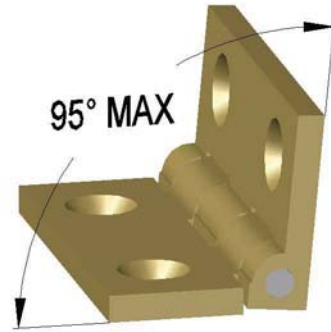


JB 103



Questions- Call before mortising 212-337-8510

BRUSSO®
American Made
PRECISION HARDWARE

© 1983-2012 Brusso Hardware LLC
67-69 Greylock Avenue
Belleville, NJ 07109
T 212-337-8510 F 212-337-9840

Tolerances unless otherwise specified: Machined features fraction ± 1/64
Decimal .xxx ± .005, Angular ± 1 Degree, Hole Diameter +.003/- .002

Product: JB 103 STOP HINGE			Revision: 0
Component: TEMPLATE		Material: BRASS	
Catalog No: JB 103	Drawn By: KCA	Checked By: RB	File Name: JB 103 STOP HINGE
Scale: NONE	Date: 2/8/13	Date: 2/20/13	Sheet: 1 of 5