

Woodpeckers[®]

THIN RIP GUIDE™

OWNER'S MANUAL

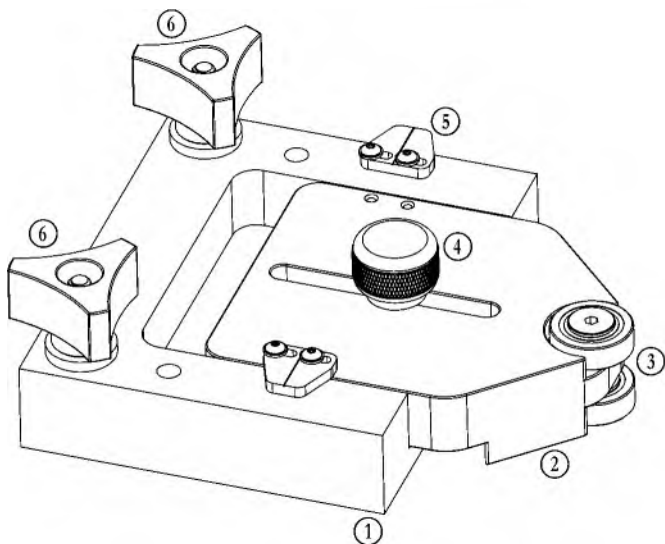


DIAGRAM (QTY) PART NAME
NUMBER

- ① (1) Base
- ② (1) Slider
- ③ (2) Bearing
- ④ (1) Slider Knob

HARDWARE BAG

- ⑤ (2) Scale Marker
- (4) Stainless Steel Washer
- (4) 4-40 Buttonhead Screw
- ⑥ (2) Knob 1/4-20
- (2) Nylon Washer
- (2) Miter Slot Nut
- (1) Hex Key 1/16"



Scan the QR code above
to watch the video
or visit woodpeck.com
under the video tab towards
the bottom of the product page.

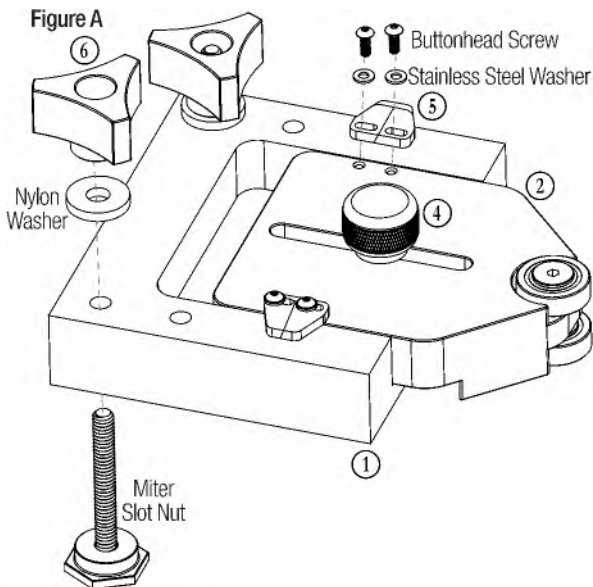
If you think you're missing anything, email us at mailroom@woodpeck.com.
You can also call us at 800-752-0725 from 9:00 a.m. to 4:00 p.m. EST Monday - Friday.

ASSEMBLY

1. Insert the Miter Slot Nut through the bottom of the Base (1). Add the Nylon Washer then thread on the Knob (6). Repeat for the other Knob. **Figure A.**

2. Place a Scale Marker (5) (center line down) on the Slider (2) lining the Scale Marker up with the small holes on the Slider.

3. Add (2) Stainless Steel Washers to the top of the Scale Marker and secure to the Slider with the (2) Buttonhead Screws. Repeat for the other Scale Marker.

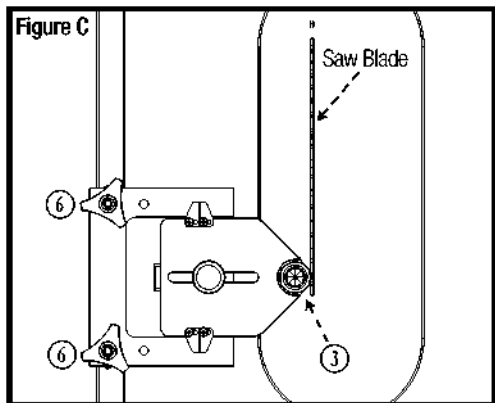
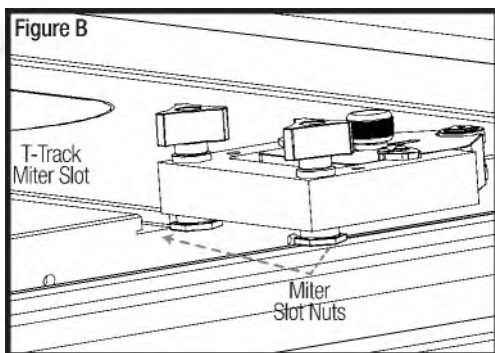


USING THE THINRIP GUIDE

•The ThinRip Guide fits table saw miter slots $3/8" \times 3/4"$ with a T-slot and works on the off-cut side of your blade. Using the ThinRip Guide is safer than methods where your thin stock is being cut between your saw blade and the table saw fence.

1. Slide the ThinRip Guide Miter Slot Nuts into the T-track miter slot of your table saw. **Figure B.**

2. Slide the ThinRip Guide up to the front of your saw blade until the Bearings (3) appear to be centered on the saw blade teeth. Lock the (2) Knobs (6). **Figure C.**



3. With the Slider Knob (4) loose, move the Slider up until the Bearing kisses against a tooth of the saw blade. Lock the Slider Knob.

4. Loosen the Buttonhead Screws on the Scale Marker (5). Adjust the indicator line of the Scale Marker to the nearest full 1/16th (or mm) on the Base Scale. Tighten the Buttonhead Screws. **Figure D.**

5. Now that the Scale Marker is calibrated, loosen the (2) Knobs (6). Pull the ThinRip Guide away from the saw blade a few inches. Tighten down the (2) Knobs. **Figure E.**

6. Set the desired stock thickness on the Base Scale. Lock the Slider Knob.

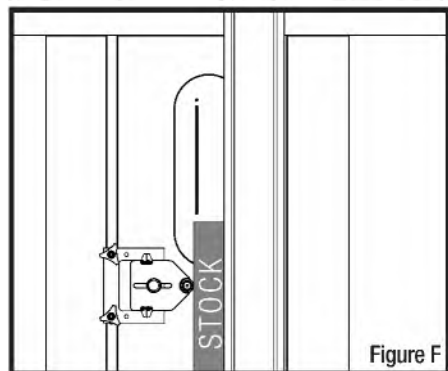
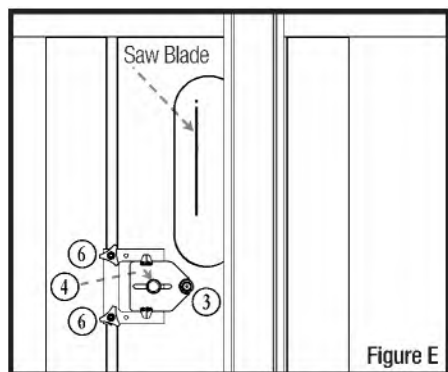
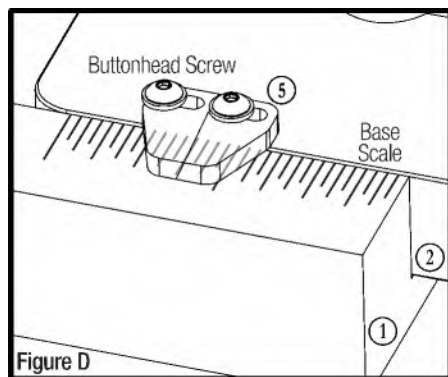
7. Bring your table saw fence over with your stock in place until the stock is just touching the Bearings (3). Lock your table saw fence. **Figure F.**

•**TIP!** When adjusting the table saw fence, try to keep the fence close to parallel before locking. If your fence moves to the left as you lock it, it can pinch your material against the ThinRip Guide.

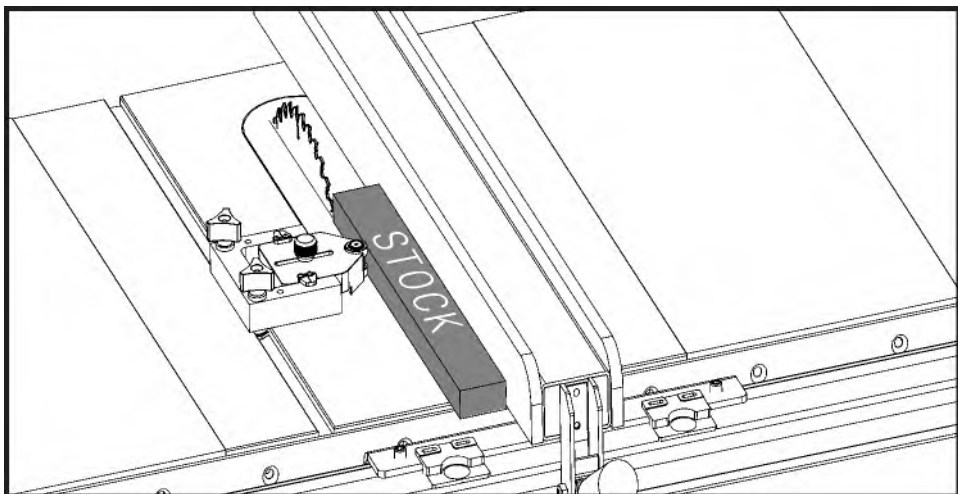
8. Test the movement of the wood and the Bearings. The Bearings should roll, but not create much resistance on the stock. If the stock is too tight, unlock the fence and relock it. It should self-align.

9. Make the cut.

10. Repeat the cut by moving your fence in, following steps 7 and 8. Repeat as needed.



◆**NOTE** The range of thickness you can cut with the ThinRip varies with the design of your table saw. Typically, you can cut strips as thin as 1/32" (or even less depending upon the wood species) and up to 1-1/4".



WARNING! To reduce the risk of injury, always use featherboards, push sticks or push blocks with proper guarding. Keep hands away from moving parts. Refer to your saw manual for proper setup and use.



WARNING! To reduce the risk of injury, wear safety goggles or glasses with side shields, ear protection & a dust mask.

Woodpeckers®

Woodpeckers, LLC Strongsville, Ohio

woodpeck.com

© 2022 Woodpeckers, LLC



woodpeck.com

At Woodpeckers we are constantly reviewing & improving our tools. The most current version of our instruction manuals are always available to download/print at woodpeck.com via the tool's page.

(Located in the bottom section of the tool page under the "Additional Information" or "Instructions" tabs.)



Be the first to know all the new products & sales by subscribing to our eClub.

(Located at the top center of our webpage woodpeck.com.)



Subscribe to our YouTube channel to stay up-to-date on all the latest tool tips & tricks.



Interact with us! Follow us on Facebook & Instagram!



WARNING! This product can expose you to chemicals, including chromium, which is known to the State of California to cause cancer and birth defects or other reproductive harm. For more information go to www.P65Warnings.ca.gov