

Original Instructions

SABRE-300 12"

Bandsaw

Version 3.3
December 2023



To register this product please visit
www.recordpower.info

It is important to register your product as soon as possible in order to receive efficient after sales support and be entitled to the full **5 year guarantee**. Your statutory rights are not affected.
Please see back cover for contact details.



Always wear safety glasses when using woodworking equipment.



Always read the instructions provided before using woodworking equipment.

Important

For your safety read instructions carefully before assembling or using this product.

Save this manual for future reference.

Contents

- 1 Explanation of Symbols
- 2 General Health and Safety Guidance
- 3 Additional Health and Safety Guidance for Bandsaws
- 4 Record Power Guarantee
- 5 Getting to Know Your Bandsaw
- 6 Specifications
- 7 Contents of the Package
- 8 Assembly
- 9 Assembly of the Optional **67052** Table Extension
- 10 Assembly of the Optional **69103** Pedal Wheel Kit
- 11 Operation and Bandsawing Practice
- 12 Maintenance
- 13 Dust Extraction
- 14 Troubleshooting
- 15 Electrical Connection and Wiring Diagram
- 16 Parts Diagrams and Lists
 - EC Declaration of Conformity

1. Explanation of Symbols

THE SYMBOLS AND THEIR MEANINGS SHOWN BELOW MAY BE USED THROUGHOUT THIS MANUAL. PLEASE ENSURE THAT YOU TAKE THE APPROPRIATE ACTION WHEREVER THE WARNINGS ARE USED.

Mandatory Instructions



Read and fully understand the instruction manual before attempting to use the machine.



Indicates an instruction that requires particular attention



Wear protective eyewear



Use respiratory protective equipment



Use hearing protection



Use suitable protective footwear



Use protective work gloves

Warning



Indicates a risk of severe personal injury or damage to the machine



Indicates a risk of severe personal injury from electrical shock



Risk of personal injury from lifting of heavy items



Indicates a risk of severe personal injury from airborne objects



Risk of fire

2. General Health and Safety Guidance

Ensure that you carefully read and fully understand the instructions in this manual before assembly, installation and use of this product. Keep these instructions in a safe place for future reference.

WARNING: for your own safety, do not attempt to operate this machine until it is completely assembled and installed according to these instructions.

WARNING: When using any machine, basic safety precautions should always be followed to reduce the risk of fire, electric shock and personal injury.

Safe Operation

1. Use Personal Protective Equipment (PPE)

- The operation of any machine can result in foreign objects being thrown into your eyes, which can result in severe eye damage. Protective eyewear or other suitable eye protection or face shield should be used at all times. Everyday spectacles only have impact resistant lenses. They are not protective eyewear and do not give additional lateral protection.
- Use respiratory protective equipment (dust mask etc.) if the machining operation creates dust. Exposure to high levels of dust created by machining hardwoods, softwoods and man made composite boards can result in serious health problems. Some imported hardwoods give off highly irritating dust, which can cause a burning sensation. The use of respiratory protective equipment should not be seen as an alternative to controlling the risk of exposure at source by using adequate dust extraction equipment.
- The use of ear plugs or ear defenders is recommended when the machine is in use, particularly if the noise level exceeds 85 dB.
- Wear suitable protective gloves when handling cutting tools or blades. Gloves should NOT be worn when using the machine as they can be caught in moving parts of the machine.
- Non-slip safety footwear is recommended when using the machine and handling large work pieces.

2. Dress appropriately

- Do not wear loose clothing, neckties or jewellery; they can be caught in moving parts of the machine.
- Roll up long sleeves above the elbow.
- Wear protective hair covering to contain long hair.

3. Safety warnings

- Find and read any warning labels on the machine
- It is important that any labels bearing health and safety warnings are not removed, defaced or covered. Replacement labels can be obtained by contacting our Customer Service Department.

4. Familiarise yourself with the machine

- If you are not thoroughly familiar with the operation of this machine, obtain advice from your supervisor, instructor, or other qualified person or contact your retailer for information on training courses. Do not use this machine until adequate training has been undertaken.

5. Take care when moving or positioning the machine

- Some machines can be very heavy. Ensure the floor of the area in which the machine is to be used is capable of supporting the machine.
- The machine and its various components can be heavy. Always adopt a safe lifting technique and seek assistance when lifting heavy components. In some cases it may be necessary to use mechanical handling equipment to position the machine within the work area.
- Some machines have optional wheel kits available to allow them to be manoeuvred around the workshop as required. Care should be taken to install these according to the instructions provided.
- Due to the nature of the design of some machines the centre of gravity will be high making them unstable when moved. Extreme care should be taken when moving any machine.
- If transportation of the machine is required then all precautions relating to the installation and handling of the machine apply. In addition, ensure that any vehicles or manual handling equipment used for transportation are of adequate specification.

6. The machine should be level and stable at all times

- When using a leg stand or cabinet base that is designed to be fitted to the machine, always ensure that it is securely fastened to the machine using the fixings provided.
- If the machine is suitable to be used on a workbench, ensure that the workbench is well constructed and capable of withstanding the weight of the machine. The machine should always be securely fastened to the workbench with appropriate fixings.
- Where possible, floor standing machines should always be secured to the floor with fixings appropriate to the structure of the floor.
- The floor surface should be sound and level. All of the feet of the machine should make contact with the floor surface. If they do not, either re-locate the machine to a more suitable position or use packing shims between the feet and the floor surface to ensure the machine is stable.

7. Remove adjusting keys and wrenches

- Ensure that all adjusting wrenches and keys are removed before switching the machine 'ON'. There is a risk of severe personal injury or damage to the machine from airborne objects.

8. Before switching the machine 'ON'

- Clear the machine table of all objects (tools, scrap pieces etc.)
- Make sure there is no debris between the work piece and the table / work support.
- Ensure that the work piece is not pressed against, or touching the saw blade or cutting tool.
- Check all clamps, work holding devices and fences to ensure that they are secure and cannot move during machining operations.
- Plan the way that you will hold and feed the work piece for the entire machining operation.

9. Whilst machining

- Before starting work, watch the machine while it runs. If it makes an unfamiliar noise or vibrates excessively, switch the machine 'OFF' immediately and disconnect it from the power supply. Do not restart until finding and correcting the source of the problem.

10. Keep the work area clear

- Working clearances can be thought of as the distances between machines and obstacles that allow safe operation of every machine without limitation. Consider existing and anticipated machine needs, size of material to be processed through each machine and space for auxiliary stands and/or work tables. Also consider the relative position of each machine to one another for efficient material handling. Be sure to allow yourself sufficient room to safely operate your machines in any foreseeable operation.
- Cluttered work areas and benches create the risk of accidents. Keep benches clear and tidy away tools that are not in use.
- Ensure that the floor area is kept clean and clear of any dust and debris that may create trip or slip hazards.

11. Consider the work area environment

- Do not expose the machine to rain or damp conditions.
- Keep the work area well lit and ensure that there is artificial lighting available when there is insufficient natural light to effectively light the work area. Lighting should be bright enough to eliminate shadow and prevent eye strain.
- Do not use the machine in explosive environments eg. in the presence of flammable liquids, gases or dust.
- The presence of high levels of dust created by machining wood can present a risk of fire or explosion. Always use dust extraction equipment to minimise the risk.

12. Keep other persons away (and pets)

- The machine is designed to be used by one person only.
- Do not let persons, especially children, touch the machine or extension cable (if used) and keep visitors away from the work area.
- Never leave the machine running unattended. Turn the power supply off and do not leave the machine unattended until it comes to a

2. General Health and Safety Guidance

complete stop.

- If the work area is to be left unattended, all machinery should be switched 'OFF' and isolated from the mains power supply.

13. Store machines safely when not in use

- When not in use, machines should be stored in a dry place, out of reach of children. Do not allow persons unfamiliar with these instructions or with the machine to operate it.

14. Do not overreach

- Choose a working position that allows your body to remain balanced and feed the work piece in to the machine without overreaching.
- Keep proper footing and balance at all times.

15. Electrical supply

- Electrical circuits should be dedicated to each machine or large enough to handle combined motor amp loads. Power outlets should be located near each machine so that power or extension cables are not obstructing high-traffic areas. Observe local electrical guidelines for proper installation of new lighting, power outlets, or circuits.
- The machine must be connected to an earthed power supply.
- The power supply must be equipped with a circuit breaker that provides short circuit, overload and earth leakage protection.
- The voltage of the machine must correspond to the voltage of the mains power supply.
- The mains plug fitted to the machine should always match the power outlet. Do not modify the plug in any way. If a replacement plug is required it should be fitted by a competent person and of the correct type and rating for the machine.
- If you are unsure about any electrical connections always consult a qualified electrician.

16. Avoid unintentional starting of the machine

- Most machines are fitted with a no-volt release (NVR) switch to prevent unintentional starting. If in doubt always ensure the machine switch is in the 'OFF' position before connecting it to the power supply. This means the machine will not automatically start up after a power cut or switching on of the power supply, unless you first reset the start switch.

17. Outdoor use

- Your machine should not be used outdoors.

18. Extension cables

- Whenever possible, the use of extension cables is not recommended. If the use of an extension cable is unavoidable, then it should have a minimum core cross section of 2.5 mm² and limited to a maximum length of 3 metres.
- Extension cables should be routed away from the direct working area to prevent a trip hazard.

19. Guard against electric shock

- Avoid body contact with earthed or grounded surfaces such as pipes and radiators. There is an increased risk of electric shock if your body is earthed or grounded.

20. Always work within the machine's intended capacities

- Operator safety and machine performance are seriously adversely affected if attempts to make the machine perform beyond its limits are made.

21. Do not abuse the power cable

- Never pull the power cable to disconnect it from the power socket. Always use the plug.
- Keep the power cable away from heat, oil and sharp edges.
- Do not use the power cable for carrying or moving the machine.

22. Secure the work piece

- Ensure that the work piece is securely held before starting to machine it.
- When working within 300 mm of the machining area, always use a push stick to feed the work piece in to the blade or cutting tool. The push stick should have a minimum length of 400 mm. If the push stick becomes damaged, replace it immediately.
- Use extra supports (roller support stands etc.) for any work pieces large enough to tip when not held down to the table top.

- Do not use another person as a substitute for a table extension, or as additional support for a work piece that is longer or wider than the basic table, or to help feed, support, or pull the work piece.
- Do not attempt to machine more than one work piece at a time.
- When feeding the work piece towards the blade or cutting tool never position your hands in direct line of the cutting path. Avoid awkward operations and hand positions where a sudden slip could cause your hand or fingers to move into the machining area.

23. Stay alert

- Safety is a combination of operator common sense and alertness at all times when the machine is being used.
- Use all machines with extreme care and do not use the machine when you are tired or under the influence of drugs, alcohol or medication.

24. Use the correct tool for the job

- Do not use the machine for any purpose other than which it was designed.
- When selecting replacement cutting tools and blades, always ensure that they are designed to cut the material that you intend to use them for. If in any doubt seek further advice from the manufacturer.

25. Connect dust extraction equipment

- Always use dust extraction equipment. The dust extractor should be of suitable size and capacity for the machine that it is connected to and have a filtration level appropriate to the type of waste being collected. Refer to the relevant section of the manual for details of the specific dust extraction requirements for this machine.
- The dust extractor should be switched 'ON' before starting the machine that it is connected to. The dust extractor should be left running for 30 seconds after the last machining operation is complete in order to clear any residual waste from the machine.

26. Ensure that the machine is correctly guarded

- Never use the machine if any of the standard safety guards and equipment are removed or damaged.
- Some machines incorporate safety interlocks to prevent the machine from being used without the guards in place. Never attempt to bypass or modify the interlocks to allow the machine to be used without the guards in place.

27. Maintain your machine with care

- This manual gives clear instructions on installation, set up and operation of the machine and also details any routine and preventative maintenance that should be performed periodically by the user.
- Remember always to switch off and unplug the machine from the power supply before carrying out any setting up or maintenance operations.
- Follow any instructions for the maintenance of accessories and consumables.
- Do not use compressed air to clean the machine. Always use a brush to dislodge dust in places that are awkward to reach and a dust extractor to collect the waste.
- Inspect electric cables periodically and, if damaged, have them replaced by an authorised service facility or qualified electrician.
- Inspect extension cables (if used) periodically and replace if damaged.

28. Keep cutting tools sharp and clean

- Correctly maintained cutting tools are easier to control and less likely to bind.
- Cutting tools and blades can become hot during use. Take extreme care when handling them and always allow them to cool before changing, adjusting or sharpening them.

29. Disconnect the machine from the power supply

- When not in use, before servicing, changing blades etc. always disconnect the machine from the power supply.

30. Check for damaged parts

- Before each use of the machine, it should be carefully checked to determine that it will operate properly and perform its intended function.

2. General Health and Safety Guidance

- Check for alignment of moving parts, binding of moving parts, breakage of parts and any other conditions that may affect the operation of the machine.
- A guard or other part that is damaged should be properly repaired or replaced by a qualified person unless otherwise indicated in this instruction manual.
- Do not use the machine if the switch does not turn the machine 'ON' and 'OFF'.
- Have defective switches replaced by a qualified person.

31. Warning!

- The use of any accessory or attachment, other than those recommended in this instruction manual, or recommended by our Company may present a risk of personal injury or damage to the machine and invalidation of the warranty.

32. Have your machine repaired by a qualified person

- This machine complies with the relevant safety rules and standards appropriate to its type when used in accordance with these instructions and with all of the standard safety guards and equipment in place. Only qualified persons using original spare parts should carry out repairs. Failure to do this may result in considerable danger to the user and invalidation of warranty.

33. Caution! Motor may become hot during use

- It is normal for motors on some machines to become hot to the touch during use. Avoid touching the motor directly when in use.

3. Additional Health and Safety Guidance for Bandsaws

Safe Operation

1. Familiarise yourself with the machine

- Machining operations using bandsaws have a history of serious accidents. Most result from contact with the moving blade while presenting material to the blade or moving it from the table. Other minor accidents can occur whilst setting, cleaning, adjusting or maintaining the machine.
- The machine is designed for cutting wood and composite board (plywood, MDF etc.). Certain plastics can also be cut using a suitable blade.

2. Before switching the machine 'ON'

- Ensure that the blade is correctly tensioned and aligned on the bandwheels and the blade guides are correctly adjusted.
- Ensure that the teeth of the blade are pointing downwards.
- Check the condition of the blade to ensure that no teeth are missing, damaged or deformed and the blade is not cracked or split. If any of these conditions apply, replace the blade immediately.
- Ensure that the saw blade type and width are suitable for the material to be cut.
- Check that the blade width is within the minimum and maximum permitted on the machine and that the thickness of the blade is suitable for the diameter of the wheel.
- Some machines have more than one cutting speed. For most wood cutting applications the faster of the speeds should be used.
- Check the condition of the table insert. Replace it immediately if it is damaged or showing signs of wear.
- Adjust the guard as close as possible to the work piece being cut.
- Check that access doors are fully closed and that the latches are secure.

3. Whilst machining

- Never apply sideways pressure to the blade as this may cause the blade to break.
- Care must be taken when cutting wood with knots, nails or cracks in it and / or dirt on it, as these can cause the blade to get stuck. If this happens, switch the machine 'OFF' immediately and follow the procedure detailed in the manual to remove the blade from the work piece.
- If cutting cylindrical timber use a suitable jig to prevent twisting of the work piece.

4. This machine falls under the scope of the 'Health and Safety at Work etc. Act 1974', and the 'Provision & Use of Work Equipment Regulations 1998'. In addition the elimination or control of risks from wood dust is included in the above regulations and the 'Control of Substances Hazardous to Health (COSHH) Regulations 2002'. We recommend that you study and follow these regulations.

Further guidance can be found in the 'Safety in the use of narrow bandsaws – Woodworking sheet No.31' and the 'Safe use of woodworking machinery' code of practice booklet (L114) published by Health and Safety Executive and available from their website www.hse.gov.uk.

4. Record Power Guarantee

“**Products**” means the Products sold by Record Power subject to these terms and conditions;

“**Record Power**” is Record Power Limited, whose company registration number is 4804158 and registered office address is Centenary House, 11 Midland Way, Barlborough Links, Chesterfield, Derbyshire, S43 4XA and sells through a network of Authorised Dealers;

“**Authorised Distributor**” is the nominated importer for your region who will generally sell through a network of Authorised Dealers. Details of Authorised Distributors for specific countries can be found in the Product manual or at www.recordpower.info;

“**Authorised Dealer**” is a retailer or business authorised to sell Record Power Products to end users.

1 Guarantee

- 1.1 Record Power guarantees that for a period of 5 years from the date of purchase the components of qualifying Products (see clauses 1.2.1 to 1.2.9) will be free from defects caused by faulty construction or manufacture.
- 1.2 During this period Record Power, its Authorised Distributor or Authorised Dealer will repair or replace free of charge any parts which are proved to be faulty in accordance with paragraphs 1.1 above provided that:
 - 1.2.1 you follow the claims procedure set out in clause 2 below;
 - 1.2.2 Record Power, our Authorised Distributor or Authorised Dealer are given a reasonable opportunity after receiving notice of the claim to examine the Product;
 - 1.2.3 if asked to do so by Record Power, its Authorised Distributor or Authorised Dealer, you return the Product, at your own cost, to Record Power's premises or other approved premises such as those of the Authorised Distributor or supplying Authorised Dealer, for the examination to take place;
 - 1.2.4 the fault in question is not caused by industrial use, accidental damage, fair wear and tear, wilful damage, neglect, incorrect electrical connection, abnormal working conditions, failure to follow our instructions, misuse, or alteration or repair of the Product without our approval;
 - 1.2.5 the Product has been used in a domestic environment only;
 - 1.2.6 the fault does not relate to consumable Products such as blades, bearings, drive belts or other wearing parts which can reasonably be expected to wear at different rates depending on usage (for full details contact Record Power or your local Authorised Distributor);
 - 1.2.7 the Product has not been used for hire purposes, by you or by a previous owner;
 - 1.2.8 the Product has been purchased by you as the guarantee is not transferable from a private sale.
 - 1.2.9 where the Product has been purchased from a retailer, the 5 year guarantee is transferable and begins on the date of the first purchase of the Product and in the event of a claim under this guarantee proof of the original purchase date will be required to validate the warranty period.

2 Claims Procedure

- 2.1 In the first instance please contact the Authorised Dealer who supplied the Product to you. In our experience many initial problems with machines that are thought to be due to faulty parts are actually solved by correct setting up or adjustment of the machines. A good Authorised Dealer should be able to resolve the majority of these issues much more quickly than processing a claim under the guarantee.
- 2.2 Any damage to the Product resulting in a potential claim under the guarantee must be reported to the Authorised Dealer from which it was purchased within 48 hours of receipt.
- 2.3 If the Authorised Dealer who supplied the Product to you has been unable to satisfy your query, any claim made under this Guarantee should be made directly to Record Power or its Authorised Distributor (for details of the Authorised Distributor in your country please see your Product manual or check www.recordpower.info for details). The claim itself should be made in a letter setting out the date and place of purchase, and giving a brief explanation of the problem which has led to the claim. This letter should then be sent with proof of the purchase date (preferably a receipt) to Record Power or its Authorised Distributor. If you include a phone number or email address this will help to speed up your claim.
- 2.4 Please note that it is essential that the letter of claim reaches Record Power or its Authorised Distributor on the last day of this Guarantee at the latest. Late claims will not be considered.

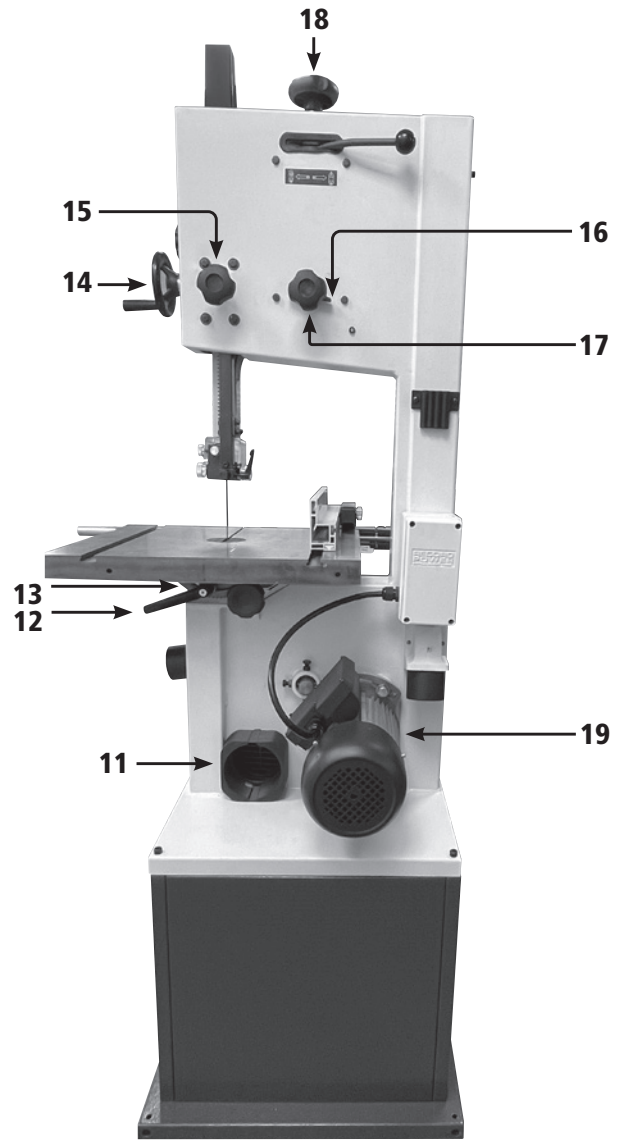
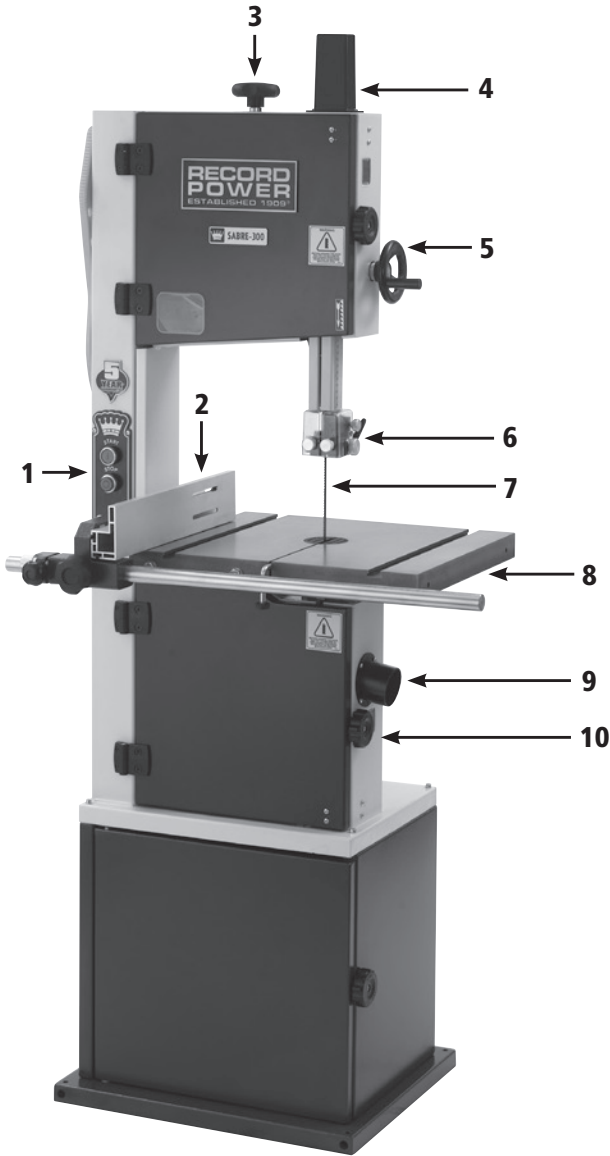
3 Limitation of Liability

- 3.1 We only supply Products for domestic and private use. You agree not to use the Product for any commercial, business or re-sale purposes and we have no liability to you for any loss of profit, loss of business, business interruption or loss of business opportunity.
- 3.2 This Guarantee does not confer any rights other than those expressly set out above and does not cover any claims for consequential loss or damage. This Guarantee is offered as an extra benefit and does not affect your statutory rights as a consumer.

4 Notice

This Guarantee applies to all Products purchased from an Authorised Dealer of Record Power within the United Kingdom of Great Britain and Northern Ireland. Terms of Guarantee may vary in other countries – please check with the Authorised Distributor in your country – (details of the Authorised Distributor for your country can be found in the manual or at www.recordpower.info).

5. Getting to Know Your Bandsaw



- | | |
|-------------------------|------------------------------------|
| 1 On and off switches | 8 Table |
| 2 Rip fence assembly | 9 Side dust extraction port |
| 3 Blade tensioning knob | 10 Lower door knob |
| 4 Guide post cap | 11 Rear dust extraction port |
| 5 Upper door knob | 12 Table locking lever |
| 6 Upper blade guides | 13 Trunnion |
| 7 Blade | 14 Blade guide position hand wheel |

- | |
|-----------------------------|
| 15 Blade guide lock |
| 16 Blade tracking knob lock |
| 17 Blade tracking knob |
| 18 Cam tension lever |
| 19 Motor |

6. Specifications

Maximum depth of cut: 254 mm
Throat depth: 292 mm
Table size: 480 x 400 mm
Table height from floor: 930 mm
Motor input P1: 1.5 kW
Motor output P2: 1.1 kW

Voltage: 230 V
Frequency: 50 Hz
Full load current: 7.6 A
Short circuit rating: 1 kA
Motor speed: 2800 rpm
Blade length: 95" (2420 mm)

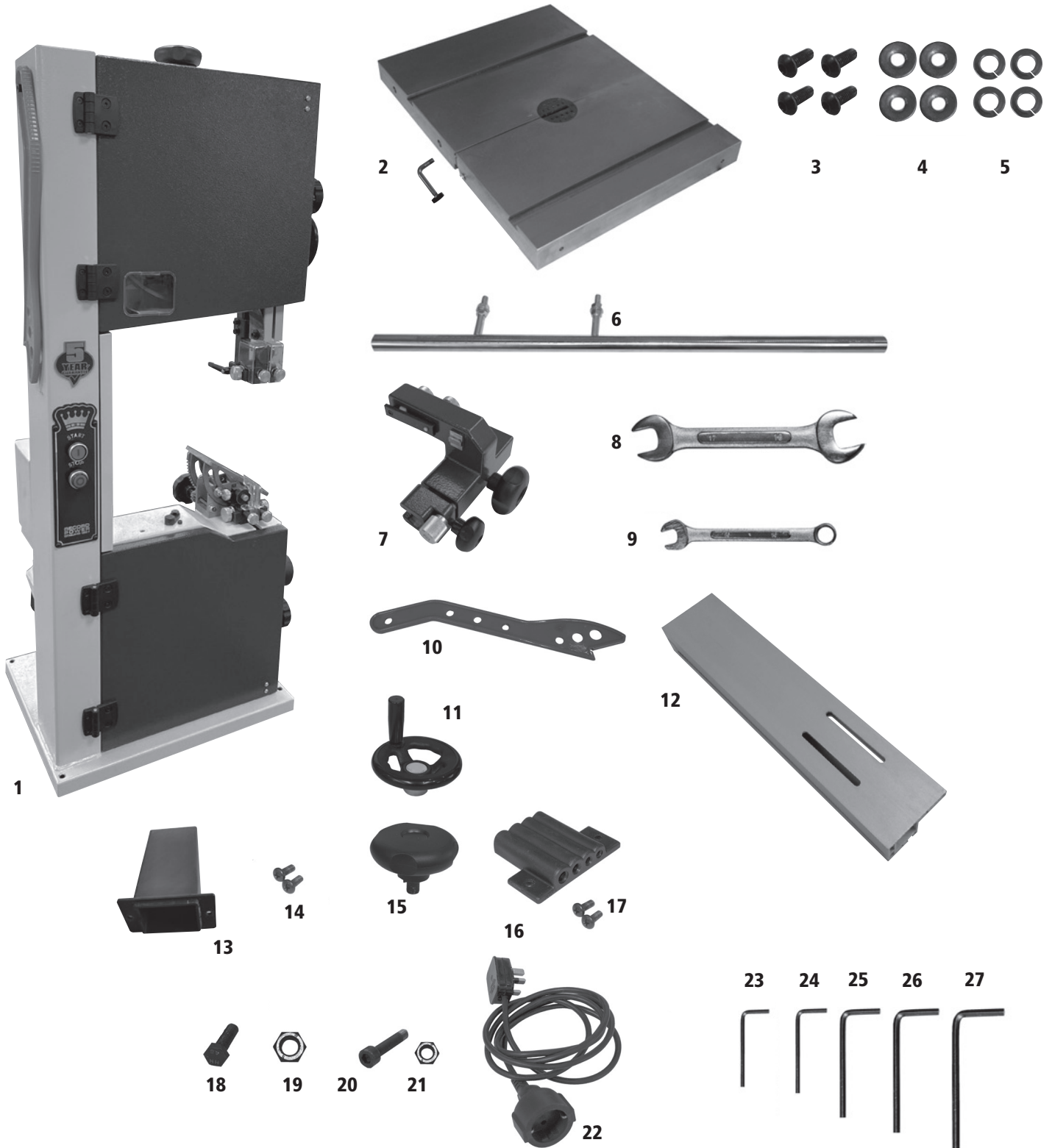
Blade width capacity: 1/4" (6.35 mm) - 3/4" (19 mm)
Blade speed: 500 m / minute and 1000 m / minute
Extraction port internal diameters: 93 and 59 mm
Extraction port external diameters: 99 and 63 mm
Weight: 89 kg
Size: H1714 x W791 x D670 mm

Sound power level: < 100 dBA
Sound pressure level: < 90 dBA
Main document number: RCBS300A

} Associated uncertainty K=4 dB measurement made in accordance with EN ISO 3746:2010

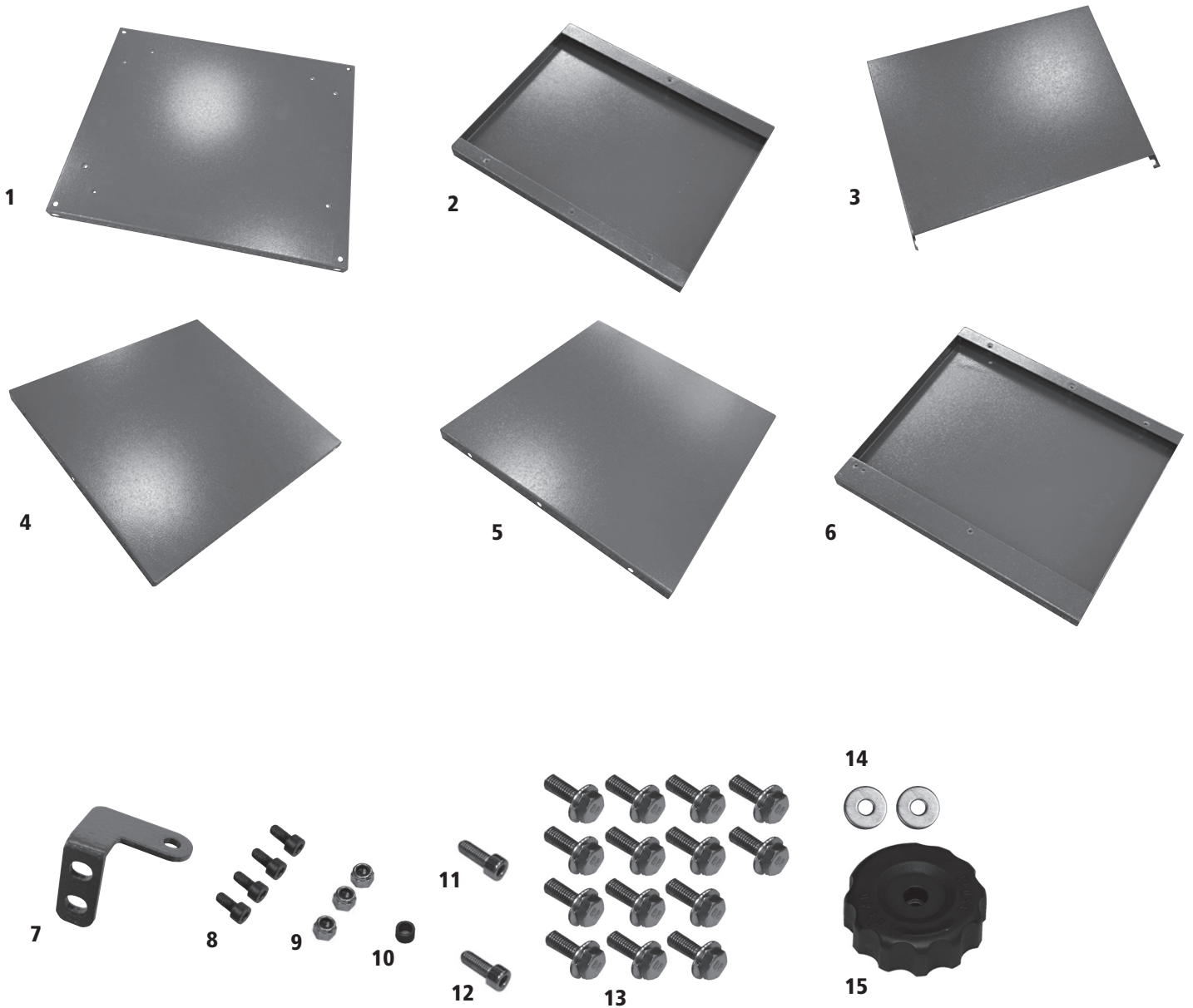
The figures quoted are emission levels and are not necessarily safe working levels. Whilst there is a correlation between the emission and exposure levels, this cannot be used reliably to determine whether or not further precautions are required. Factors that influence the actual level of exposure of the workforce include the characteristics of the work room and the other sources of noise, etc., i.e. the number of machines and other adjacent processes. Also the permissible exposure level can vary from country to country. This information, however, will enable the user of the machine to make a better evaluation of the hazard and risk.

7. Contents of the Package



- | | | | | | | | | |
|----|----------------------------|---|----|---------------------------------|---|----|----------------------------|---|
| 1 | SABRE-300 Bandsaw | 1 | 11 | Blade guide position hand wheel | 2 | 21 | M6 nut | 1 |
| 2 | Table with levelling pin | 1 | 12 | Rip fence | 1 | 22 | Power cord (UK plug shown) | 1 |
| 3 | M8 x 20 button head screw | 4 | 13 | Guide post cap | 1 | 23 | 2.5 mm hex wrench | 1 |
| 4 | Flat washer | 4 | 14 | M4 x 12 pan head screw | 2 | 24 | 3 mm hex wrench | 1 |
| 5 | Spring washer | 4 | 15 | Blade tensioning knob | 1 | 25 | 4 mm hex wrench | 1 |
| 6 | Rip fence rail and fixings | 1 | 16 | Tool holder | 1 | 26 | 5 mm hex wrench | 1 |
| 7 | Rip fence mount | 1 | 17 | M5 x 10 mounting screws | 2 | 27 | 6 mm hex wrench | 1 |
| 8 | 13/16 mm wrench | 1 | 18 | M8 x 20 hex head bolt | 1 | | | |
| 9 | 10 mm wrench | 1 | 19 | M8 nut | 1 | | | |
| 10 | Push stick | 1 | 20 | M6 x 30 hex socket head screw | 1 | | | |

7. Contents of the Package



1	Cabinet base panel	1
2	Cabinet right hand side panel	1
3	Cabinet shelf	1
4	Cabinet door	1
5	Cabinet back panel	1
6	Cabinet left hand side panel	1
7	Fixed plate	1
8	M6 x 16 socket head cap screw	4
9	M6 nylon locking nut	3
10	Bushing	1
11	M6 x 20 socket head cap screw	1
12	M6 x 25 socket head cap screw	1
13	M6 x 12 flanged hex head bolt	14
14	Washer	2
15	Cabinet door handle	1

8. Assembly



Important: Do not fully tighten the fixings until the cabinet is fully assembled.

Assembling the Cabinet Base

The cabinet base features a set of 3 holes in 3 of the 4 corners and a single set of 2 holes in the remaining corner. Ensure that the corner containing 2 holes is positioned at the front right-hand side prior to build, as shown in **Fig 8.1**.

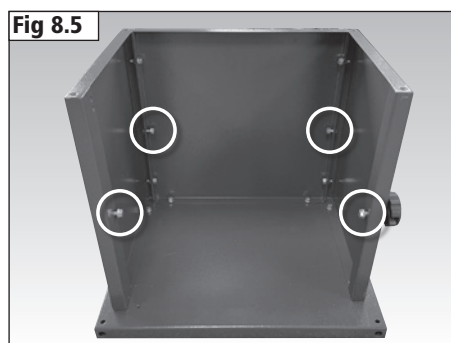
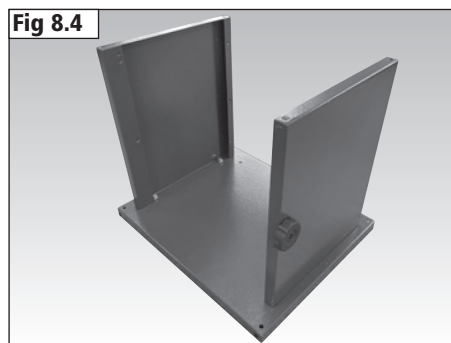
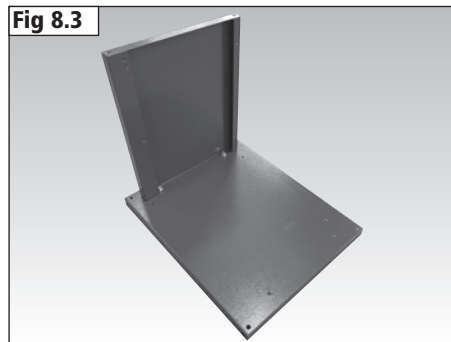
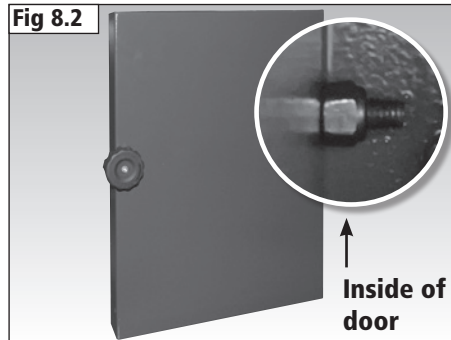
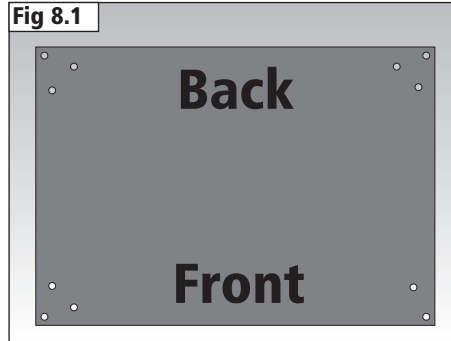
Attach the door handle to the right-hand side panel with the M6 x 25 socket head cap screw and M6 nylon locking nut as shown in **Fig 8.2**, using the 10 mm wrench and 5 mm hex wrench. Do not fully tighten as rotation of the handle is necessary to hold the door closed once fully assembled.

Attach the left-hand side panel to the base as shown in **Fig 8.3**, using 2 M6 x 12 flanged hex head bolts.

Attach the right-hand side panel to the base as shown in **Fig 8.4**, using 2 M6 x 12 flanged hex head bolts.

Attach the back panel to the inside of each side panel and on to the base as shown in **Fig 8.5**, using 6 M6 x 12 flanged hex head bolts.

Attach 2 M6 x 12 flanged hex head bolts at the front of the left and right-hand side panels, creating 4 central bolts to enable fitment of the shelf, as highlighted in **Fig 8.5**. Leave a 3 mm gap on each of the 4 central bolts until the shelf has been fitted.



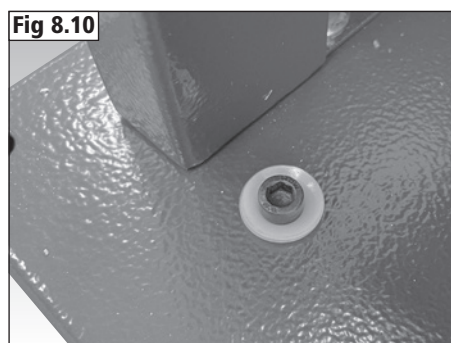
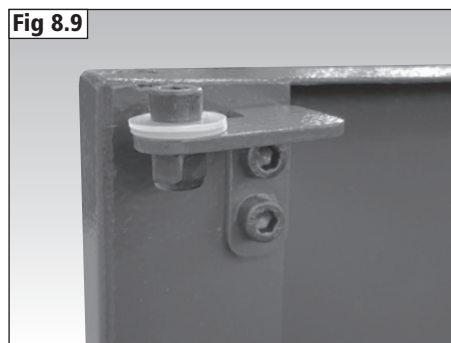
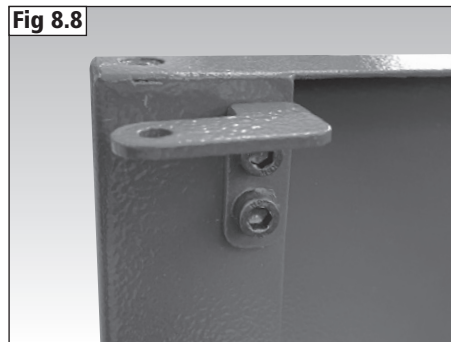
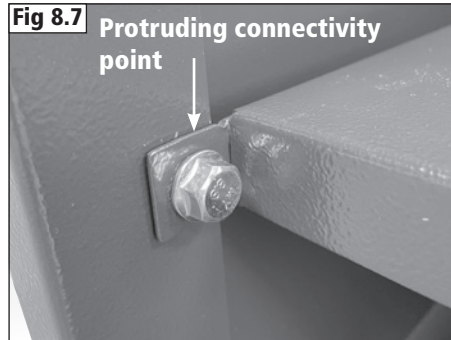
8. Assembly

Install the shelf as shown in **Fig 8.6** by placing it over the central bolts. Ensure that the protruding connectivity points on the shelf are positioned at the front, **Fig 8.7**.

Fully tighten all fixings with a 13 mm wrench to secure the structure of the cabinet base.

Attach the fixed plate to the front of the left-hand side panel, as shown in **Fig 8.8**, with 2 M6 x 16 socket head cap screws using a 5 mm hex wrench. Then, fit the M6 x 16 socket head cap screw, plastic washer and M6 nylon locking nut to the top of the fixed plate, as shown in **Fig 8.9**.

Thread the M6 x 16 socket head cap screw through the plastic washer and hole at the front left-hand side of the base, as shown in **Fig 8.10**.



8. Assembly

Attach the M6 x 20 socket head cap screw, bushing and nylon locking nut to the door as shown in **Fig 8.11** using a 10 mm wrench and 5 mm hex wrench.

Fit the door to the fixed plate by placing the location holes over the upper and lower M6 x 16 socket head cap screws, as shown in **Fig 8.12**.

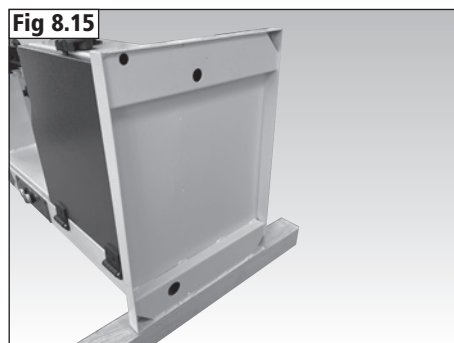
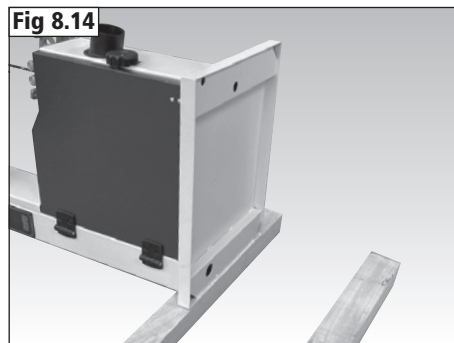
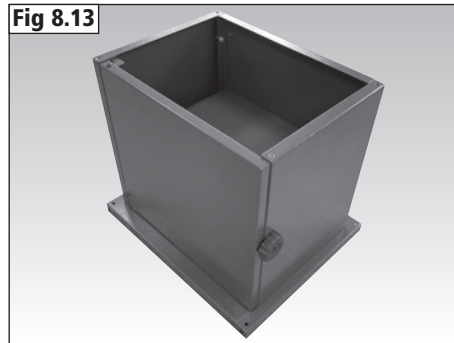
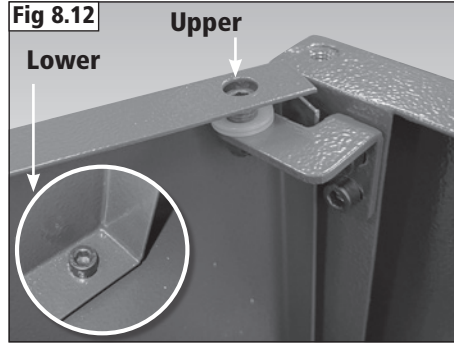
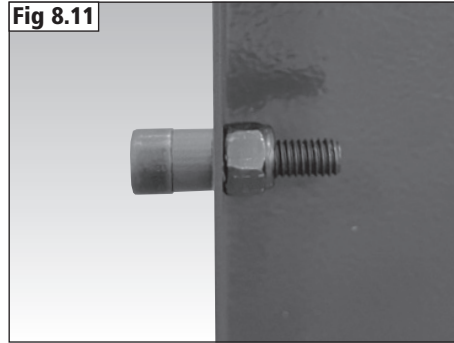
Close the cabinet door ensuring the handle locates around the screw on the door to keep it closed. The cabinet base is now fully assembled as shown in **Fig 8.13**.

Attaching the Bandsaw to the Cabinet Base



Warning: The bandsaw is very heavy and should be assembled by two people.

It is recommended to carefully lay the bandsaw on its back as shown in **Fig 8.14** onto blocks of wood to protect it from damage. Ensure the edge of the bandsaw base is aligned with the edge of the block of wood as shown in **Fig 8.15**.



8. Assembly

Secure the base to the bandsaw using the 4 M6 x 45 socket head cap screws as shown in **Fig 8.16**.

Carefully raise the bandsaw to the upright position and remove the blocks of wood.

The table trunnion has 4 holes as shown in **Fig 8.17** and the underside of the table has 4 corresponding threaded holes as shown in **Fig 8.18**. Place the table onto the trunnion as shown in **Fig 8.19**, taking care to pass the blade through the table slot without damaging it.



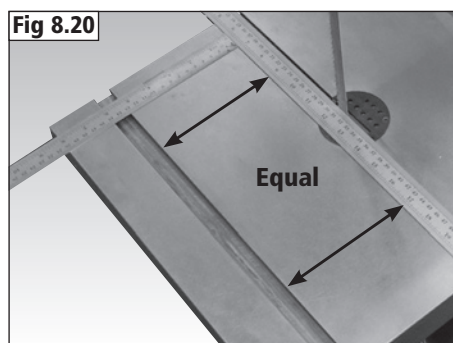
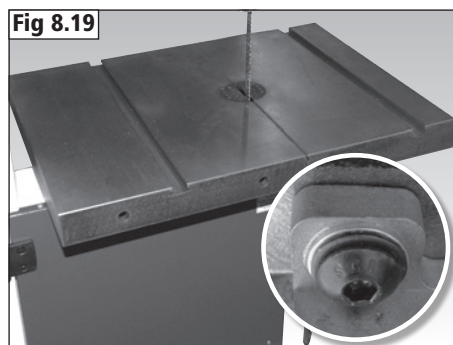
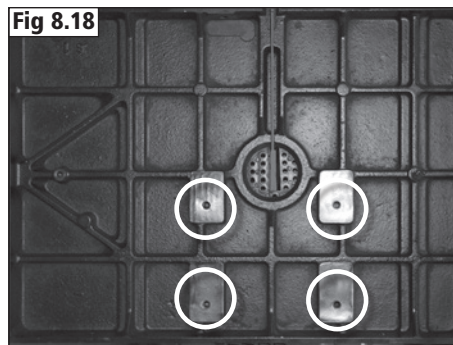
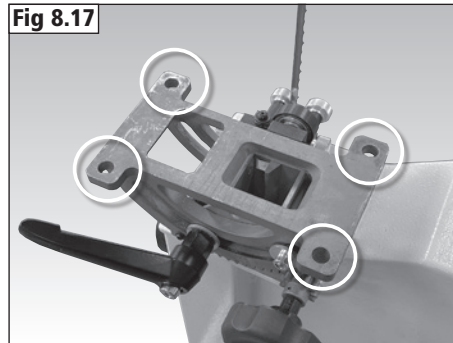
Ensure the blade slot in the table is aligned centrally with the blade.

Secure the table in place using 4 M8 x 20 button head screws, flat washers and spring washers as shown in **Fig 8.19**. Do not fully tighten until the table is aligned with the blade.

Aligning the Table to the Blade

For accurate cutting the table must be parallel to the bandsaw blade. Place a straight edge along the blade as shown in **Fig 8.20** then measure the distance between the straight edge and the mitre fence slot in the table as shown. When the distance are equal at the front and back of the mitre slot the screws can be tightened fully.

Once tightened, check the alignment and re-adjust if necessary.



8. Assembly

Positioning the Table at 90° to the Blade

Loosen the table locking handle as shown in **Fig 8.21** and rotate the table tilting knob to gain access to the underside.

Place the M8 nut onto the M8 x 25 hex head bolt and attach to the underside of the table as shown in **Fig 8.22**. This bolt acts as a table stop to ensure the table returns to the correct position when it is required to be at 90° to the blade.

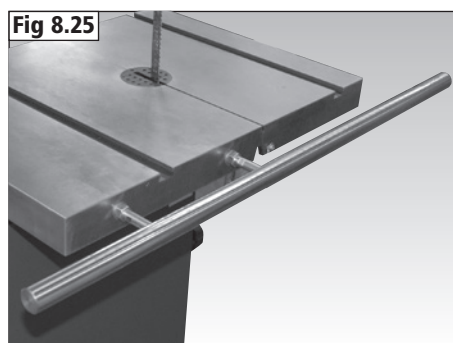
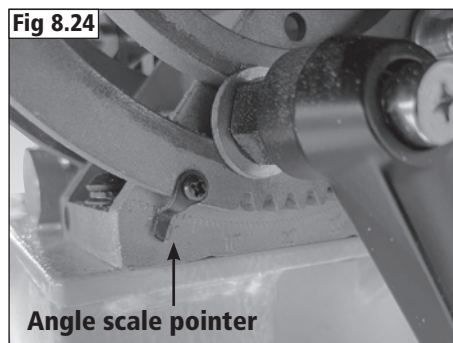
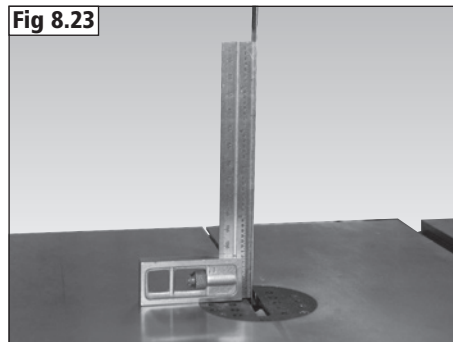
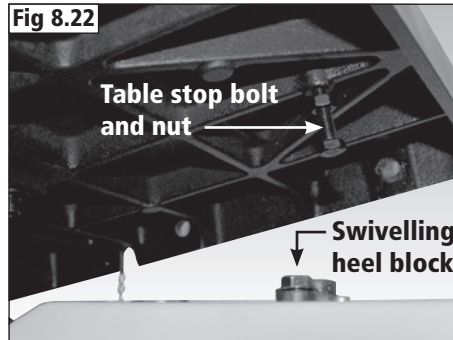
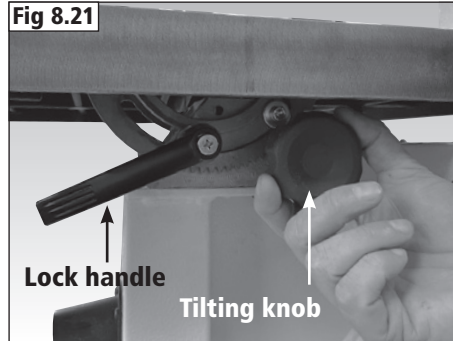
Set the stop bolt so that the table is 90° when in contact with the swivelling heel block. This is rotated out of the way of the stop bolt when you require the table to be set beyond 0° on the angle scale of the trunnion.

Set the table at 90° to the blade using a square as shown in **Fig 8.23**. Secure it in place then adjust the screw so that it touches the swivelling heel block. Secure the screw in place by tightening the nut against the table surface.

If necessary the angle scale pointer can now be adjusted to point to 0° as shown in **Fig 8.24** using a Phillips screwdriver.

Installing the Rip Fence

Fit the rip fence rail to the table as shown in **Fig 8.25**, using the nuts and washers supplied with the rail in the order shown in **Fig 8.26**.



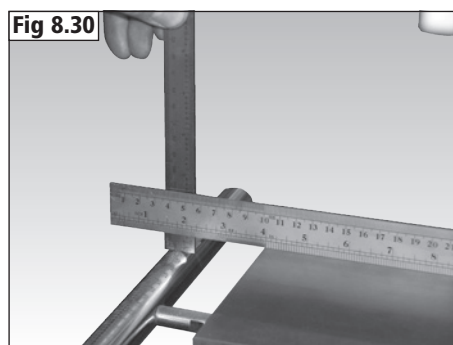
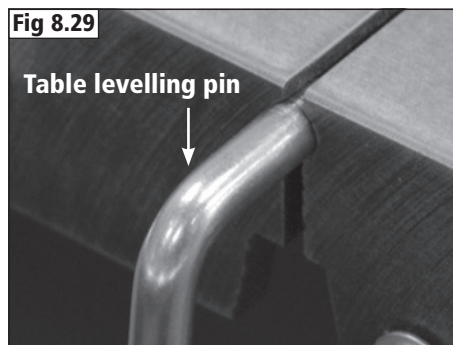
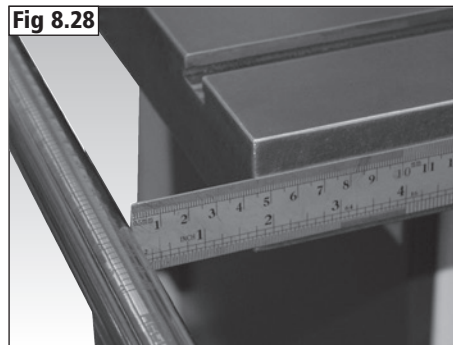
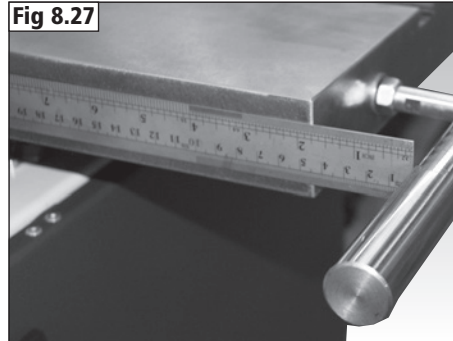
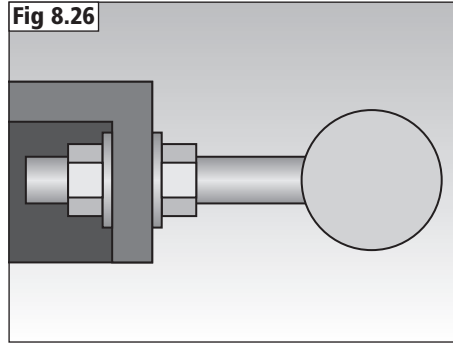
8. Assembly

Ensure the rip fence rail is parallel to the table by measuring the distance between them at one end as shown in **Fig 8.27** and ensure the measurement is the same at the opposite end as shown in **Fig 8.28**.



Important: Ensure at this stage the table levelling pin is installed as shown in **Fig 8.29**.

To ensure the **height of the rail is parallel** to the table lay a steel rule on the table surface as shown in **Fig 8.30** and measure the distance between the rule and the rail.



8. Assembly

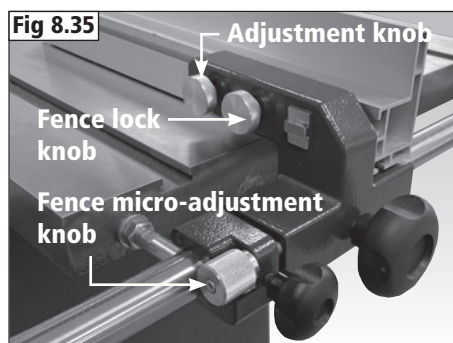
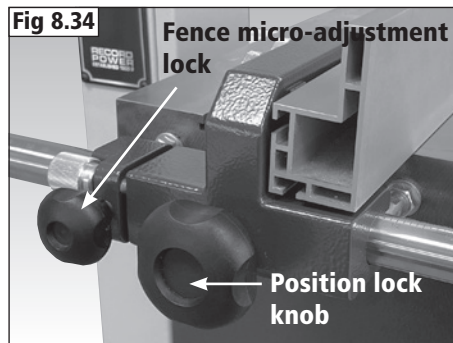
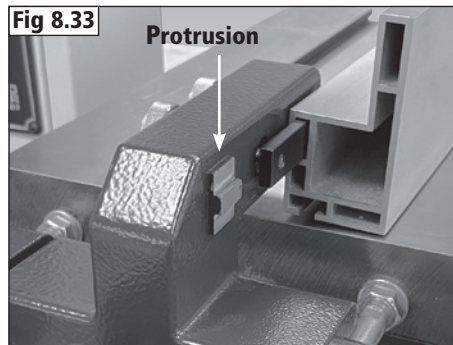
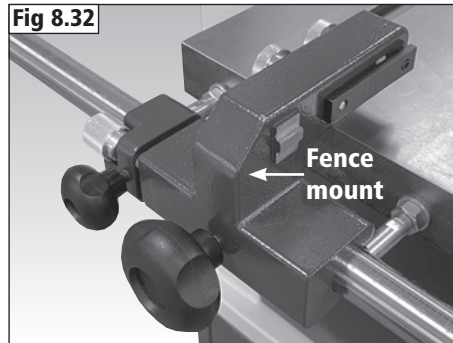
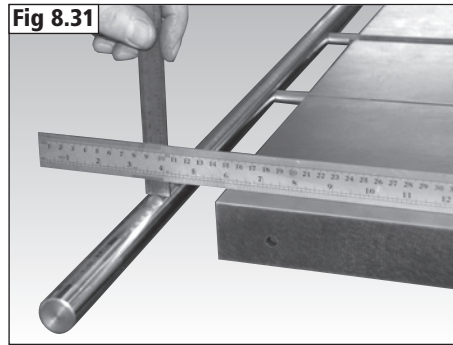
Repeat this process at the opposite end of the table as shown in **Fig 8.31**, ensuring both measurements are equal.

Fitting the Fence

Place the rip fence mount onto the rail as shown in **Fig 8.32**.

Slide the rip fence onto the mount as shown in **Fig 8.33**. Ensure the rip fence is placed fully onto the mount and locates over the protrusion as shown in **Fig 8.34**.

Secure the rip fence in place using the fence lock knob as shown in **Fig 8.35**. The fence and mount assembly is secured in place on the rail using the position lock knob as shown in **Fig 8.34**.



8. Assembly

The fence can also be fitted as shown in **Fig 8.36**. This position allows the guides to move much further down to support the blade when cutting thinner materials.

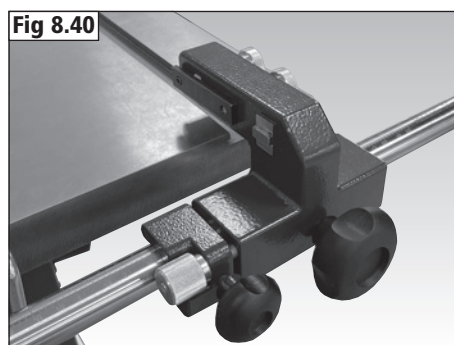
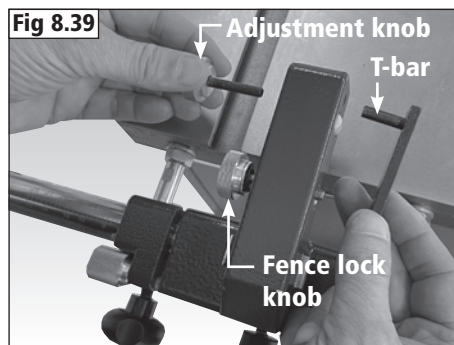
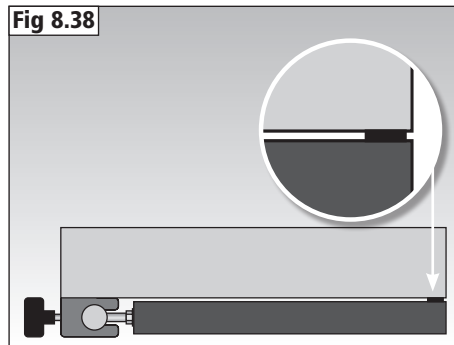
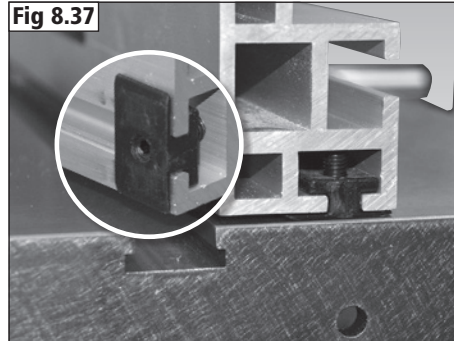
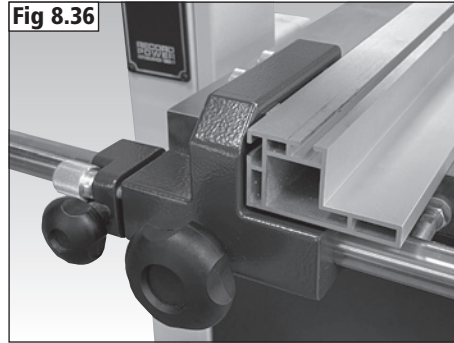
The fence features a pad at the end nearest to the rear of the machine as shown in **Fig 8.37**. This raises the fence from the table to minimise contact and improve travel of the fence across the table and mitre slot.

The height of the fence should be parallel with the table as shown in **Fig 8.38**. If adjustment is required, change the height of the rip fence rail as previously described until the fence is positioned as shown.

Mounting the Rip Fence to the Right Hand Side of the Blade

To support work when cutting with the table tilted, the rip fence can be placed to the right hand side of the blade.

Remove the rip fence from the mount. Fully unscrew the adjustment knob and fence lock knob, then remove the T-bar as shown in **Fig 8.39**. Re-fit to the opposite side of the fence mount as shown in **Fig 8.40**.



8. Assembly

Re-fit the rip fence to the mount as previously described and shown in **Fig 8.41**.

Aligning the Fence with the Blade

For accurate cutting the rip fence must be parallel to the blade as shown in **Fig 8.42**. The fence mount features a cam-mechanism adjustment for quick and easy alignment.

Loosen the fence lock knob and rotate the adjustment knob to move the fence. The fence can be moved anti-clockwise by rotating the adjustment knob anti-clockwise, as shown in **Fig 8.43** or clockwise by rotating the opposite way as shown in **Fig 8.44**.

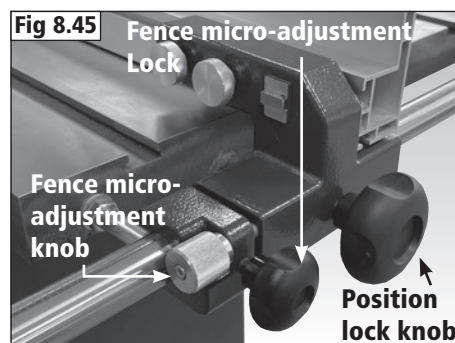
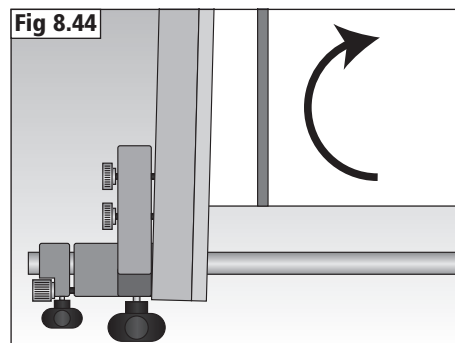
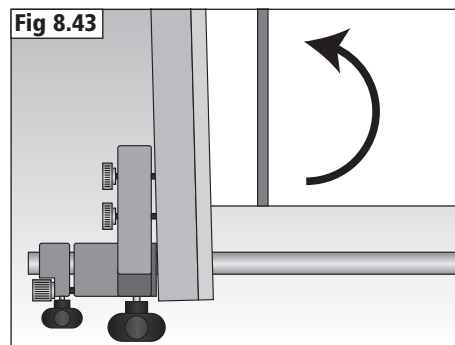
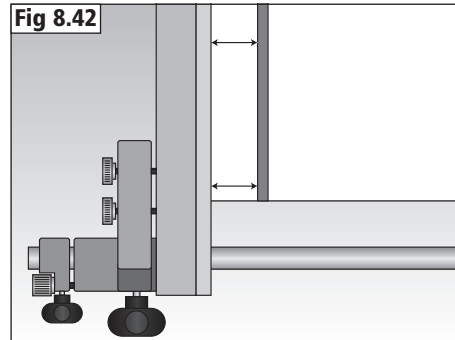
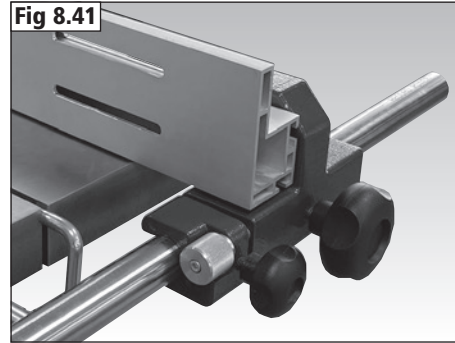
When the fence is in the desired position re-tighten the lock knob.

Rip Fence Micro-Adjustment

The rip fence can be micro-adjusted to achieve the desired position with extreme accuracy.

Before making micro-adjustment, ensure that the fence position lock knob is loosened and that the fence is positioned close to its final position.

Tighten the fence micro-adjustment lock and rotate the micro-adjustment knob clockwise to move the fence left and anti-clockwise to move right, **Fig 8.45**.



8. Assembly

Fitting the Blade Tensioning Knob

Place the tension knob onto the tensioning shaft as shown in **Fig 8.46**.

Fitting the Guide Post Cap

The guide post cap must be installed before use of the bandsaw. Its purpose is to keep the guide post covered when the guides are in the highest positions as the post will protrude from the upper band wheel box. Place the cap over the 2 threaded holes on the upper band wheel box as shown in **Fig 8.47** and secure in place with 2 M4 x 12 pan head screws.

Fitting the Hand Wheel

The hand wheel supplied must be fitted as shown in **Fig 8.48**. The hand wheel operates the guide post.

The hand wheel shaft features a flattened area as shown in **Fig 8.49**. Place the hand wheel onto the shaft as shown in **Fig 8.50**, ensuring the blind set screw is positioned over the flattened area. Tighten the blind set screw to secure the hand wheel in place using a 3 mm hex wrench.

Fig 8.46



Fig 8.47

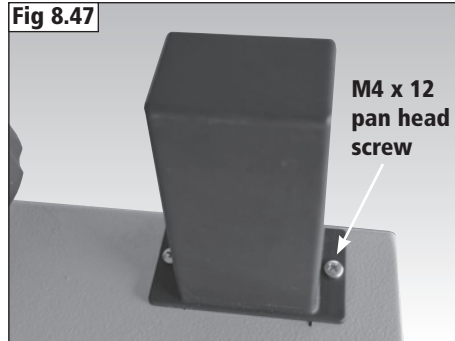


Fig 8.48

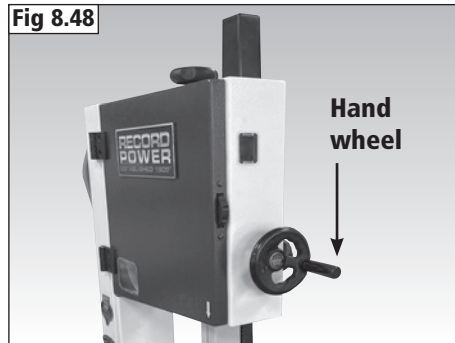


Fig 8.49



Fig 8.50



8. Assembly

Fitting the Push Stick Holder

Screw the M6 x 30 hex socket head screw to the bandsaw frame as shown in **Fig 8.51** and secure in place with the M6 nut. Place the push stick holder onto the screw as shown in **Fig 8.52**.

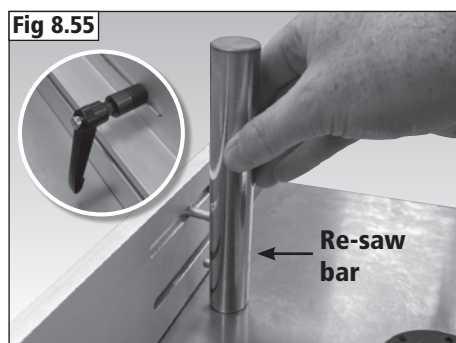
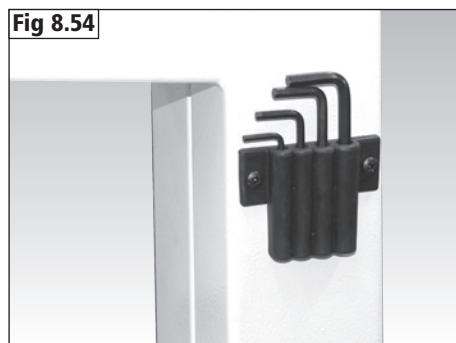
Fitting the Tool Holder

Secure the tool holder to the rear of the bandsaw spine as shown in **Fig 8.53** using the 2 M5 x 10 mounting screws supplied. The tool holder is used for storing the hex wrenches supplied with the machine as shown in **Fig 8.54**.

Fitting the Optional Re-Saw Bar

The re-saw bar can be used when cutting timber which is prone to variations in density and grain direction, particularly larger pieces. The bar is used to pivot the timber against so the feed direction can be adjusted by the operator to ensure the straightest possible cut.

Assemble the re-saw bar as shown in **Fig 8.55**, and place the bar through the slots in the fence. Fit the fixings at the rear as shown and secure the bar in place.

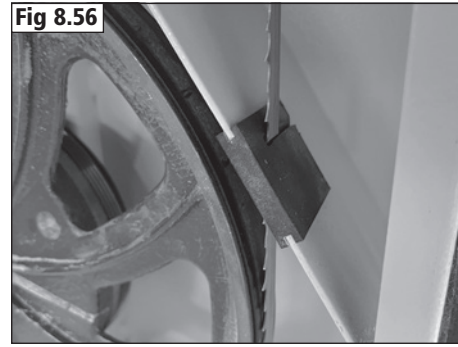


8. Assembly

Lower Cabinet Dust Cap

The machine is fitted with a dust cap in the top right-hand corner of the lower band wheel box. This is designed to aid dust extraction effectiveness and to reduce airflow leakage into the main cabinet.

The dust cap should be applied after the blade has been fitted, tensioned and tracked as shown in **Fig 8.56**.

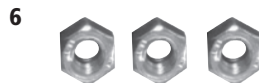
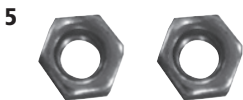
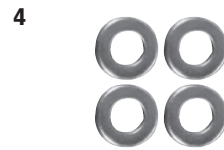
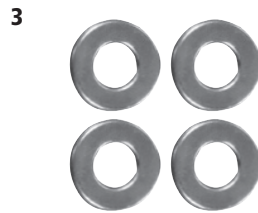
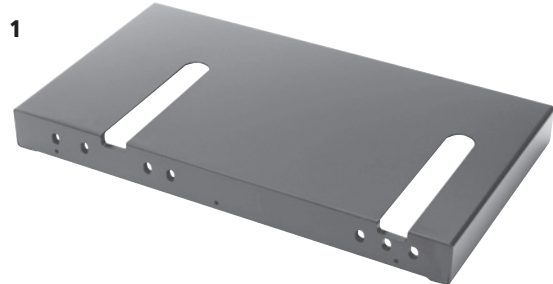


9. Assembly of the Optional 67052 Table Extension



Before attaching the table to the bandsaw check that all the contents of the package are present.

No.	Description	Quantity
1	SABRE sheet metal table extension	1
2	M8 x 25 bolt	2
3	Medium washer	4
4	Small washer	3
5	M8 nut	2
6	M6 nut	3
7	M6 x 16 blind screw set	3



Tools Required for Assembly

(Not Supplied)

3 mm hex wrench



6 mm hex wrench



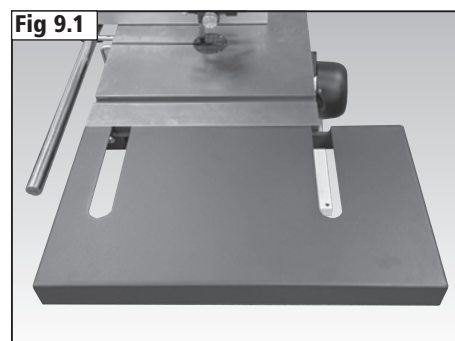
10 mm wrench



13 mm wrench

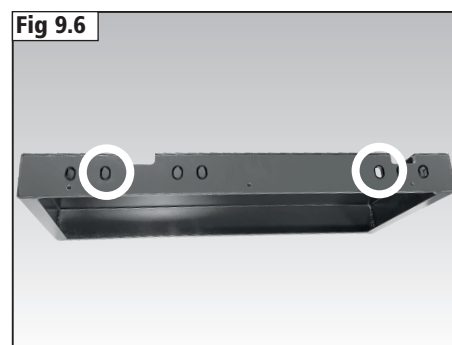
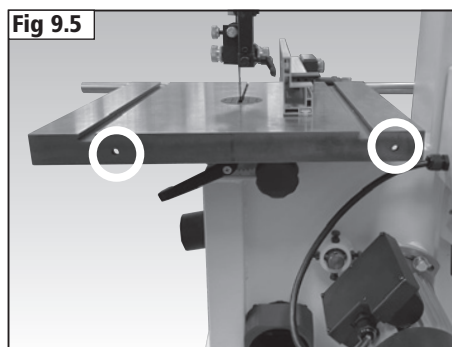
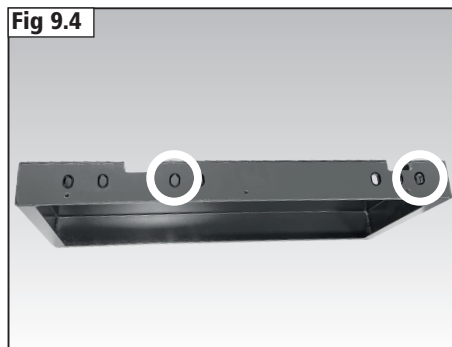
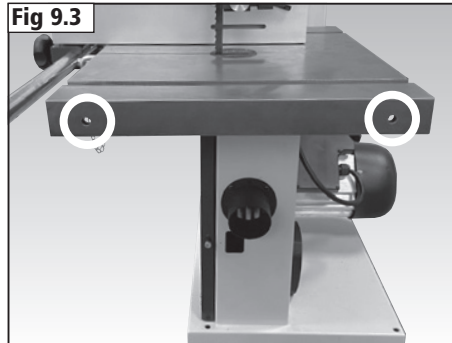
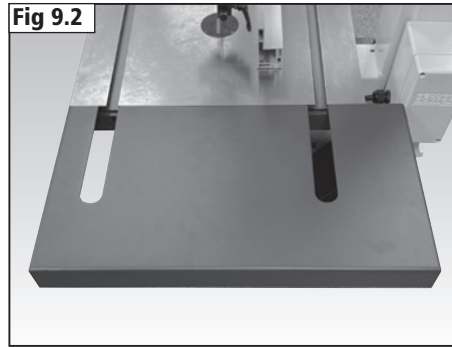


The table extension can be fitted to the side of the bandsaw as shown in **Fig 9.1** or to the rear as shown in **Fig 9.2**.



9. Assembly of the Optional **67052** Table Extension

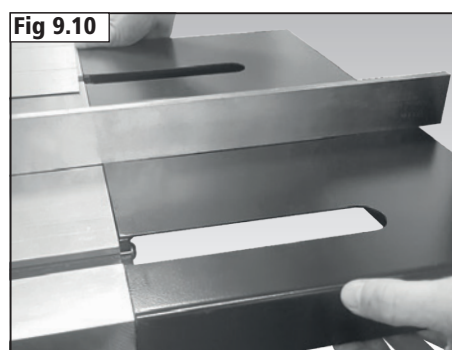
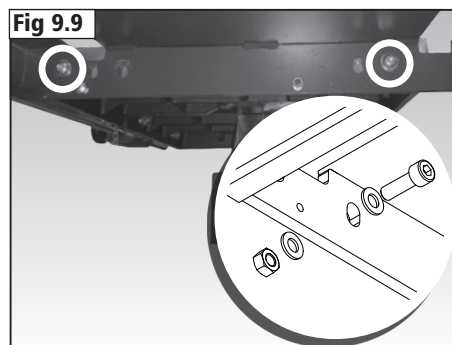
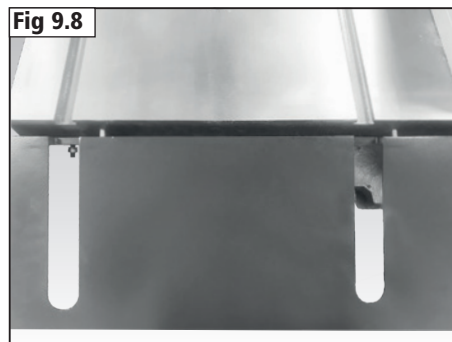
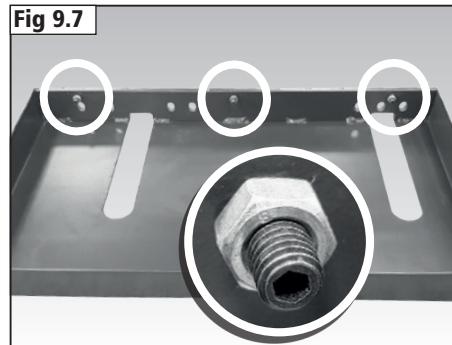
The assembly procedure is the same for both positions. To attach the extension to the side of the table, use the holes shown in **Fig 9.3** and **Fig 9.4**. To attach to the rear of the table use the holes shown in **Fig 9.5** and **Fig 9.6**.



9. Assembly of the Optional **67052** Table Extension

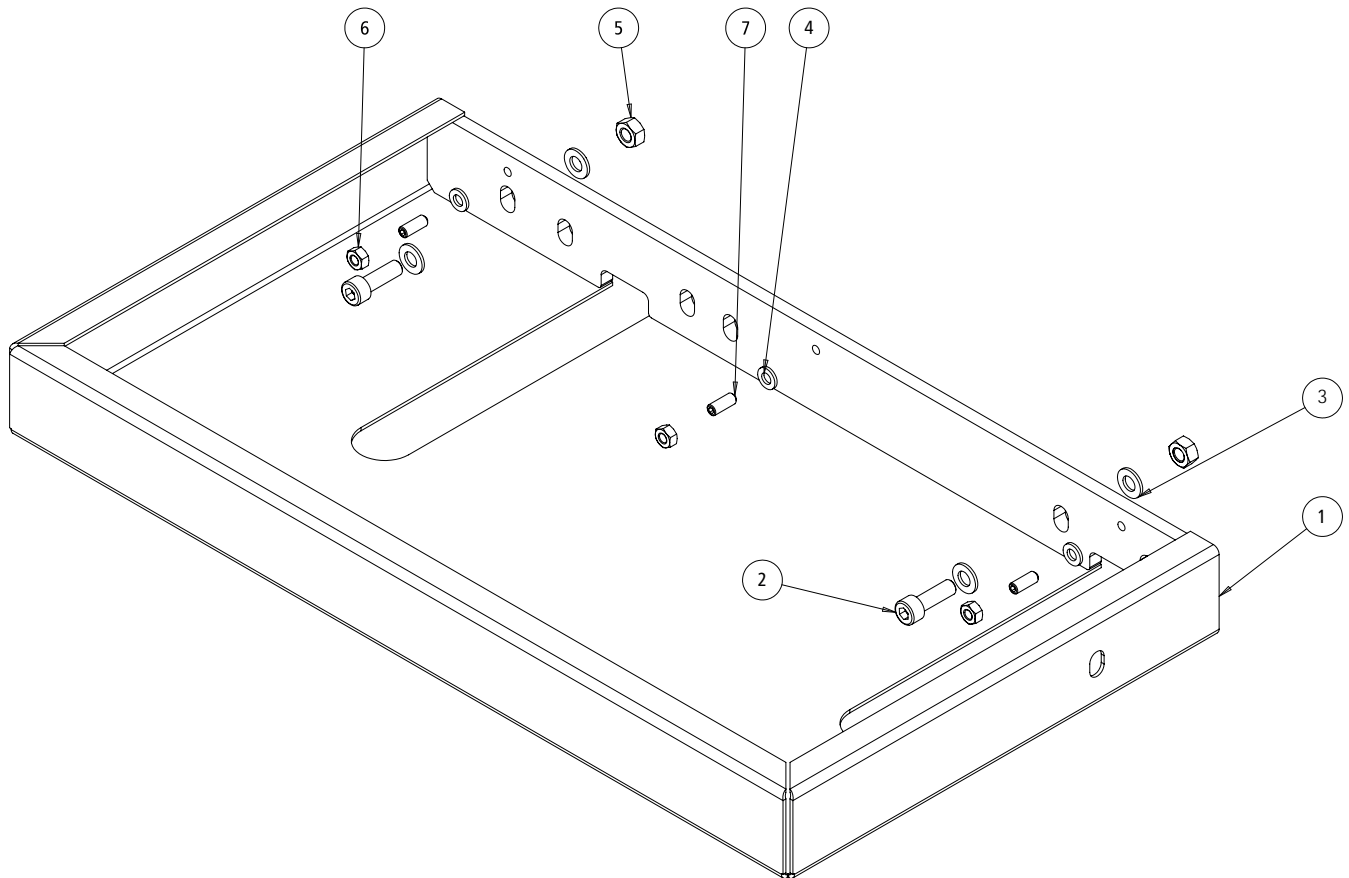
Fit the 3 blind set screws to the extension in the locations shown in **Fig 9.7** and then the M6 nuts. Attach the extension to the main table as shown in **Fig 9.8** and **Fig 9.9**, using the M8 x 25 bolts, medium washers and M8 nuts. Do not fully tighten the fixings until the table is correctly aligned.

Use a straight edge as shown in **Fig 9.10** to check alignment of the top surface of the extension to the main table at the front and back. Use the blind set screws to align the extension and main table as shown in **Fig 9.11**, ensuring the table surfaces are flush from side-to-side. Once the extension is correctly aligned, tighten both M8 nuts and lock the blind set screws in place using the M6 nuts.



9. Assembly of the Optional **67052** Table Extension

Parts List and Diagram

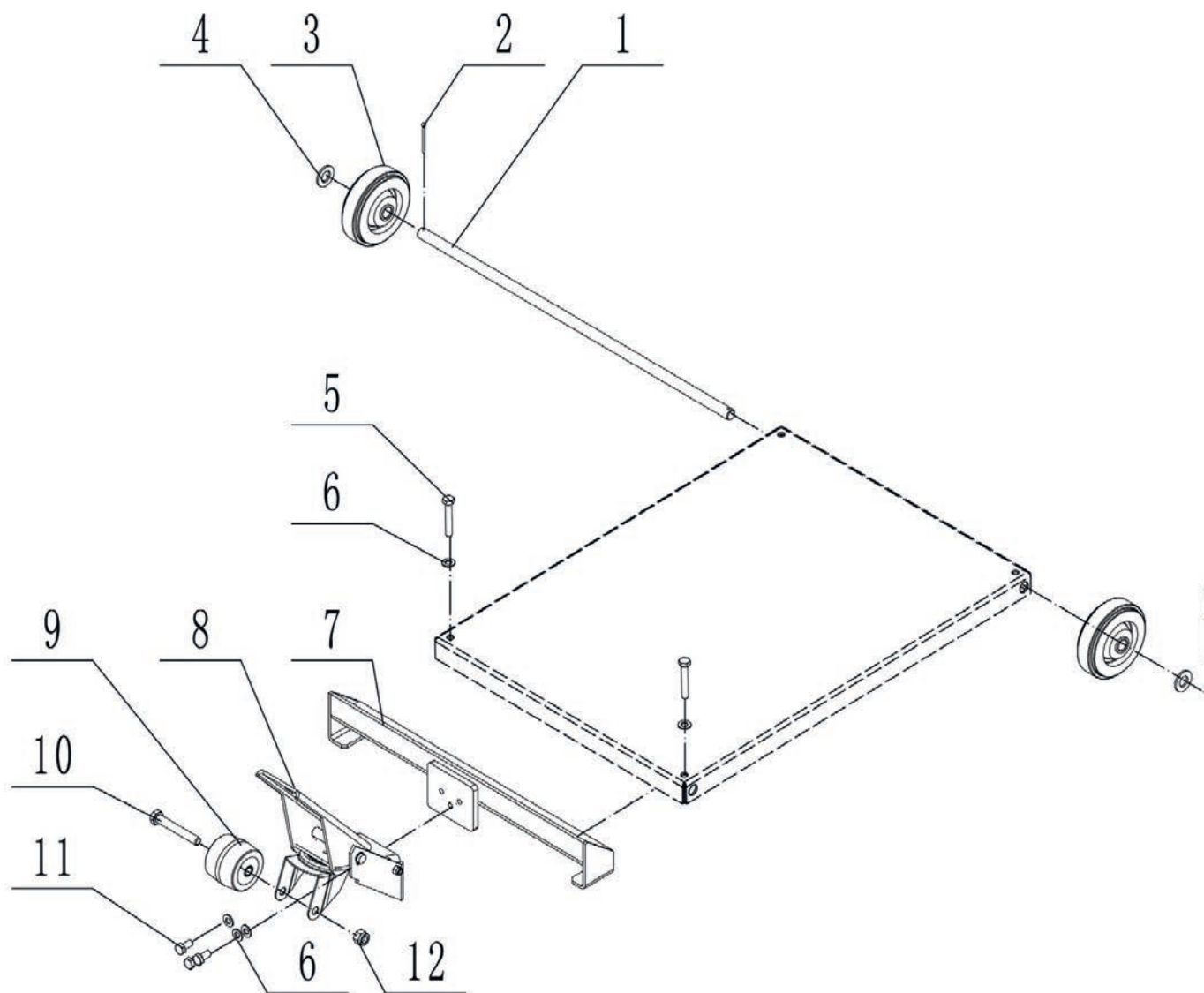


No.	Description	Part Number	Quantity
1	SABRE sheet metal table extension	67052	1
2	M8 x 25 bolt	99289	2
3	Medium washer	99226	4
4	Small washer	99311	3
5	M8 nut	CVG130-105	2
6	M6 nut	99312	3
7	M6 x 16 blind screw set	99310	3

10. Assembly of the Optional **69103** Pedal Wheel Kit



Before attaching the wheel kit to the bandsaw check that all the contents of the package are present.



No	Description	Qty
1	axle	1
2	split pin	2
3	wheel	2
4	washer	2
5	hex bolt M8 x 50	2
6	washer	5
7	bracket	1
8	pedal	1
9	wheel	1
10	hex bolt M10 x 70	1
11	hex bolt M8 x 12	3
12	lock nut M10	1

10. Assembly of the Optional **69103** Pedal Wheel Kit

Place the axle through the holes on the left-hand side of the cabinet base, as shown in **Fig 10.1**.

Fit a wheel at both ends of the axle using 2 split pins and flat washers, as shown in **Fig 10.2**.

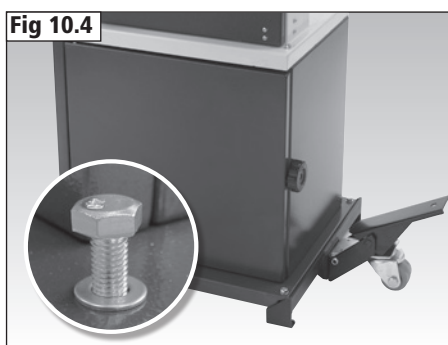
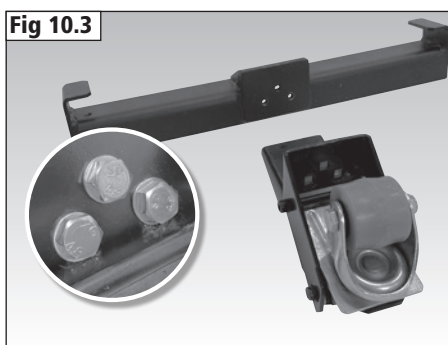
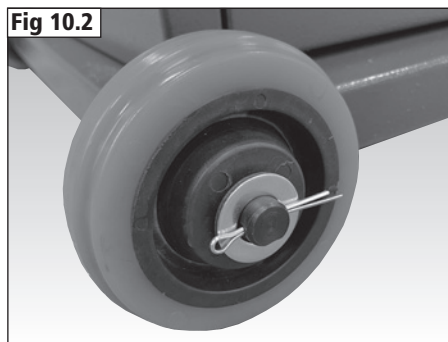
Fit the foot pedal assembly to the front bracket using 3 M8 x 12 hex bolts and washers by threading through the 3 holes located on the underside of the pedal assembly, and then into the 3 holes located on the front bracket and secure in place using a 13 mm wrench, as shown in **Fig 10.3**.

Position the front bracket under the cabinet base at the opposing end and fit using the 2 M8 x 50 hex bolts and flat washers, and secure in place using a 13 mm wrench, **Fig 10.4**.

Press the foot pedal downwards to engage the wheel kit, as shown in **Fig 10.5**.

The bandsaw can now be moved.

Raise the foot pedal into the upright position to disengage the wheel kit.



11. Operation and Bandsawing Practice



Caution: Before carrying out any adjustments or maintenance ensure that the machine is isolated and disconnected from the electricity supply.

Changing the Bandsaw Blade

Open the upper and lower band wheel box doors.

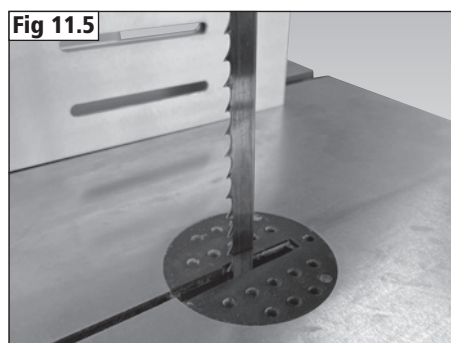
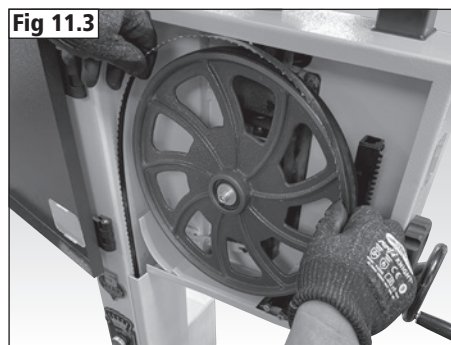
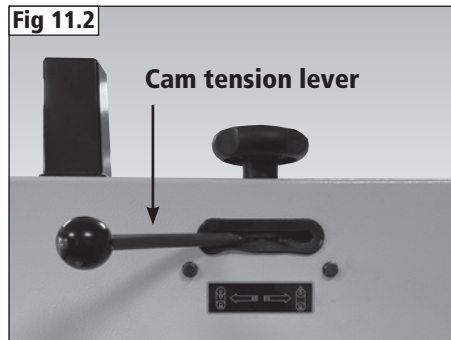
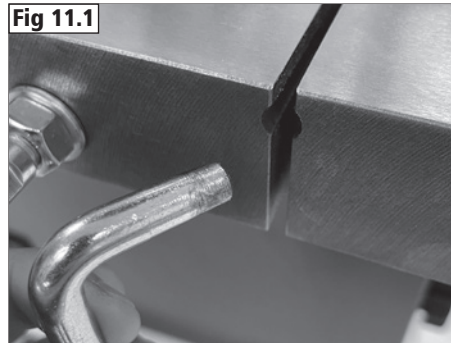
Remove the securing table levelling pin as shown in **Fig 11.1** to allow the blade to be passed through the front of the table as it is removed.

Move the cam tension lever to the left as shown in **Fig 11.2**.

Wearing protective gloves, carefully remove the blade by pulling it forwards and out from the table slot as shown in **Fig 11.3**. Ensure the left hand side of the blade is brought through the gap in the spine blade cover as shown in **Fig 11.4**.

Fit the new blade to the bandsaw, ensuring the teeth of the blade point downwards and towards the front of the machine as shown in **Fig 11.5**.

Note: If the new blade is the same size and type as the old blade, the blade tension and guide positions may not necessarily need adjusting.



11. Operation and Bandsawing Practice

Tensioning the Bandsaw Blade

Re-engage the cam tension lever and if necessary adjust the tension knob to apply the correct tension to the blade.

We suggest testing the tension by the amount the blade will deflect sideways from the upper band wheel box, as shown in **Fig 11.6**. A correctly tensioned blade should not move more than 6 mm/ 1/4" sideways.

The machine features a blade tension indicator as shown in **Fig 11.7**. This gives an approximate guide to the tension required for a variety of blade sizes.

Bandsaw blade tension can be subject to personal preferences and opinions vary on the best ways to measure the tension and of what the correct tension should be. If the blade is cutting accurately then this is the best indication that the tension (and overall machine setup) is correct. If adjusting the blade tension does not correct a poorly performing blade, this could indicate that the blade needs replacing.

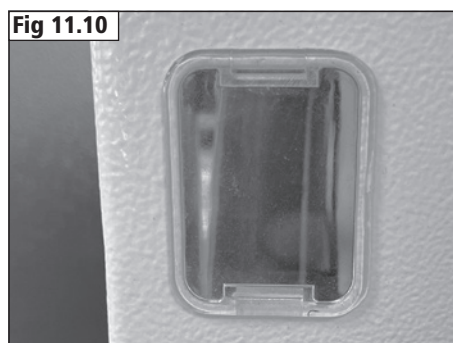
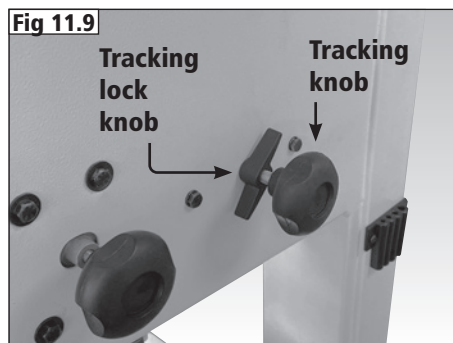
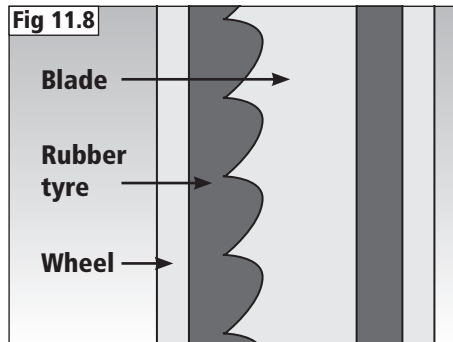
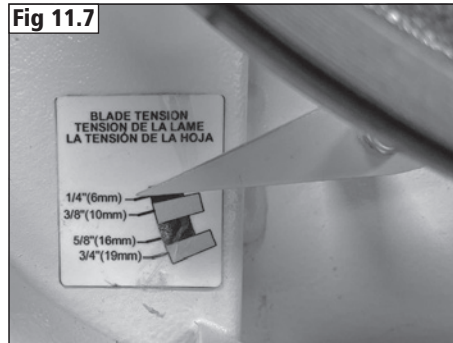
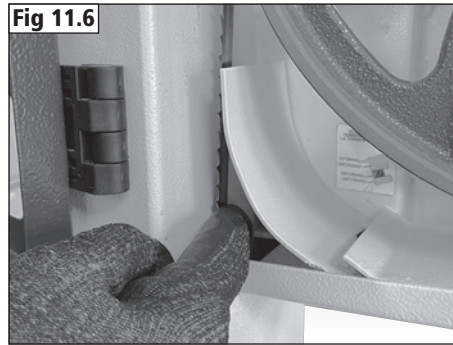
If the machine is not in use for long periods, slacken the tension to avoid placing unnecessary pressure on the blade and the bandsaw itself.

Tracking the Bandsaw Blade

A correctly tracked blade will sit centrally on the band wheels as shown in **Fig 11.8**.

To adjust the tracking, loosen the tracking lock knob and adjust the tracking knob as shown in **Fig 11.9**. Turn the knob clockwise to move the blade towards the back of the band wheel and anti-clockwise to move it towards the front. Rotate the bandwheels by hand to move the blade into position. Once the tracking is set correctly re-tighten the tracking lock knob.

To aid tracking there is an inspection window on the side of the upper band wheel box as shown in **Fig 11.10** which allows the blade position to be seen.



11. Operation and Bandsawing Practice



Important: Blade guards removed for viewing purposes only. Blade guards must be in place prior to use.

Setting the Blade Guides

Once the blade is installed, tensioned and tracked the guides must be set correctly around it.

There are 2 sets of guides on the bandsaw, one above the table and one below. Both sets comprise a pair of guides on either side of the blade and a rear guide.

The side guides should be positioned so they are just behind the blade gullet. This will ensure the teeth do not catch on the guides during operation. See **Fig 11.11**.

The side guides should also be positioned as close to the blade as possible but without touching the blade. The guides should not be touching the blade when the machine is running and not under load as constant contact will reduce the life span of the blade, See **Fig 11.12**.

The rear guide must also be placed as close as possible to the blade but not be touching it, see **Fig 11.13**.

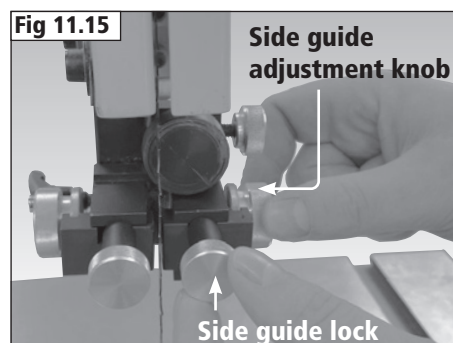
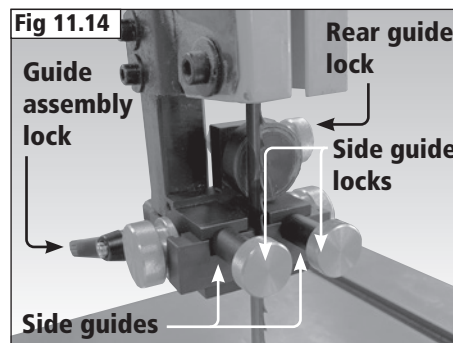
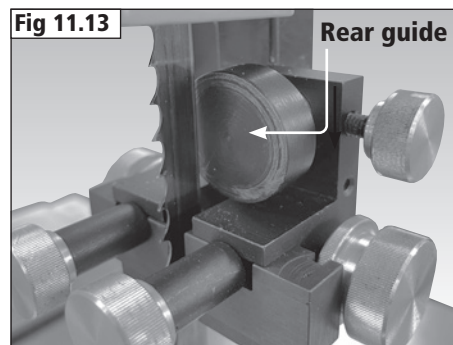
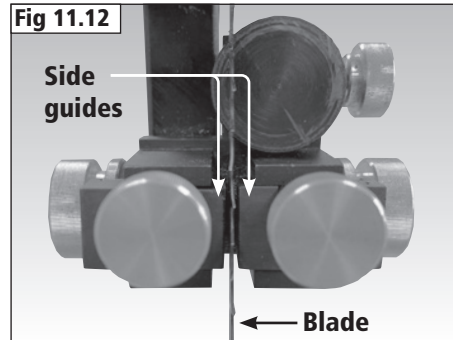
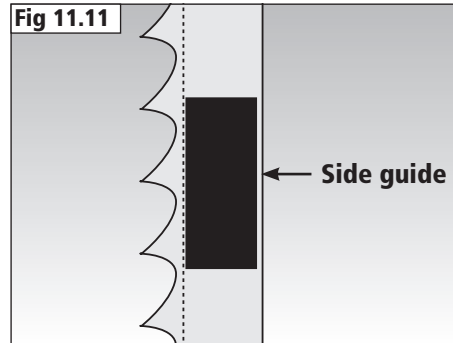


Important: When positioning the side guides behind the blade gullet take into account the possible backwards movement of the blade during cutting to ensure that the side guides do not protrude past the gullet.

Adjusting the Upper Blade Guides

To move the side guides to the correct position behind the blade gullet, loosen the guide assembly lock shown in **Fig 11.14** and move the whole guide assembly until the guides are positioned as close as possible then re-tighten the guide assembly lock.

The side guides must now be positioned as close to either side of the blade as possible. Loosen the side guide locks shown in **Fig 11.14**, position the guides correctly by rotating the side adjustment knob clockwise to bring towards and anti-clockwise to move away from the blade. Once the side guides have been correctly positioned, re-tighten the locks as shown in **Fig 11.15**.



11. Operation and Bandsawing Practice

The rear guide must now be set in the correct position. Loosen the rear guide lock knob and position the guide by moving the guide shaft as shown in **Fig 11.16**.

Adjusting the Lower Blade Guides

The lower guides are set in the same way as the upper guides. The guide assembly differs to the upper assembly slightly, as the rear guide lock knob is located on the left-hand side as opposed to the right for the upper.

Setting the Height of the Upper Blade Guides

The upper guide assembly should be set as low as possible for the cut being made to give maximum support to the blade and aid in accurate cutting.

To move the guide assembly, loosen the blade guide lock as shown in **Fig 11.17** and use the blade guide position hand wheel to raise or lower the assembly to the required height. Re-tighten the blade guide lock to ensure the guide assembly remains in place.

The blade guard features a scale as shown in **Fig 11.18**. This indicates the height of the bottom of the blade guides from the table to aid positioning.

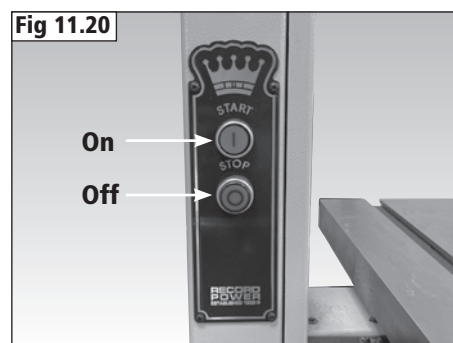
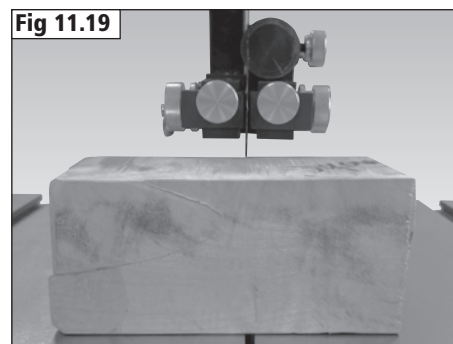
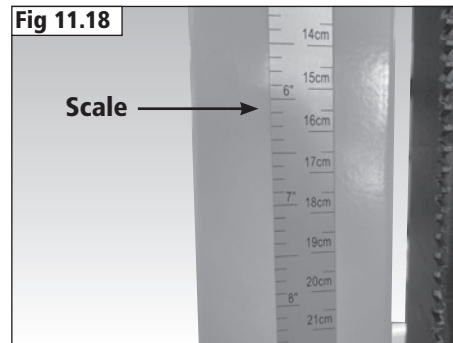
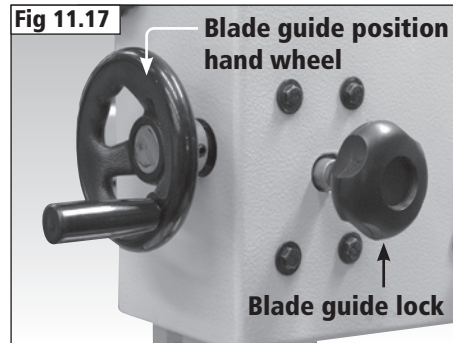
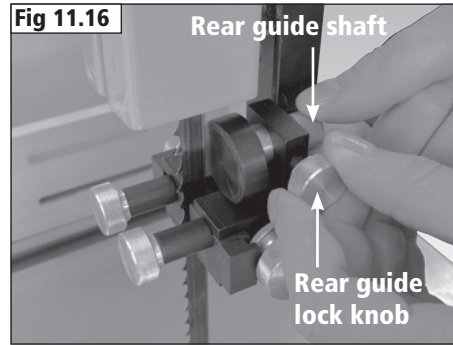
The assembly must allow the workpiece to pass beneath it as shown in **Fig 11.19**.

Turning the Bandsaw On and Off

The bandsaw is fitted with a no-volt release switch which ensures it will not unintentionally re-start after a power failure, **Fig 11.20**.

To turn the machine on press the **green** button marked 'I'.

To turn the machine off press the **red** button marked 'O'.



11. Operation and Bandsawing Practice

Changing the Speed of the Bandsaw

The SABRE-300 can run at either 500 m / min or 1000 m / min. The higher speed is suitable for cutting wood and the lower speed is suitable for cutting non-ferrous metals.



Before changing the speed, ensure that the machine is isolated and disconnected from the electricity supply.

At the rear of the machine, loosen the drive belt tension nut as shown in **Fig 11.21**, using a 17 mm wrench.

Lift and rotate the motor to the left-hand side, as shown in **Fig 11.22**.

To set the machine at the lower speed, position the drive belt on the lower band wheel pulley and motor shaft pulley as shown in **Fig 11.23**.

To set the machine at the higher speed, position the drive belt on the lower band wheel pulley and motor shaft pulley as shown in **Fig 11.24**.

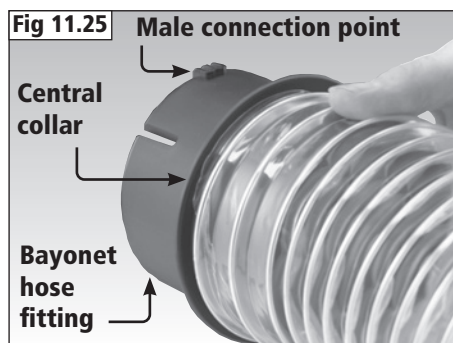
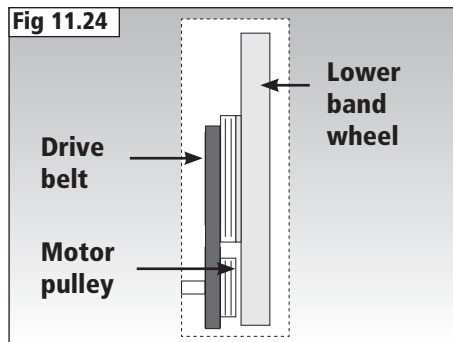
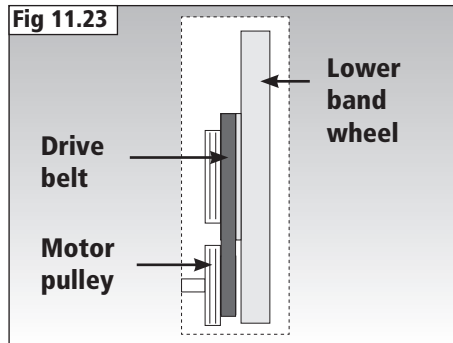
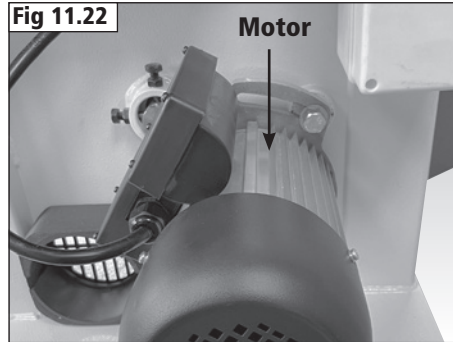
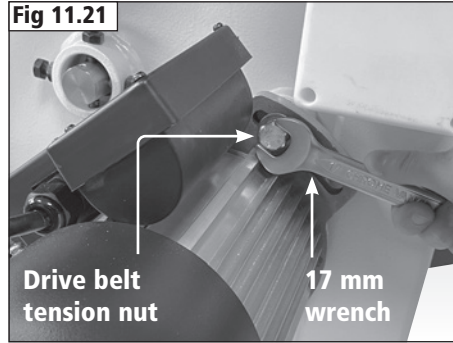


Bayonet Hose Fitting

The bayonet hose fitting comes pre-attached to the rear dust extraction port. To detach the bayonet fitting, rotate in an anti-clockwise direction, and to reattach, rotate clockwise.

Attaching the 4" Diameter Hose to the Bayonet Fitting

Attach one end of the hose onto the plain end of the bayonet fitting, making sure that the end of the hose is touching the central collar, **Fig 11.25**.

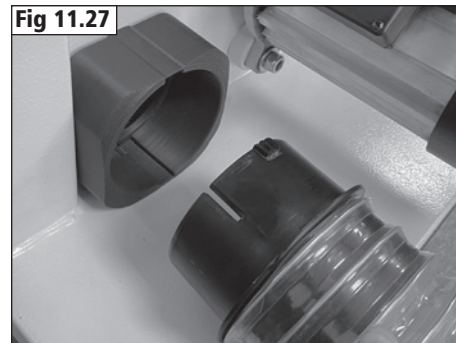
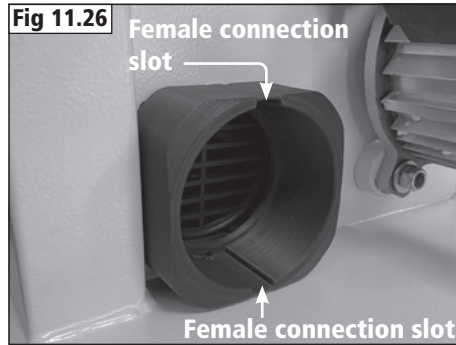


11. Operation and Bandsawing Practice

Attaching the Bayonet Fitting and 4" Hose to the Machine

Place the bayonet fitting inside the rear dust extraction port, making sure that the male connection points are correctly aligned with the female connection slots on the extraction port, **Fig 7.26** and **Fig 7.27**.

Once attached, rotate the bayonet fitting clockwise to lock in position. To unlock, rotate anti-clockwise.



11. Operation and Bandsawing Practice

Basic Bandsawing Principles

- The blade cuts on a continuous down stroke.
- Slowly feed the workpiece towards the blade, using only light pressure whilst letting the blade do the cutting. Always use a push stick and take care.
- Firmly hold the workpiece and feed it towards the blade slowly, using the push stick and keeping your hands well away from the blade.
- For best results the blade must be sharp. Damaged or worn blades should always be replaced.
- Select the correct blade for the job, depending on the thickness of the wood and the cut to be made (see blade selection).
- For straight cutting use the rip fence supplied.
- When cutting shapes, follow the design marked out by pushing and turning the workpiece evenly. Do not attempt to turn the workpiece without pushing it, as this may cause the workpiece to get stuck, or the blade to bend.



CAUTION! Particular care should be taken towards the end of the cut as there will be a sudden decrease in resistance and care must be taken to stop hands from being thrown towards the blade. Always use a push stick.

Always ensure that your machine is properly maintained and clean. Before commencing work on an important project, it is advisable to familiarise yourself with the operation of the equipment by practising on low value or scrap materials.



WARNING! In circumstances such as cutting deep or wet timber, the work piece may close up behind the blade causing it to stall. In the event that the blade stalls whilst cutting, ease the work piece backwards slightly, to release feed pressure from the blade. Allow the blade to reach full speed before continuing to feed the work piece in to the blade. If the blade fails to move when feed pressure is released, immediately switch off the machine and disconnect the power supply before attempting to free the blade from the work piece.



WARNING! If any component of the machine fails whilst in use or if the blade should break whilst the machine is running, immediately switch off the machine and disconnect from the power supply. Remove the faulty component and replace only with genuine Record Power replacement parts. Any electrical components should only be replaced by a suitably qualified person. To replace a broken blade, please refer to the section of this manual entitled "Band saw Blade Set Up". Always remember to fully release the blade tension mechanism before attempting to fit a new blade. If you are in any doubt about using the machine following a failure or if you need to order replacement spare parts or blades, please contact customer services in your country.

Restarting

In the Event of a Blockage or if the Machine Stalls

If the bandsaw stalls due to the blade becoming trapped in the work piece, switch it off immediately by pressing the stop button and wait for the machine to come to a complete stop before proceeding further.

If the blade is trapped within the work piece, it may be necessary to prise the work piece apart slightly using a suitable lever or wooden wedge in order to free the blade. If it is not possible to free the blade using this method, then it may be necessary to cut the blade using suitable side cutters or tin snips.

Replace the blade if necessary and ensure that it is correctly tracked and tensioned and that both doors of the bandsaw are fully closed and secured before attempting to re-start the machine.

To re-start the machine, press the green button marked 'I' on the switch.

In the Event of a Power Failure

The bandsaw is fitted with a no volt release (NVR) switch to protect the user against automatic starting of the machine when power is restored after a power failure.

In the event of a power failure, first locate and rectify the source of the failure. If the fault is within the power circuit of the workshop, there may be an underlying cause (circuit overload etc.) that should be investigated by a qualified electrician, before attempting to restore the power source. If a cutting operation was taking place when the power supply was interrupted, then it may be necessary to free the blade from the work piece before attempting to re-start the machine.

Once the power is restored, the machine can be re-started by pressing the green button marked 'I' on the switch.

Blade Selection (TPI)

The selection of the best blade configuration (see page 34) is necessary for optimum cutting performance.

- Correct blade choice is primarily dependant on two factors: material thickness and material type.
- Greater TPI should be selected as material thickness decreases.
- However, if the TPI is too great, the tooth loading will be insufficient to enable penetration; and cutting. The teeth will also rapidly lose their sharpness.
- For thicker material a lower TPI should be used otherwise the gullet will not be sufficient to clear the waste and the blade will stall or burn the wood.
- In general a minimum of 3 teeth should be in contact with the wood at all times during cutting.

The accompanying blade selection chart (see the table below) gives guidance on the TPI that should give the best results when cutting a variety of material types and thickness. The table below provides recommendations on selecting the correct blade for a variety of commonly used materials. If in doubt about any aspects of blade selection contact Customer Services in your country.

The table provides a guide to selection only. Exact tooth configurations are not always available, nor are all blade configurations covered, but the principles remain the same.

For special applications, custom blades can be supplied please call Customer Services in your country and we can advise you accordingly on your specific needs.

11. Operation and Bandsawing Practice

Material	Material Thickness			
	<6 mm	6-12 mm	12-25 mm	>25mm
Perspex	16 TPI	14 TPI	-	-
Chipboard	-	6 TPI	3-6 TPI	3-4 TPI
Fibre board	16 TPI	14 TPI	-	-
Hardboard	10 TPI	-	-	-
Plywood	10 TPI	8 TPI	6 TPI	3-4 TPI
Strawboard	14 TPI	10 TPI	-	-
Cork	14 TPI	6 TPI	3 TPI	3-4 TPI
Leather	14 TPI	-	-	-
Rubber	10 TPI	8 TPI	-	-
Wood -log	-	-	-	3-4 TPI
Wood -soft	6 TPI	3-6 TPI	3-4 TPI	3-4 TPI
Wood -hard	6 TPI	3-6 TPI	3-4 TPI	3-4 TPI
Wood -wet	-	-	-	3-4 TPI

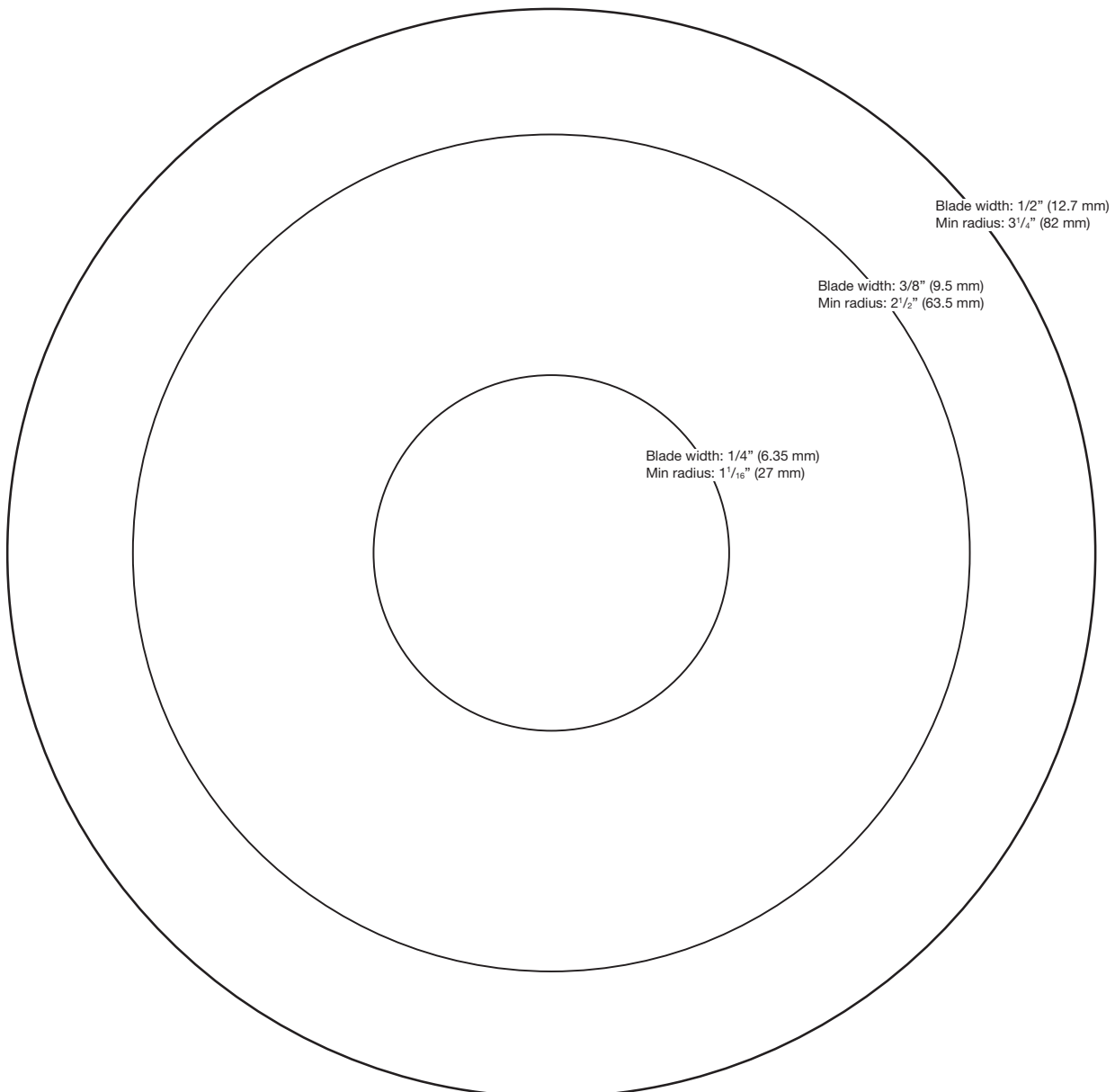
Blade Selection (TPI) - Cont.

Having selected an appropriate blade for the particular thickness and type of material to be sawn, it is essential that the saw blade is allowed to cut freely by not applying too much pressure.

- The need for excessive pressure is likely to be a result of the incorrect blade selection or a worn blade and will result in inaccurate cutting and possibly blade breakage.

Blade Selection (Width)

- When cutting shapes, the width of the blade limits the minimum radius that can be cut.
- If the blade is too wide for the cutting radius the blade will twist and possibly jam or break.
- The smaller the radius the narrower the blade has to be. The diagram below provides guidance on the minimum radius to be cut with the most commonly used blade widths.



11. Operation and Bandsawing Practice

Blade Selection Summary

To see how TPI and width of the blade come together, use the table opposite for reference.

- Regularly examine the blade for excessive damage or cracking as a result of fatigue. If such damage is present replace the blade.
- It is important to use a sharp blade. Dull teeth result in increased feed pressure producing a poor quality finish and an inaccurate cut.

BB9514-3PACK Pack of 3 Blades for SABRE-300
(1/4", 3/8" and 5/8")

Record Power SABRE-300 Blade Range

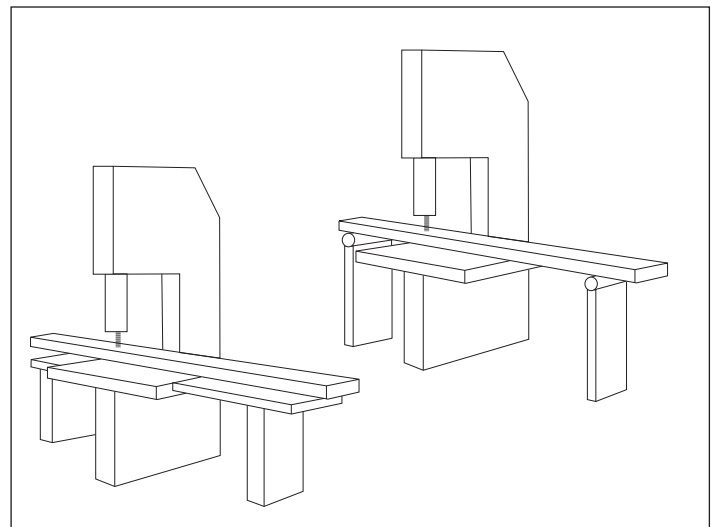
Record Power's high performance bandsaw blades are manufactured to the highest quality tolerances using a specialist premium high carbon steel strip. The extensive quality control program which involves digital tooth profile checks, set analysis, straightness testing, hardness testing and micro structural analysis results in a blade that cuts straighter and has harder, longer lasting teeth. A premium British blade that can last up to ten times longer than other blades on the market. To order any of these blades please contact Record Power Customer Services in your country who will advise you of your nearest retailer or alternatively a mail order supplier.

		Narrow Blade		Wide Blade	
		Application TIGHT CONTOUR	Application MEDIUM CONTOUR	Application STRAIGHT CUT / LARGE CONTOUR	
Coarse Blade ↑ ↓ Fine Blade	Material Thick / Soft Timber	Blade Spec width 1/4" (6.35 mm) teeth 4 TPI	Blade Spec widths 3/8" (9.5 mm) teeth 4 TPI	Blade Spec widths 1/2" (12.7 mm) teeth 4 TPI	
	Material General Timber	Blade Spec width 1/4" (6.35 mm) teeth 4 - 6 TPI	Blade Spec widths 3/8" (9.5 mm) teeth 4 - 6 TPI	Blade Spec widths 1/2" (12.7 mm) teeth 4 - 6 TPI	
	Material Thin / Hard Timber	Blade Spec width 1/4" (6.35 mm) teeth 6 TPI	Blade Spec widths 3/8" (9.5 mm) teeth 6 TPI	Blade Spec widths 1/2" (12.7 mm) teeth 6 TPI	

Custom Jigs & Work Support

A bandsaw is one of the most versatile machines in the workshop and with careful preparation many problems encountered on a job can be overcome. By making and using custom jigs repetitive and accurate work can easily be achieved, the following illustrations are some examples of typical jigs and supports used on a bandsaw.

Ex. 1. Supporting large workpieces with roller stands or take off tables.



12. Maintenance



Before carrying out any adjustments or maintenance ensure that the machine is isolated and disconnected from the electricity supply.

Replacing the Drive Belt

Remove the bandsaw blade and loosen the drive belt tension nut as shown in Fig 12.1.

Remove the drive belt from the motor pulley and tension pulley as shown in Fig 12.2.

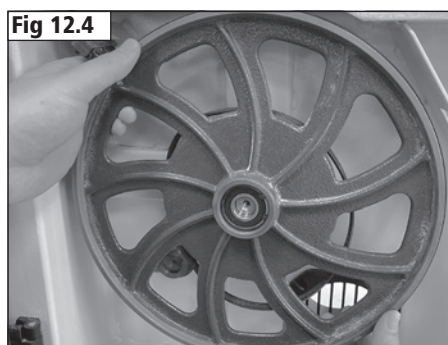
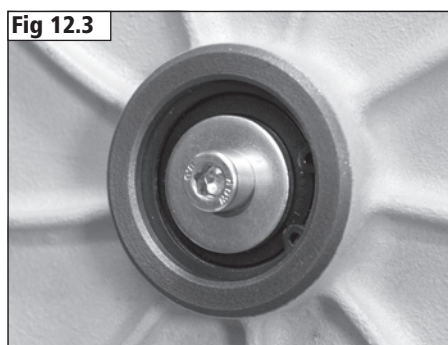
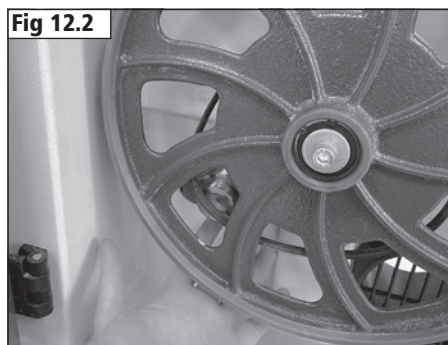
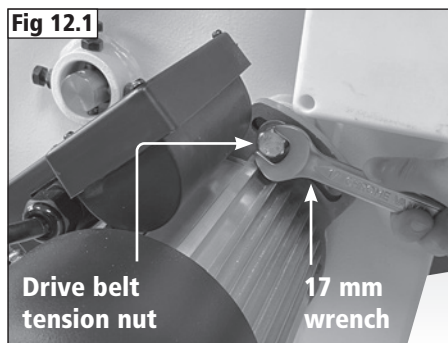
Remove the hex head socket screw with a 6 mm hex wrench and take off the washer from the lower band wheel hub, Fig 12.3.

Carefully pull the wheel from the shaft as shown in Fig 12.4.

The drive belt can now be removed and replaced. Place the new drive belt over the required band wheel pulley as shown in Fig 12.5 and replace the band wheel.



Before replacing the band wheel it is advisable to clean out any build up of sawdust from inside the band wheel box.



12. Maintenance

Ensure that the V grooves of the belt mate with the V grooves of the pulleys as shown in **Fig 12.6**.

Fit the drive belt onto the motor pulley and re-apply the drive belt tension.



The belt is correctly tensioned when it moves no more than approximately 6 mm (1/4") under reasonable pressure. If the belt is slipping the tension must be increased and if it is wearing excessively the tension must be decreased.

The SABRE-300 can run at either 500 m / min or 1000 m / min. The higher speed is suitable for cutting wood and the lower speed is suitable for cutting non-ferrous metals.

To set the machine at the lower speed, position the drive belt on the lower band wheel pulley and motor shaft pulley as shown in **Fig 12.7**.

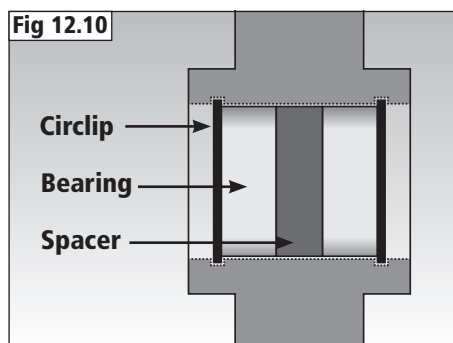
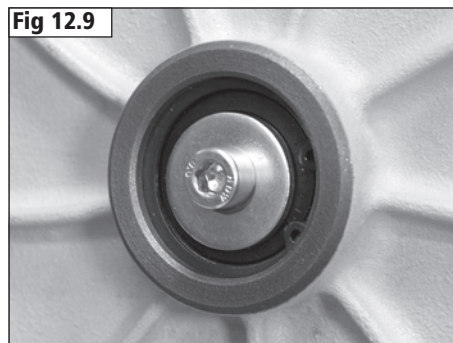
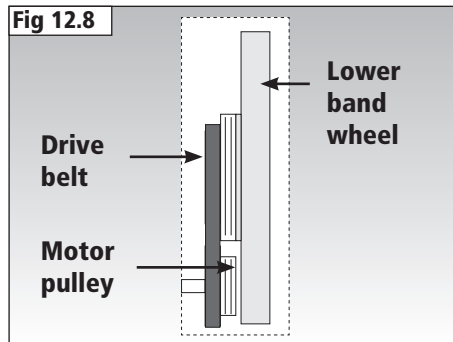
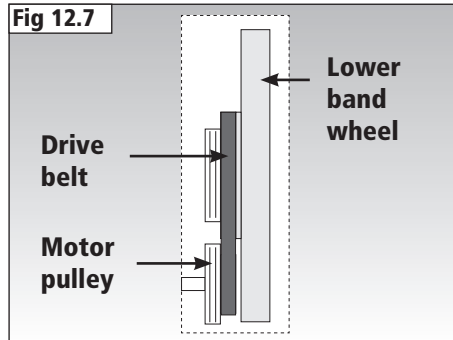
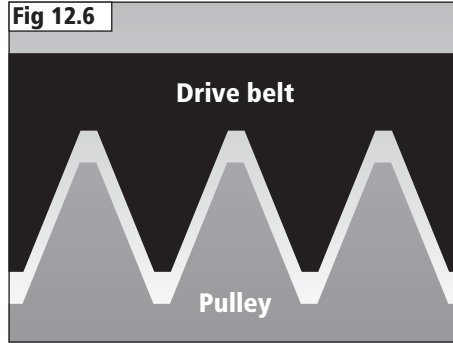
To set the machine at the higher speed, position the drive belt on the lower band wheel pulley and motor shaft pulley as shown in **Fig 12.8**.

Replacing the Band Wheel Bearings

The bandsaw blade and wheels must be removed before replacing the bearings. To remove the lower band wheel follow the instructions in the section **Replacing the Drive Belt**.

To remove the upper band wheel, remove the hex head socket screw with a 6 mm hex wrench and take off the washer from the band wheel hub, **Fig 12.9**. The wheel can now be taken off the shaft.

The wheel hub contains 2 bearings and a spacer. This assembly is held in place on both sides with circlips as shown in **Fig 12.10**.



12. Maintenance

Remove the circlips from the rear and front of the wheel as shown in **Fig 12.11**.

Place the band wheel on 2 blocks of wood as shown in **Fig 12.12** and using a brass drift carefully tap out the bearings and bearing spacer from the inside of the band wheel.

Fit the new bearings either side of the spacer making sure to not hit the centre race of the bearing then re fit the two circlips. Then re-assemble the machine. When replacing use a piece of brass or similar material that is almost the same diameter as the outer race.



Knocking a bearing on the inner race that is a press fit on the outer race may cause instant damage to the bearing.

Replacing Band Wheel Tyres

The band wheels have rubber tyres fitted to protect the teeth of the blade when in use and also provide grip to stop the blade slipping. Regularly inspect the tyres for wear and damage and replace if necessary.

Remove the wheel from the bandsaw and ease the existing tyre from the rim, taking care not to damage the bandwheel.

Place the new tyre in hot water to soften and expand it. This will make it easier to fit onto the wheel.

Carefully fit the new tyre over the wheel and ensure it is placed centrally on the rim over the full circumference of the wheel as shown in **Fig 12.13**.

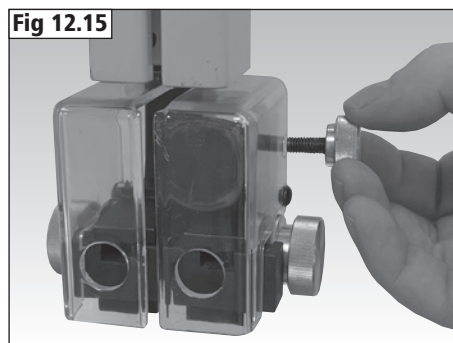
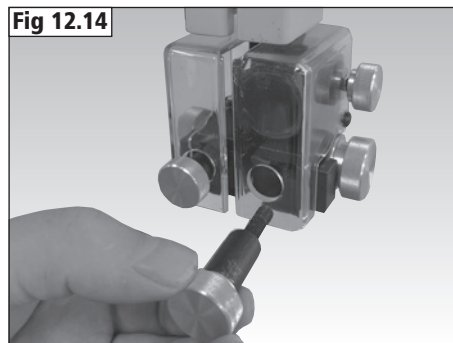
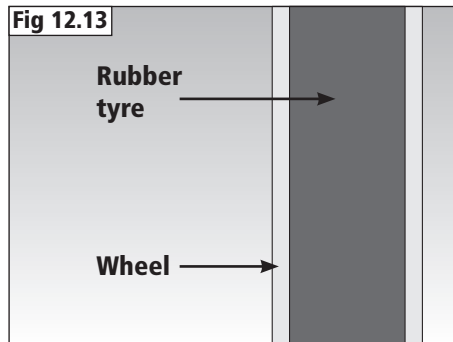
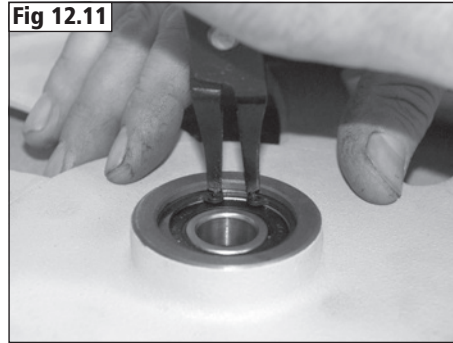
Note: Before the upper and lower blade guides can be replaced, the bandsaw blade must be removed from the machine.

Replacing the Upper Side and Rear Blade Guides

To remove the upper blade guides the plastic guarding must be removed from the guide assembly.

Loosen both side guide locks as shown in **Fig 12.14**, and remove from the guide assembly.

Loosen the rear guide lock knob, as shown in **Fig 12.15**, and remove from the guide assembly.



12. Maintenance

Remove the 2 M4 x 10 hex head screws as shown in **Fig 12.16**, at either side of the guide assembly using a 2.5 mm hex wrench.

The plastic guarding can now be removed from the guide assembly.

The side guide blocks and rear guide can now be removed and replaced as shown in **Fig 12.17** and **Fig 12.18**.

Once all relevant blade guides have been replaced, reverse this process to re-fit the plastic guarding.

Replacing the Lower Side and Rear Blade Guides

To remove the lower blade guides the plastic guarding must be removed from the guide assembly.

Remove the 2 M4 x 10 hex head screws as shown in **Fig 12.19**, at either side of the guide assembly using a 2.5 mm hex wrench.

The side guide blocks and the rear guide can now be removed in the same way as the upper guides.

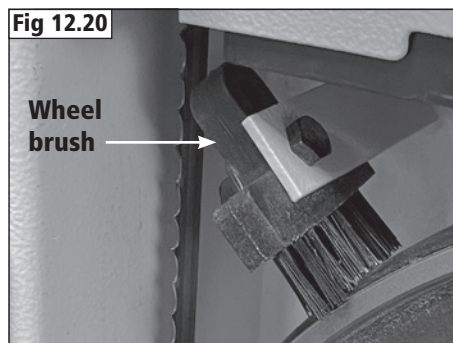
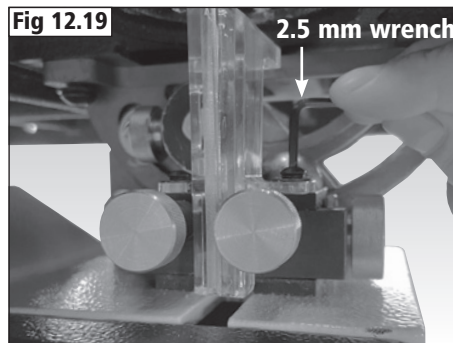
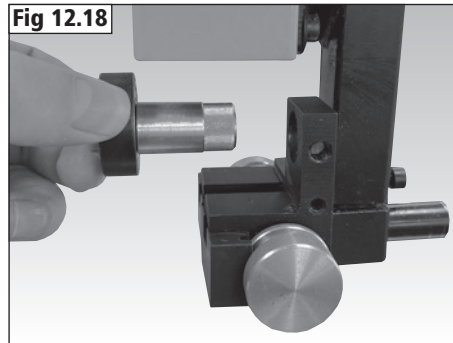
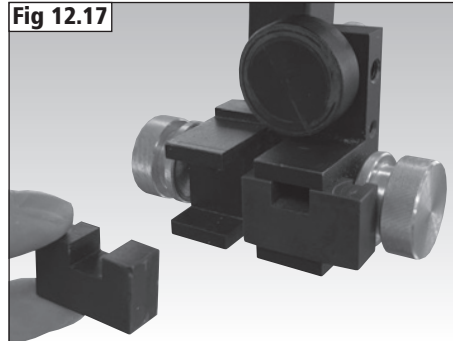
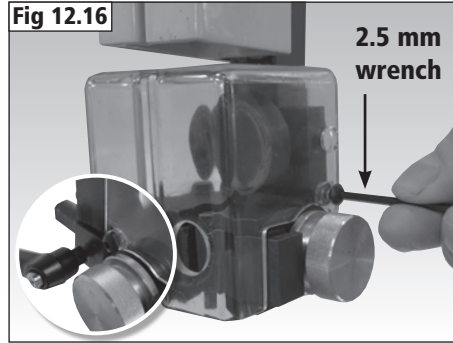
Once all relevant blade guides have been replaced, re-fit the plastic guarding.

Adjusting and Replacing the Band Wheel Brush

The brush is located in the lower band wheel box as shown in **Fig 12.20**.

The purpose of the band wheel brush is to remove sawdust that has been deposited during use.

To replace the brush use a 10 mm wrench to remove the M6 nylon locking nut, washer and M6 x 25 bolt, replace the brush and re-assemble.



12. Maintenance

Changing the Table Insert

The table insert, **Fig 12.21**, is designed to give support to the workpiece and be soft enough to not cause damage to the blade if contact is made. The table insert will need to be replaced periodically as it wears.

Adjusting the Table Insert

If required, fine adjustments can be made to the table insert to align it with the table by rotating the 2 M6 x 5 set screws as shown in **Fig 12.22**, using a 3 mm hex wrench.

Removing the blade before removing the table insert will eliminate the risk of injury from the blade.

Push the table insert up and out from the underside of the table and fit the new table insert by pressing firmly down into place.

Cleaning the Table

Regular cleaning of the table will ensure optimum performance of the machine. Remove all dust and resin using white spirit then coat the table using a dry silicone spray. The silicone spray will repel dust and resin, helping the timber to move freely on the table.

Only apply silicone spray if you are sure it will not affect any surface finish that will be applied to your project afterwards.

Mechanical Motor Brake

The machine is fitted with a mechanical motor brake which should be checked weekly to ensure that it functions correctly.

Test the brake with the blade mounted and correctly tensioned. Allow the machine to run up to full speed and then press the stop button on the switch. The blade should come to a complete stop within 10 seconds of the button being pressed.

If the brake does not function correctly, there are no user serviceable parts within the motor, so the motor unit must be replaced as a complete unit. If a replacement motor is needed, please contact Record Power Ltd or their local representative in your country for further assistance. The expected life of the brake components is 20,000 start/stop cycles.

The machine must not be used if the mechanical brake is not functioning correctly.



Safety Devices

The machine is fitted with two safety micro-switches which should be checked weekly to ensure that they function correctly.

The doors of the machine are fitted with interlocking micro-switches designed to stop the machine if the doors are opened when the machine is in use **Fig 12.23**.

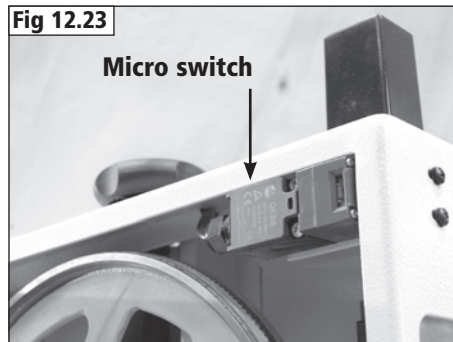
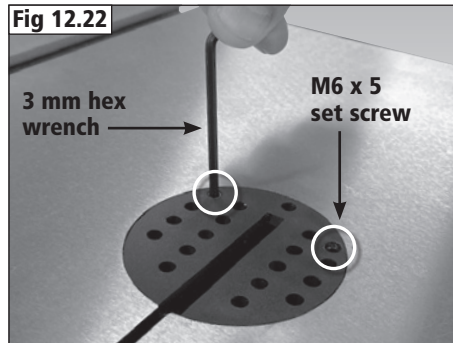
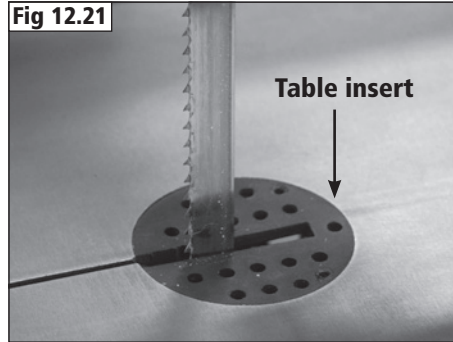
Testing of the micro-switches is best done without the blade fitted to the machine.

To perform the test, first close both doors and start the machine. With the machine running, open the upper door. The machine should stop as the door is opened. If the machine fails to stop, the micro-switch may require adjustment or cleaning in order for it to work correctly. If the micro-switch is found to be faulty, then it must be replaced immediately.

Repeat the same test with the lower door.

Finally, with the machine switched off, open both the upper and lower doors, and attempt to start the machine. The machine should not start. If the machine does start, the micro-switches may be faulty and should be replaced immediately.

If either of the micro-switches is found to be faulty or defective, the machine must not be used until suitable replacement parts have been fitted and proved to be working correctly.



13. Dust Extraction

The Importance of Dust Extraction

Suitable dust extraction is essential to avoid the possibility of serious health problems related to wood dust. It is also necessary in order to ensure the waste producing machine performs safely and effectively. Some woods are extremely toxic and in addition to suitable dust extraction machines it is recommended that PPE such as respirators are also used.

Record Power Dust Extraction Machines

Below is a summary of the Record Power range. Please visit your local stockist or go online for full details.

DX1000 Fine Filter 45 Litre Extractor

45 litre capacity, 1 kW motor, 0.5 micron filtration.

CGV286 CamVac Series Compact Extractor

36 litre capacity, 1 kW single or twin motor, 0.5 micron filtration.

CGV286-3-WALL CamVac Series Wall Mounted Extractor

150 litre capacity, twin motor, 0.5 micron filtration.

CGV336 CamVac Series Medium Extractor

55 litre capacity, 1 kW single or twin motor, 0.5 micron filtration.

CGV386 CamVac Series Large Extractor

90 litre capacity, 1 kW twin or triple motor, 0.5 micron filtration.

CGV486 CamVac Series Heavy Duty Extractor

200 litre capacity, 1 kW triple motor, 0.5 micron filtration.

AC400 2 Stage Air filter with Remote, 3 speeds and Time Delay

Collects airborne dust, 1 micron filtration.

	Bandsaws	Table Saws	Planer Thicknessers	Lathes	Sanding Machines	Dust Extraction Systems	Airborne Dust Collection
DX1000	✓	✓	✓	✓	✓		
CGV286	✓	✓	✓	✓	✓		
CGV286-3-WALL	✓	✓	✓	✓	✓	✓	
CGV336	✓	✓	✓	✓	✓		
CGV386	✓	✓	✓	✓	✓	✓	
CGV486	✓	✓	✓	✓	✓	✓	
AC400							✓

14. Troubleshooting

Problem	Cause	Solution
Will not cut in a straight line.	<ol style="list-style-type: none"> 1. Blade is blunt. 2. Blade guides set too high. 3. Blade tension incorrect. 4. Fence aligned incorrectly. 5. Table aligned incorrectly. 	<ol style="list-style-type: none"> 1. Change blade. 2. Adjust blade guides. 3. Adjust blade tension. 4. Align fence as shown in chapter 8. 5. Align table as shown in chapter 8.
Motor slows down during cutting.	<ol style="list-style-type: none"> 1. Too much pressure being applied. 2. Drive belt slipping. 3. Fence aligned incorrectly. 4. Table aligned incorrectly. 5. Wrong type of blade being used. 	<ol style="list-style-type: none"> 1. Adjust feed rate to suit material being cut. 2. Adjust drive belt tension. 3. Align fence as shown in chapter 8. 4. Align table as shown in chapter 8. 5. Change blade to a suitable type.
Machine only operates when pressure is applied to the on switch.	<ol style="list-style-type: none"> 1. Faulty on switch. 	<ol style="list-style-type: none"> 1. Replace on switch.
Machine buzzes but will not run.	<ol style="list-style-type: none"> 1. Motor capacitor is faulty. 	<ol style="list-style-type: none"> 1. Replace motor capacitor.
Blade cannot be fitted.	<ol style="list-style-type: none"> 1. Blade tension not released. 2. Blade is too small. 	<ol style="list-style-type: none"> 1. Release blade tension using the blade tension lever. Further tension reduction may be need to be performed using the blade tension knob. 2. Ensure the correct length of blade is used.
Blade cannot be tensioned sufficiently.	<ol style="list-style-type: none"> 1. Blade is too long. 	<ol style="list-style-type: none"> 1. Ensure the correct length of blade is used.
Blade will not cut.	<ol style="list-style-type: none"> 1. Blade is upside down. 2. Blade is back to front. 	<ol style="list-style-type: none"> 1. Ensure the teeth of the blade point downwards towards the bandsaw table. 2. Ensure the teeth of the blade point towards the front of the machine.
The bandsaw will not start.	<ol style="list-style-type: none"> 1. No power supply. 2. Faulty on switch. 3. Doors not fully closed. 4. Fuse blown. 5. Faulty motor. 	<ol style="list-style-type: none"> 1. Ensure the machine is connected to a suitable power source. 2. Replace the on switch. 3. Ensure both doors are fully closed. 4. Replace the fuse. 5. Replace the motor with a genuine Record Power motor.
The bandsaw blade does not move when the motor is running.	<ol style="list-style-type: none"> 1. The blade is under insufficient tension. 2. The blade has come off the wheels. 3. The blade has broken. 4. The drive belt has broken. 	<ol style="list-style-type: none"> 1. Ensure sufficient tension is applied to the blade. 2. Re-fit the blade and ensure it is correctly tracked and tensioned. 3. Replace the blade. 4. Replace the drive belt.
The bandsaw will not cut at 45° or 90° to the table.	<ol style="list-style-type: none"> 1. The table angle is incorrectly calibrated. 2. The blade is blunt. 3. Excessive pressure is being applied. 	<ol style="list-style-type: none"> 1. Set the table at 90° to the blade and re-set the angle pointer if necessary. 2. Replace the blade. 3. Reduce feed rate of the workpiece.

15. Electrical Connection and Wiring Diagram

Machines supplied for use in the UK are fitted with a 3 pin plug conforming to BS1363, fitted with a fuse conforming to BS1362 and appropriate to the current rating of the machine.

Machines supplied for use in other countries within the European Union are fitted with a 2 pin Schuko plug conforming to CEE 7/7.

Machines supplied for use in Australia & New Zealand are fitted with a 3 pin plug conforming to AS/NZS3112.

In all cases, if the original plug or connector has to be replaced for any reason, the wires within the mains power cable are colour coded as follows:

230 V (Single Phase)

Brown:	Live (L)
Blue:	Neutral (N)
Green and Yellow:	Earth (E)

The wire coloured brown must always be connected to the terminal marked 'L' or coloured red.

The wire coloured blue must always be connected to the terminal marked 'N' or coloured black.

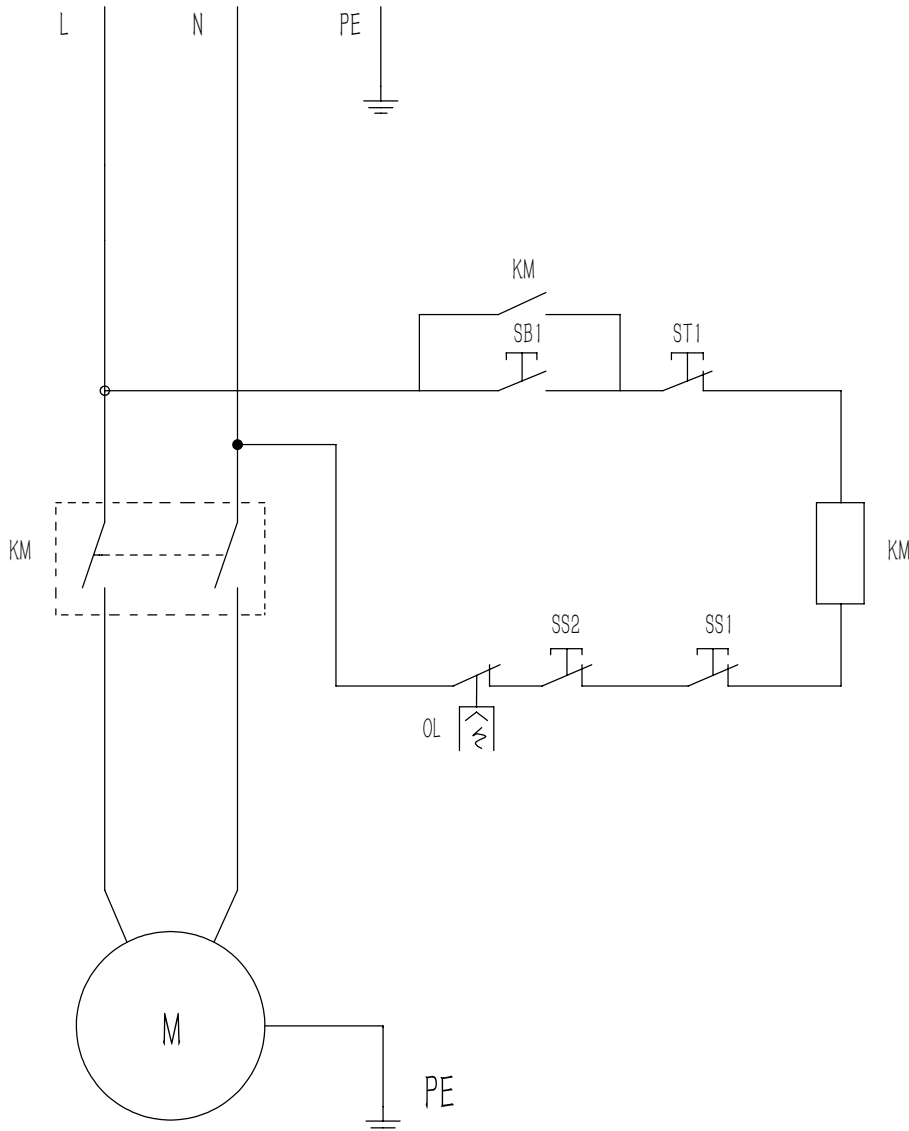
The wire coloured green and yellow must always be connected to the terminal marked 'E' or with the earth symbol:



or coloured green / green and yellow.

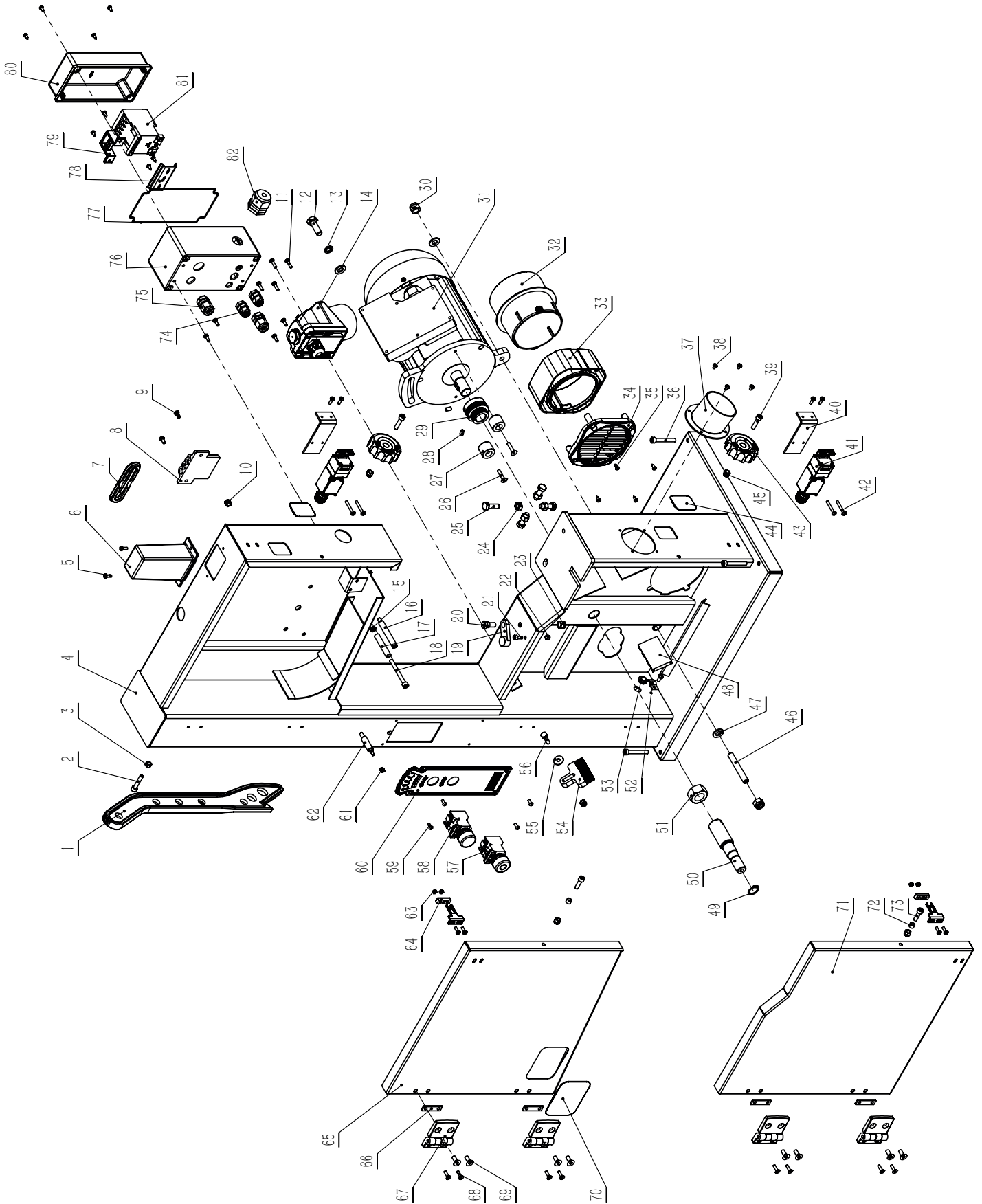
In the case of the BS1363 plug for use in the UK, always ensure that it is fitted with a fuse conforming to BS1362 appropriate to the rating of the machine. If replacing the original fuse, always fit a fuse of equivalent rating to the original. Never fit a fuse of a higher rating than the original. Never modify the fuse or fuse holder to accept fuses of a different type or size.

If a plug conforming to BS1363 is used, the combination of plug and socket shall be protected from water and dust to at least IP44.



16. Parts Diagrams and Lists

Frame Assembly

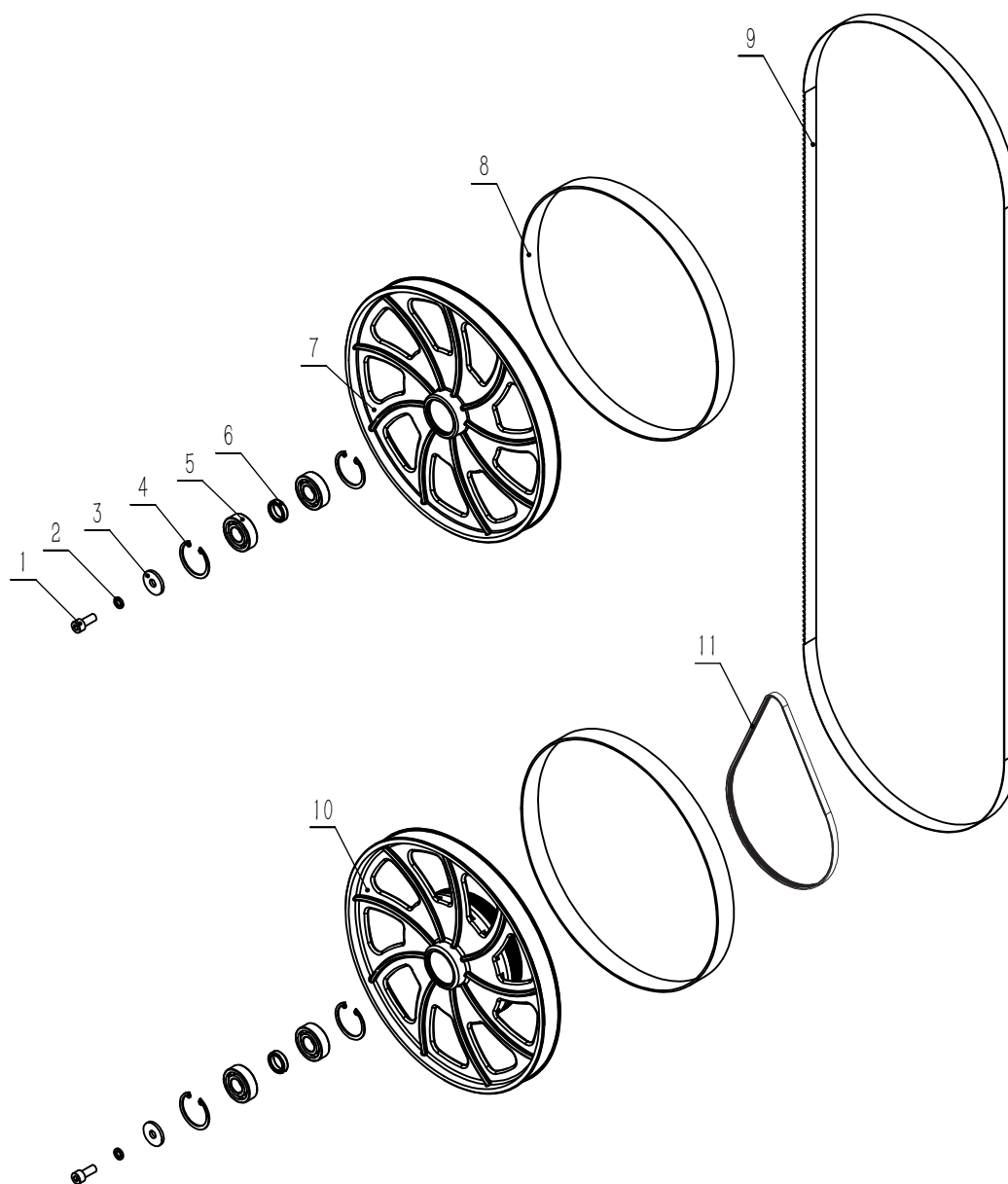


16. Parts Diagrams and Lists

No	Part number	Description	Qty	No	Part number	Description	Qty
1	PS315B130003	Push stick	1	42	M4X30GB818Z	Pan head screw M4X30	4
2	M6X30GB70D1B	Socket head cap screw M6X30	1	43	BS350A010014	Door handle	2
3	M6GB6170B	Hex nut M6	1	44	BS250B010004	View window	2
4	BS300A011000	Frame	1	45	M6GB889D1Z	Hex lock nut M6	3
5	M4X12GB818Z	Pan head screw M4X12	14	46	M10X70GB77Z	Hex socket set screw M10X70	1
6	BS350D010020	Guide post cap	1	47	WSH10GB97D1Z	Flat washer 10	3
7	BS250B010005	Dust board	1	48	RCBS300A010001	Dust board	1
8	BS350A010016	Tool holder	1	49	CLP17GB894D1B	Retaining ring	1
9	M5X10GB818B	Pan head screw M5X10	4	50	BS300A010001	Lower wheel shaft	1
10	M6GB889D1B	Hex lock nut M6	1	51	JL20020004	Hex nut	1
11	M4X16GB818Z	Pan head screw M4X16	4	52	1502014-02	Cable pressing plate	2
12	M10X30GB5783Z	Hex bolt M10X30	1	53	JL60010004	Over wire sheath	2
13	WSH10GB93Z	Washer 10	1	54	JL26010003	Brush	1
14	P224E-13A	Single phase socket plug	1	55	WSH6GB96D1Z	Large washer 6	1
15	M6GB6172D1B	Hex thin nut M6	1	56	M6X25GB5783Z	Hex bolt M6X25	1
16	BS350D010018	Guide post	1	57	LA39-B2-01-r	Stop button	1
17	BS350A010011	Sleeving	1	58	LA39-B2-20-g	Start button	1
18	M6X60GB70D1Z	Socket head cap screw M6X60	1	59	M4X10GB70D2B	Hex socket flat head screw M4X10	4
19	BS350E010014	Heel block	1	60	RCBS300A090001	Switch base plate	1
20	JL26010015	Stud shaft	1	61	M4GB889D1B	Hex lock nut M4	1
21	M5X12GB70D1B	Socket head cap screw M5X12	1	62	BS300A010002	Batter board	1
22	M5GB6170B	Hex nut M5	1	63	M4GB6170Z	Hex nut M4	8
23	M8GB889D1B	Hex lock nut M8	1	64	JL27010017	Thread plate	4
24	M8GB6170Z	Hex nut M8	4	65	BS300A012001	Upper door	1
25	M8X25GB5783Z	Hex bolt M8X25	4	66	BS350A010005A	Thread plate	4
26	M5X25GB70D3B	Hex socket countersunk head screw M5X25	2	67	8101-1025F	Plastic hinge	4
27	FDBS350G090001	Plastic block	2	68	M4X16GB70D3B	Hex socket countersunk head screw M4X16	8
28	M6X10GB77B	Hex socket set screw M6X10	2	69	M6X16GB70D3B	Hex socket countersunk head screw M6X16	8
29	BS300A010003	Motor pulley	1	70	BS450B010004A	Upper door view window	1
30	M10GB889D1Z-17	Hex lock nut M10	2	71	BS300A013001	Lower door	1
31	YYH800112	Motor	1	72	JL26010007	Bush	2
32	RCBS300A010004	Dust port adaptor	1	73	M6X20GB70D1Z	Socket head cap screw M6X20	2
33	RCBS300A010002	Dust port	1	74	LBT-M12-6D5-CE	Cable gland M12	2
34	RCBS300A010003	Grille	1	75	LBT-M16-8-CE	Cable gland M16	2
35	ST3D5X10GB8845Z	Pan head tapping screw	10	76	RCBS300A091001	Relay box	1
36	M6X45GB70D1Z	Socket head cap screw M6X45	4	77	BS300A091002	Sealing strip	1
37	BS250B010011	Dust port	1	78	DAOGUI-60	Guideway	1
38	M4X6GB818Z	Pan head screw M4X5	4	79	BS300A091003	Ground strip	1
39	M6X25GB70D1Z	Socket head cap screw M6X25	2	80	RCBS300A091002	Relay box cover	1
40	BS350A010006A	Micro switch seat	2	81	3RT6018-1AF01	AC Contactor	1
41	QK58	Micro switch	2	82	LBT-M20-10-CE	Cable gland M20	1

16. Parts Diagrams and Lists

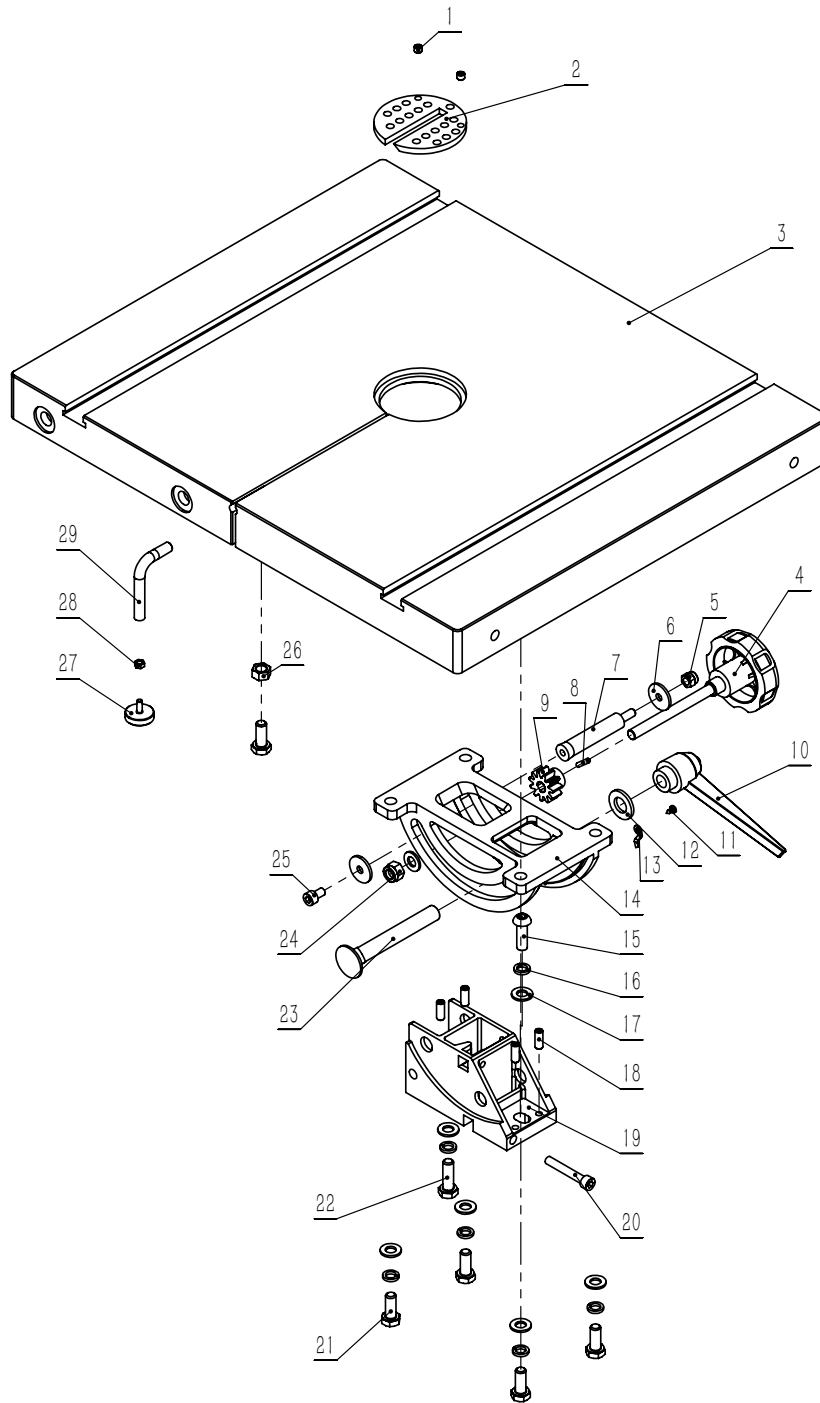
Driving System Assembly



No	Part number	Description	Qty
1	M8X20GB70D1Z	Hex socket head cap screw M8X20	2
2	WSH8GB93Z	Washer 8	2
3	WSH8GB5287Z	Large washer 8	2
4	CLP40GB893D1B	Circlip ring	4
5	BRG6203-2RSGB276	Bearing	4
6	DJL28020004	Bearing spacer	2
7	RCBS300A021001	Upper wheel	1
8	BS300A021001	Tyre	2
9	BS300A020001	Blade	1
10	BS300A022001	Lower wheel	1
11	1-4PJ546GB16588	Poly-V Belt	1

16. Parts Diagrams and Lists

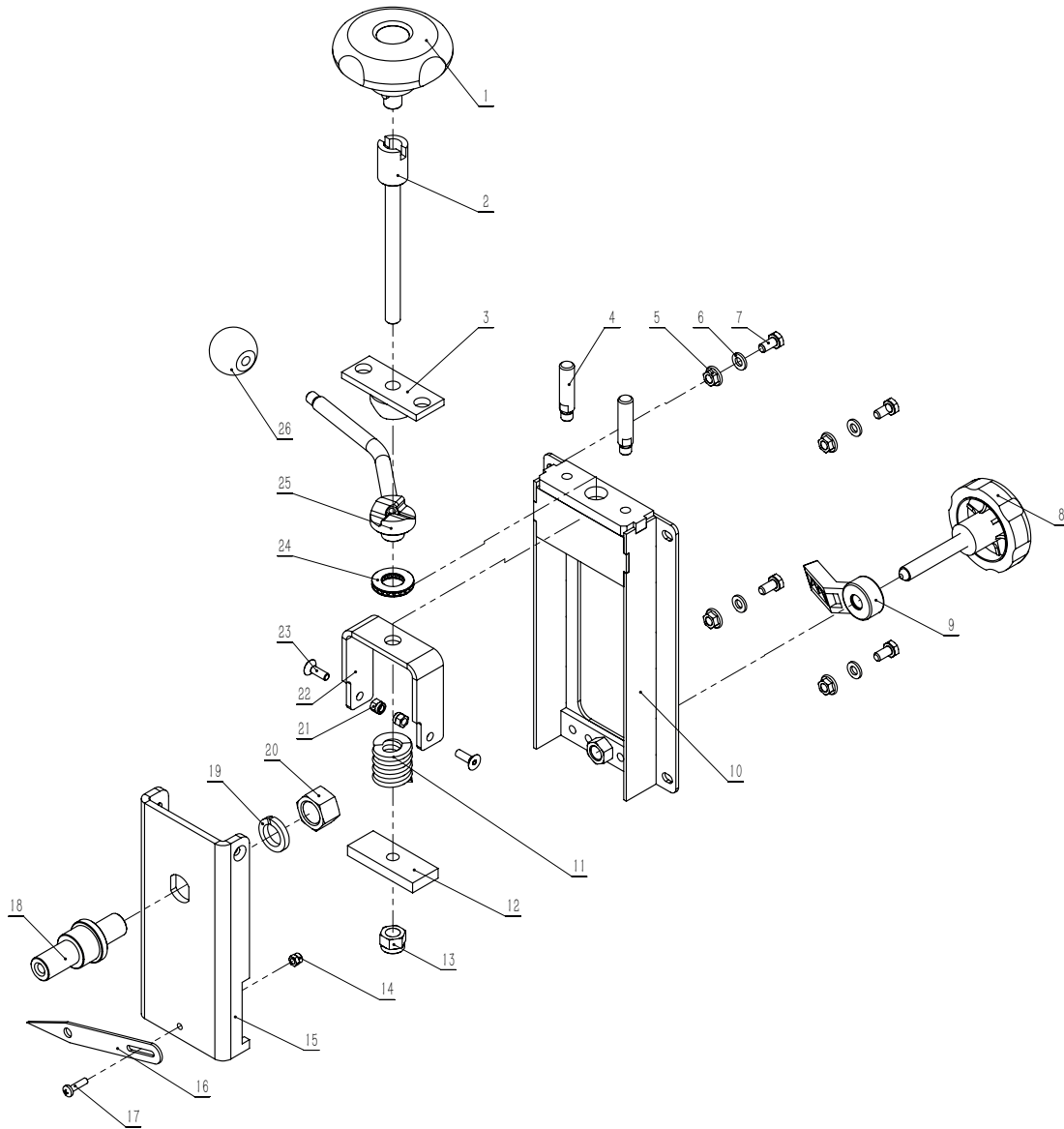
Table Assembly



No	Part number	Description	Qty	No	Part number	Description	Qty
1	M6X5GB77B12D9	Hex socket set screw M6X5	2	16	WSH8GB93B	Washer 8	6
2	JL26050008A-001S	Table insert	1	17	WSH8GB97D1B	Flat washer 8	7
3	RCBS300A031001	Table	1	18	M6X16GB77B	Hex socket set screw M6X16	4
4	JL26050006	Handle	1	19	JL27050004C	Support bracket	1
5	M6GB889D1Z	Hex lock nut M6	1	20	M6X40GB70D1B12D9	Hex socket head cap screw M6X40	1
6	WSH6GB5287Z	Large washer 6	2	21	M8X20GB5783B	Hex bolt M8X20	5
7	DJL28070008B	Guide shaft	1	22	M8X25GB5783B	Hex bolt M8X25	1
8	PIN3X16GB879D1Z	Pin	1	23	M12X90GB801Z	Half round head bolt M12X90	1
9	DJL28070003	Gear	1	24	M8GB889D1B	Hex lock nut M8	1
10	KTSB-1-A-M12X95	Locking handle	1	25	M6X10GB70D1B	Hex socket head cap screw M6X10	1
11	ST2D9X6D5GB845B	Pan head tapping screw	1	26	M8GB6170B	Hex nut M8	1
12	WSH12GB97D1Z	Flat washer 12	1	27	B5350B030003	Magnet	1
13	JL26050005A	Table angle pointer	1	28	M4GB6170Z	Hex nut M4	1
14	JL27050002A	Lower table trunnion	1	29	B5350B030002A	Table support pin	1
15	M8X25GB70D2B	Hex socket screw M8X25	1				

16. Parts Diagrams and Lists

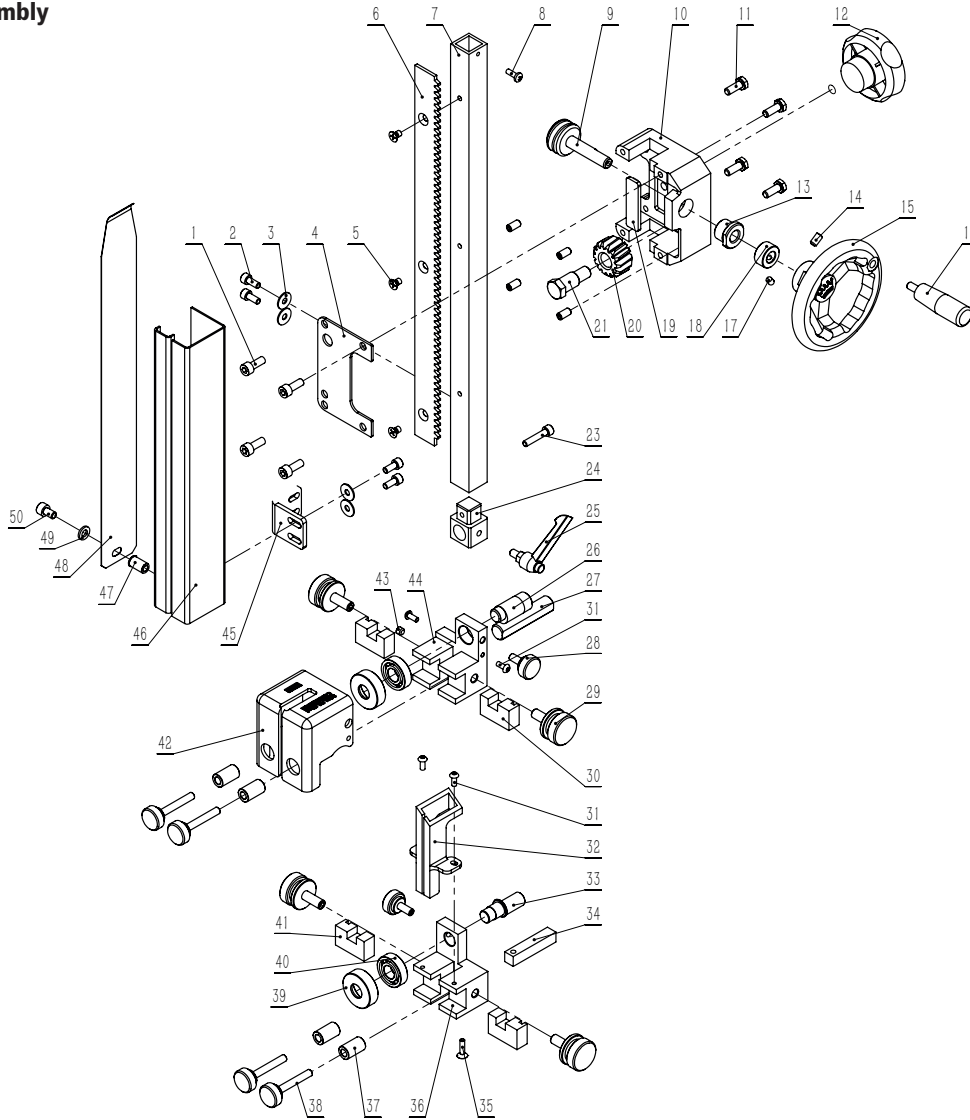
Blade Tension Assembly



No	Part number	Description	Qty	No	Part number	Description	Qty
1	SBWBS-B-80-12X14	Tension knob	1	14	M4GB889D1B	Hex lock nut M4	1
2	BS300A042002	Tension nut	1	15	BS300A041001	Connecting plate	1
3	BS250B041201	Upper cam	1	16	BS300A040003	Pointer	1
4	BS250B041010	Positioning bolt	2	17	M4X16GB818Z	Pan head screw M4X16	1
5	M6GB6177D1B	Hex flange nut M6	4	18	BS300A040001	Upper wheel spindle	1
6	WSH6GB97D1B	Flat washer 6	4	19	WSH16GB93Z	Washer 16	1
7	M6X12GB5783B	Hex bolt M6X12	4	20	M16GB6171B	Hex nut M16	1
8	JL26030015-001S	Adjusting knob	1	21	M5GB889D1B	Hex lock nut M5	2
9	JL26030016-001S	Nut handle	1	22	BS300A041002	Bracket	1
10	BS300A041100	Tension bracket	1	23	M5X16GB70D3Z10D9	Countersunk head screw M5X16	2
11	BS300A041004	Spring	1	24	BRG1528AXKASGB4605	Bearing	1
12	BS300A041003	Locking connecting plate	1	25	BS250B041302	Lower cam	1
13	M10GB889D1B	Hex lock nut M10	1	26	JMBS1402040004-001S	Handle knob	1

16. Parts Diagrams and Lists

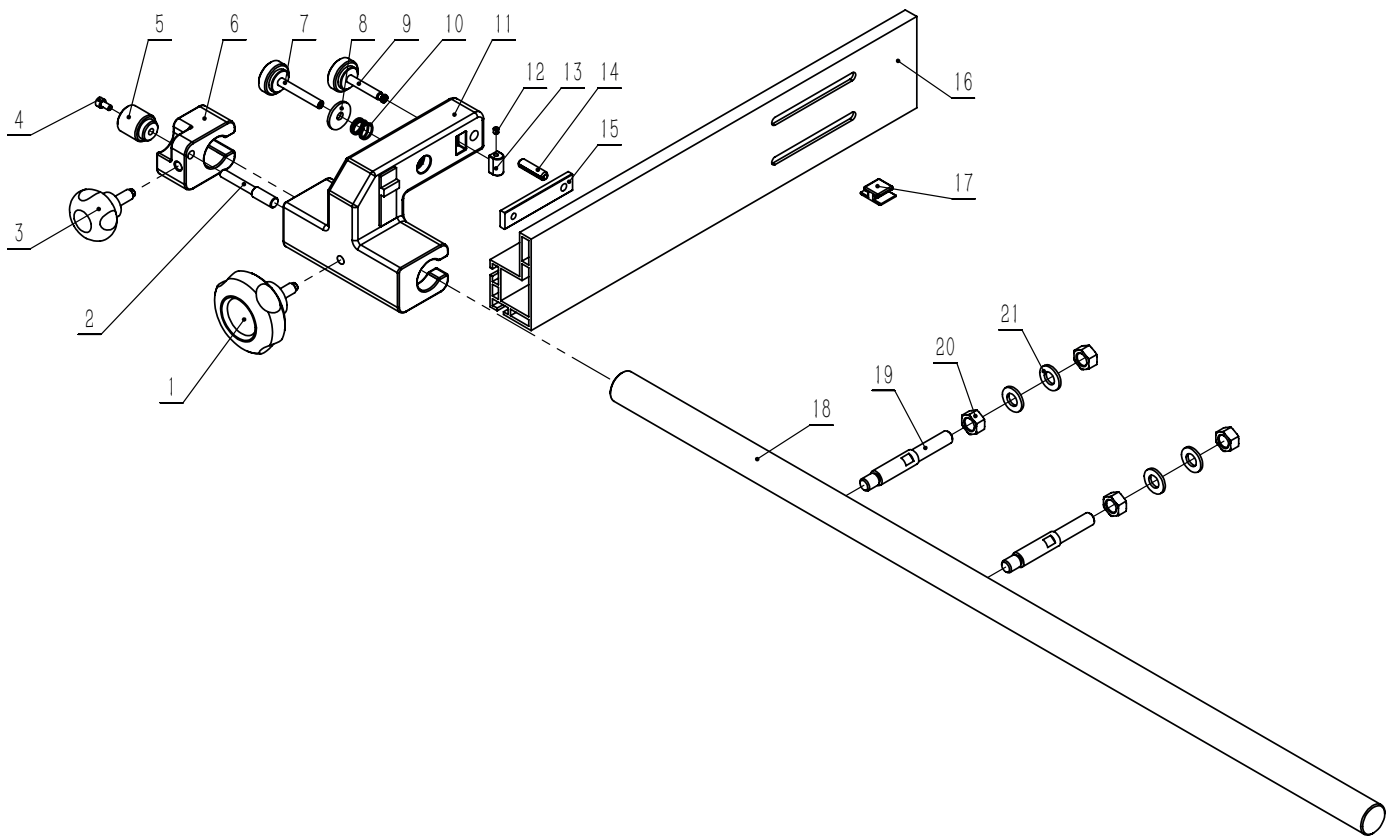
Upper Guide Assembly



No	Part number	Description	Qty	No	Part number	Description	Qty
1	M6X16GB70D1Z	Hex socket head cap screw M6X16	4	26	BS300A051005	Eccentric shaft	1
2	M5X12GB70D1B	Hex socket head cap screw M5X12	4	27	BS300A051009	Guide shaft	1
3	WSH5GB96D1B	Large washer 5	4	28	BS300A051007	Lock handle	2
4	JL27040002A	Guide bracket cover	1	29	BS300A051003	Adjustment knob	4
5	M5X8GB819D1B	Countersunk head screw M5X8	3	30	RCBS300A051003	Slide block	2
6	BS300A050001	Rack	1	31	M4X10GB70D2B	Hex socket flat head screw M4X10	4
7	BS300A050002	Slider bar	1	32	RCBS300A050002	Lower guide cover	1
8	M4X12GB818B	Pan head screw M4X12	1	33	BS300A052002	Eccentric shaft	1
9	JL27040004	Worm cylinder	1	34	BS300A052001	Fixed shaft	1
10	JL27040006	Guide bracket	1	35	M4X16GB70D3B	Hex countersunk head screw M4X16	1
11	M6X16GB5783B	Hex bolt M6X16	4	36	RCBS300A052001	Lower guide	1
12	SBWBS-S-65-M8X25	Lock handle	1	37	BS300A051008	Bushing	4
13	DJL27040003	Bushing	1	38	BS300A051004	Lock handle	4
14	M6X10GB77B	Hex socket set screw M6X10	1	39	BS300A052003	Turncap	2
15	SGSL-D100-d10B	Crank handwheel	1	40	BRG6001-2RSGB276	Bearing	2
16	JL26020014B-001S	Small handle	1	41	RCBS300A051002	Slide block	2
17	M5X8GB71B	Set screw M5X8	1	42	RCBS300A050001	Upper guide shield	1
18	JL20010015	Set screw collar	1	43	M6X5GB77B12D9	Hex socket set screw M6X5	1
19	JL26040007	Fixed plate	1	44	RCBS300A051001	Upper guide	1
20	D1501006	Gear	1	45	BS300A050004	Connecting plate	1
21	JL26040006	Screw	1	46	BS300A053000	Saw blade guard	1
22	M6X12GB77B	Hex socket set screw M6X12	4	47	M6X15GB17880D3Z	Countersunk head riveted nut M6X15	1
23	M5X25GB70D1B	Hex socket head cap screw M5X25	1	48	BS300A050003	Spring piece	1
24	JL27040005C	Upper guide support block	1	49	WSH6GB97D1B	Flat washer 6	1
25	KTSB-1-B-M6X50X10	Lock handle	1	50	M6X10GB70D1B	Hex socket head cap screw M6X10	1

16. Parts Diagrams and Lists

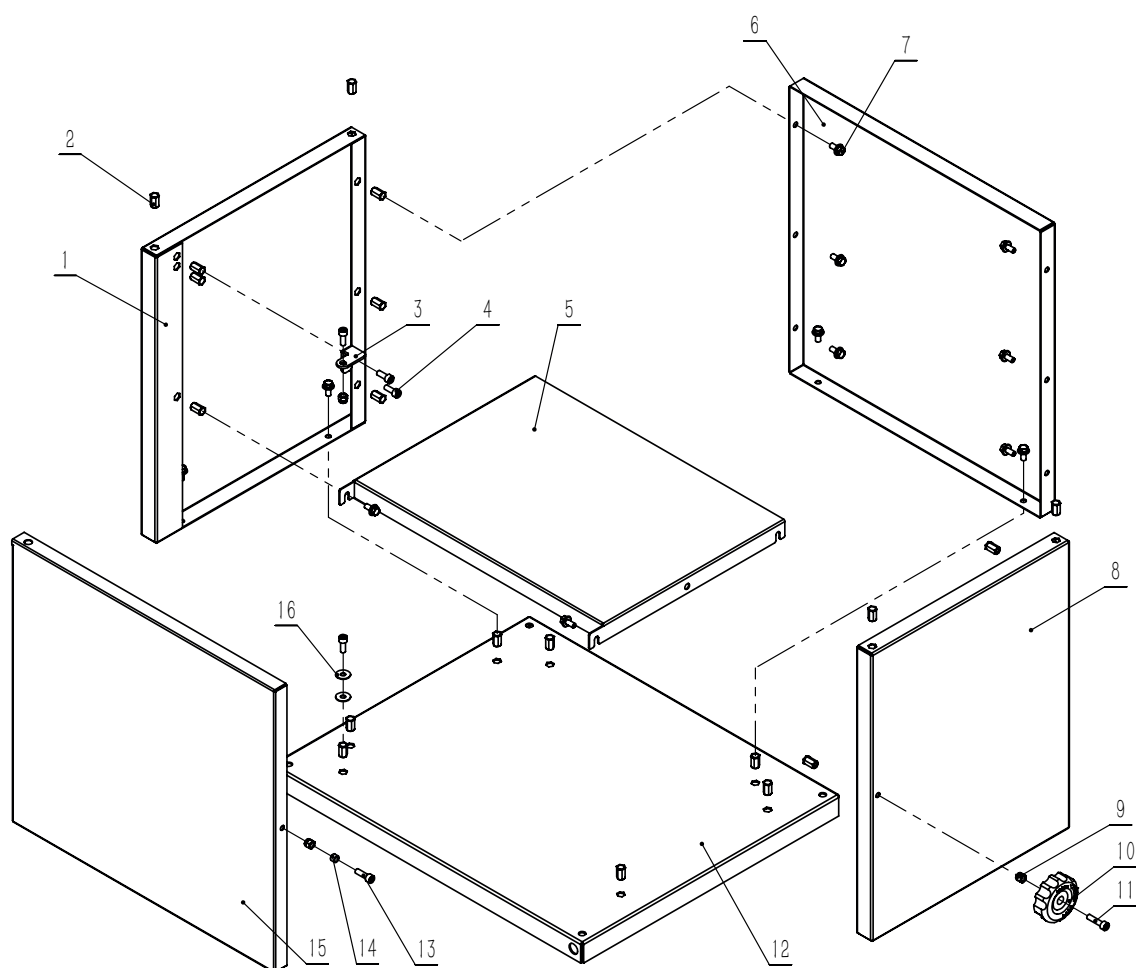
Rip Fence Assembly



No	Part number	Description	Qty
1	SBWBS-B-65-M8X22	Locking handle	1
2	BS300A062003	Adjustment handle column	1
3	SBWBS-B-40-M8X22	Locking handle	1
4	M4X8GB70D1Z	Hex socket head cap screw M4X8	1
5	BS300A062002	Clamp knob	1
6	RCBS300A062002	Adjustment handle bracket	1
7	BS300A062008	Locking handle	1
8	WSH6GB5287Z	Large washer 6	1
9	BS300A062010	Locking handle	1
10	BS350C014005	Spring	1
11	RCBS300A062001	Fence carrier	1
12	M4X5GB78B	Set screw M4X5	1
13	RCBS300A062003	Top block	1
14	PIN6X26GB879D1B	Pin	1
15	BS300A062001	Locking plate	1
16	BS300A062006	Fence	1
17	RCBS300A062004	Nylon plate	1
18	BS300A061001	Guide rail	1
19	JXBS2001060003	Connecting rod	2
20	M10GB6170B	Hex nut M10	4
21	WSH10GB97D1B	Flat washer 10	4

16. Parts Diagrams and Lists

Cabinet Base Assembly



No	Part number	Description	Qty
1	BS300A100002	Left side panel	1
2	XCTQLJMLM-M6X16	Countersunk head rivet nut M6X16	21
3	BS300A100007	Fixed plate	1
4	M6X16GB70D1Z	Hex socket head cap screw M6X16	4
5	BS300A100005	Beam	1
6	BS300A100003	Back side panel	1
7	M6X12GB5789Z	Hex flange bolt M6X12	14
8	BS300A100004	Right side panel	1
9	M6GB889D1Z	Hex lock nut M6	3
10	BS350A010014	Handle	1
11	M6X25GB70D1Z	Hex socket head cap screw M6X25	1
12	BS300A100001	Base board	1
13	M6X20GB70D1Z	Hex socket head cap screw M6X20	1
14	DJL26010007	Bushing	1
15	BS300A100006	Cabinet base door	1
16	YDP-6D4X18X1	Washer	2

EC Declaration of Conformity

Cert No: EC / SABRE300 / 2

Record Power Ltd
Centenary House
11 Midland Way
Barlborough Links
Chesterfield
Derbyshire
S43 4XA
United Kingdom

declares that the machinery described:

1. Type: Bandsaw
2. Model No: SABRE300
3. Serial No: Engineering Sample



Will conform with the following standards:

MACHINERY DIRECTIVE: 2006/42/EC
ADDITIONAL USED EC DIRECTIVES: EMC Directive 2014/30/EU
USED HARMONIZED STANDARDS: EN 1807-1:2013, EN 60204-1:2018;
EN60034-1:2010, EN IEC 60034-5:2020
EN60034-11:2004
EN IEC 55014-1:2021
EN IEC 61000-3-2:2019+A1,
EN 61000-3-3:2013+A1+A2,
EN IEC 55014-2:2021

and complies with the relevant essential health and safety requirements and conforms to the machinery example for which the EC Type-Examination certificate number(s)

BM50592245 0001 and **AE50597967 0001**

have been issued at:

TÜV Rheinland LGA Products GmbH, Tilystraße 2, 90431 Nürnberg, Germany

Signed.....Dated: 08/09/2023

Andrew Greensted
Managing Director

Technical file held by Andrew Greensted, Record Power Ltd, Centenary House, 11 Midland Way, Barlborough Links, Chesterfield, Derbyshire, S43 4XA, United Kingdom

EC	REP	Record Power B.V., Verlengde Poolseweg 16, 4818 CL BREDA, Netherlands, Tel: +31 76 52 44 766
----	-----	--



RECORD POWER

ESTABLISHED 1909®

Woodworking Machinery and Accessories

Record Power Ltd, Centenary House, 11 Midland Way, Barlborough Links, Chesterfield, Derbyshire S43 4XA

Tel: +44 (0) 1246 571 020 Fax: +44 (0) 1246 571 030 www.recordpower.co.uk

To register a product and find your local stockist visit

recordpower.info

Made in China