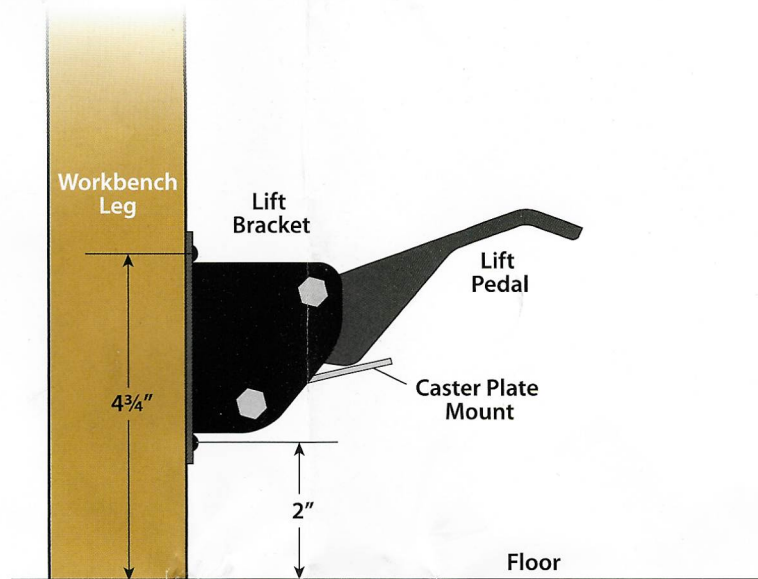


# Workbench Caster Mounting Instructions



## Installation Instructions:

1. Mark your drill points on the workbench leg at the 2" and 4-3/4" marks respectively
2. Drill the pilot holes on the workbench leg.
3. Attach the lift bracket and pedal to the workbench leg using the wood screws provided.
4. Attach the casters to the lift bracket assembly using the nuts and lock washer that are provided.

*Please Note: You may need to remove the caster wheel from the caster plate to attach and secure the lift bracket to the workbench leg.*

## Other General Applications

The Workbench Casters can be used on many different tables or stands other than workbenches. This includes router table stands, lathe stands or anywhere in your shop where you need mobility for a larger item. When installing the casters on metal stands you will need to use nuts, bolts and washers (*not included*) to properly secure the assembly. The same process as shown above should be followed.

